

Accelerometer/charge amplifier system

376/CC701HT

SPECIFICATIONS

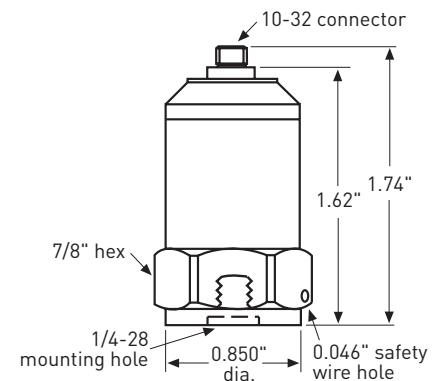
Sensitivity, $\pm 10\%$, 25°C	100 mV/g
Acceleration range	50 g peak
Amplitude nonlinearity, to 50 g	1%
Frequency response:	$\pm 10\%$ 2 - 10,000 Hz ± 3 dB 1 - 15,000 Hz
Resonance frequency	30 kHz
Transverse sensitivity	5% of axial
Temperature response:	-50°C -10% +260°C +20%
Power requirement:	
Voltage source	18 - 30 VDC
Current regulating diode	2 - 10 mA
Electrical noise, equiv. g:	
Broadband	0.001 g peak
Output impedance	<100 Ω
Bias output voltage	12 VDC
Grounding	ground isolated
Temperature range:	
376	-50° to +260°C
CC701HT	-40° to 100°C
Vibration limit	500 g peak
Shock limit	5,000 g peak
Base strain sensitivity	0.002 g/ μ strain
Sensing element design	PZT, compression
Weight:	
376	75 grams
CC701HT	40 grams
Case material	316L stainless steel
Mounting	1/4-28 tapped hole
Mating connector	BNC jack
Standard cabling	R1-1-J3

Accessories supplied: SF6 mounting stud; calibration data (level 3)

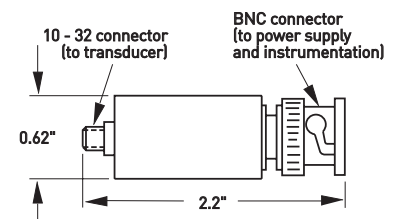


Key features

- Industrial ruggedness
- Charge output
- 260°C operation
- Manufactured in ISO 9001 facility



Model 376



Model CC701HT

Connections	
Function	Connector pin
power/signal	pin
common	shell



Note: Due to continuous process improvement, specifications are subject to change without notice. This document is cleared for public release.

Mouser Electronics

Authorized Distributor

Click to View Pricing, Inventory, Delivery & Lifecycle Information:

[Amphenol:](#)
[376/CC701HT](#)