

WE RECOMMEND THESE CONNECTORS FOR OPTIMAL SERVICE LEVEL



- SHORT LEAD-TIMES
- LOW MOQs
- QUICK SAMPLING
- AVAILABLE AT DISTRIBUTION

Preferred Part	
75869-101LF	75869-105LF
75869-102LF	75869-106LF
75869-103LF	75869-108LF
75869-104LF	75869-131LF

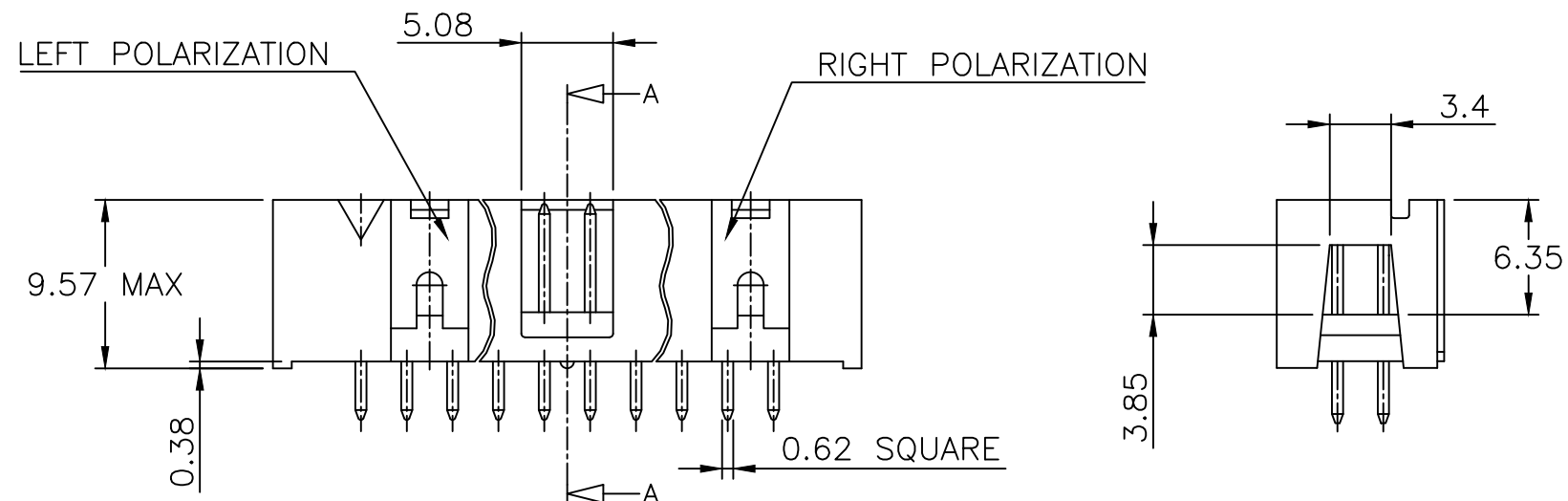
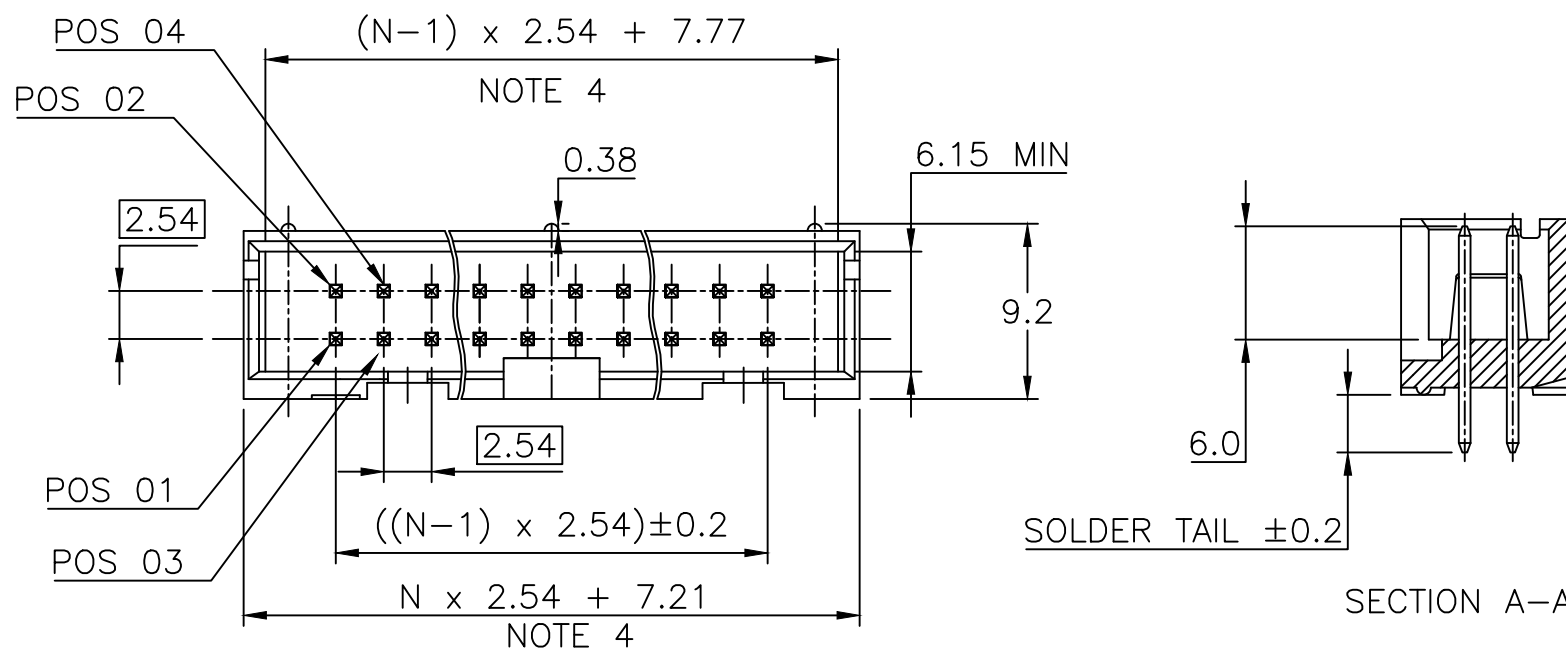
PLATING :
 0.76µm GOLD/GXT ON CONTACT AREA
 2µm MIN MATTE TIN ON TAIL
 UNDERPLATING : 1.27µm Ni MIN

RoHS COMPATIBLE, SEE NOTE 5

PIN STYLE

NOTES:

- 1a - HOUSING MAT'L : GLASS FILLED THERMOPLASTIC. UL94V-0 COLOR: BLUE PART MEETS WITH GWT (725°C;960°C)
- 1b - HIGH TEMPERATURE PLASTIC 30% GLASS REINFORCED NON HALOGEN FLAME RETARDED MOLDING COMPOUND COLOR BLACK
- 2 - PIN MATERIAL : PHOSPHOR BRONZE
- 3 - PACKAGING :
 POLYBAGS FROM 2X02 TO 2X04 POSITIONS
 TUBE FROM 2X05 TO 2X32 POSITIONS
- 4 - TO DETERMINE DIMENSIONS :
 N = NUMBER OF POSITIONS PER ROW
 EXAMPLE : 8 POS N x 2.54 = 20.32mm
- 5 - RoHS COMPATIBLE PRODUCT SPECIFICATIONS
 - a - PLATING:
 - "LF" MEANS THE PRODUCT IS LEAD-FREE, 2µm MINIMUM MATTE TIN OVER 1.27µm MINIMUM NICKEL UNDERPLATING.
 - b - MANUFACTURING PROCESS COMPATIBILITY
 - THE HOUSING WILL WITHSTAND EXPOSURE TO 260°C ±5°C SOLDER BATH TEMPERATURE FOR 5 SECONDS IN A WAVE SOLDER APPLICATION WITH A 1.6mm MIN THICK CIRCUIT BOARD.
 - c - LABELLING:
 - MEETS PACKAGING SPECS AS PER GS-14-920
 - d - LEGAL STATEMENT: SEE GS-47-0004
- 6 - THIS PART SERIES IS NOT INITIALLY INTENDED FOR AUTOMOTIVE APPLICATIONS. ADDITIONAL FEES ARE CHARGEABLE FOR ANY ADDITIONAL QUALIFICATION AND TEST REPORTS PERFORMED OUTSIDE THE SCOPE OF THE STANDARD PRODUCT SPECIFICATIONS.
- 7 - UNLESS OTHERWISE APPROVED BY AMPHENOL, ALL PARTS AND COMPONENTS ARE DESIGNED & BUILT ACCORDING TO AMPHENOL'S SPECIFICATIONS WHICH ARE SUBJECT TO CHANGE WITHOUT NOTICE.



mat'l. code		surface		tolerance		projection		product family	
SEE NOTES		ISO 1302		ISO 406 ISO 1101		mm		QUICKIE	
ltr	ecn no	dr	date	tolerances unless otherwise specified				title	
BT	F-49191	DDE	23.09.05	angles	linear	.x ±0.3		SHR L P HEADER STR DR TMT	
BU	F-49941	DDE	23.11.29			.xx ±0.15			
BV	F-54430	DDE	25.01.24			.xxx ±0.05			
		dr	D.LE	01.01.24		scale 5:1		dwg no sheet 1 of 3 size	
BP	B-19070	LMU	14.10.15	enr	JM.C	01.01.24		75869 A3	
BR	B-20087	AMA	15.01.26	chr	JF.N	01.01.24		type CUSTOMER Drawing	
BS	F-43374	DDE	21.12.22	appd	JM.C	01.01.24			
sheet	revision	BR	BH	M					
index	sheet	1	2	3					

EXTENDED RANGE

STANDARD APPLICATION

PIN STYLE	NUMBER OF POSITIONS	SOLDER TAIL REF	LEFT POLARIZATION	RIGHT POLARIZATION
30	2 x 2	3.05	NO	NO
31	2 x 3	3.05	NO	NO
32	2 x 4	3.05	NO	NO
01	2 x 5	3.05	NO	YES
20	2 x 6	3.05	NO	YES
02	2 x 7	3.05	NO	YES
03	2 x 8	3.05	YES	YES
21	2 x 9	3.05	YES	YES
04	2 x 10	3.05	YES	YES
05	2 x 13	3.05	YES	YES
33	2 x 15	3.05	YES	YES
06	2 x 17	3.05	YES	YES
07	2 x 20	3.05	YES	YES
08	2 x 25	3.05	YES	YES
09	2 x 30	3.05	YES	YES
10	2 x 32	3.05	YES	YES

NOT TOOLED

PRODUCT NUMBER

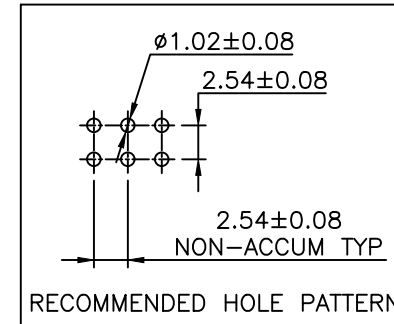
75869-YXXHFLF

RoHS COMPATIBLE, SEE NOTE 5

OPTION LETTER, NOTE 1b, OMIT FROM PRODUCT NUMBER IF NOT APPLICABLE (AS AVAILABLE)

PIN STYLE, SEE SHEET 2 & 3 (AS AVAILABLE)

PLATING SEE SHEET 2 & 3 (AS AVAILABLE)



PLATING : (AS AVAILABLE)

1 = 0.76 μ m GOLD/GXT
(PdNi WITH GOLD FLASH) ON CONTACT AREA
2 μ m MIN MATTE TIN ON TAIL

2 = 2 μ m TIN MIN FULL PLATED

3 = 0.38 μ m GOLD/GXT
(PdNi WITH GOLD FLASH) ON CONTACT AREA
2 μ m MIN MATTE TIN ON TAIL

UNDERPLATING : 1.27 μ m Ni MIN

mat'l. code SEE NOTES				surface ISO 1302 <input checked="" type="checkbox"/>		tolerance ISO 406 ISO 1101		projection 		product family QUICKIE	
ltr	ecn no	dr	date	tolerances unless otherwise specified				title			
BC	F08-0137	LMU	08.03.10	angles	linear	.x ± 0.3 .xx ± 0.15 .xxx ± 0.05		mm		SHR L P HEADER STR DR TMT	
BD	F08-0146	YOV	08.04.11					scale 5:1		dwg no	
BE	B-19091	LMU	14.10.16							sheet 2 of 3	
BF	F-49191	DDE	23.09.05	dr	D.LE	01.01.24				size	
BG	F-49941	DDE	23.11.29	enfr	JM.C	01.01.24				A3	
BH	F-54430	DDE	25.01.24	chr	JF.N	01.01.24				75869	
				appd	JM.C	01.01.24				type	
										CUSTOMER Drawing	
sheet index	revision sheet										

SPECIFIC APPLICATION

EXTENDED RANGE

PIN STYLE	NUMBER OF POSITIONS	SOLDER TAIL REF	PIN MISSING	LEFT POLARIZATION	RIGHT POLARIZATION
65	2x02	4.10		NO	NO
44	2x03	3.05	PIN 2	NO	NO
40	2x03	3.05	PIN 6	NO	NO
51	2x03	7.60		NO	NO
41	2x04	3.05	PIN 1	NO	NO
55	2x04	3.05	PIN 8	NO	NO
64	2x04	4.10		NO	YES
67	2x05	4.10		NO	YES
59	2x05	3.05	PIN 1,2,9,10	NO	YES
* 69	2x05	3.05	PIN 8	NO	YES
60	2x05	3.05	PIN 9	NO	YES
37	2x07	3.05	PIN 1	NO	YES
13	2x07	3.05	PIN 3	NO	YES
14	2x07	3.05	PIN 5	NO	YES
46	2x07	3.05	PIN 6	NO	YES
12	2x07	3.05	PIN 7	NO	YES
57	2x07	3.05	PIN 12	NO	YES
11	2x07	3.05	PIN 13	NO	YES
56	2x07	3.05	PIN 14	NO	YES
66	2x07	4.10		NO	YES
43	2x08	3.05	PIN 6 & 7	YES	YES
38	2x10	3.05	PIN 2	YES	YES
34	2x10	3.05	PIN 15	YES	YES
58	2x10	3.05	PIN 18	YES	YES
63	2x10	7.60		YES	YES
35	2x13	3.05	PIN 26	YES	YES
25	2x13	7.60		YES	YES
54	2x15	7.60		YES	YES
19	2x15	4.10		YES	YES
17	2x17	3.05	PIN 3	YES	YES
39	2x17	3.05	PIN 5	YES	YES
68	2x17	4.10		YES	YES
26	2x17	7.60		YES	YES
15	2x20	3.05	PIN 8	YES	YES
16	2x20	3.05	PIN 17	YES	YES
18	2x20	3.05	PIN 20	YES	YES
36	2x20	3.05	PIN 37	YES	YES
45	2x20	3.05	PIN 25,27,28	YES	YES
27	2x20	7.60		YES	YES
42	2x25	3.05	PIN 25	YES	YES
28	2x25	7.60		YES	YES
62	2x25	4.10		YES	YES



PLATING : (AS AVAILABLE)

1 = 0.76µm GOLD/GXT
(PdNi WITH GOLD FLASH) ON CONTACT AREA
2µm MIN MATTE TIN ON TAIL

2 = 2µm TIN MIN FULL PLATED

3 = 0.38µm GOLD/GXT
(PdNi WITH GOLD FLASH) ON CONTACT AREA
2µm MIN MATTE TIN ON TAIL

UNDERPLATING : 1.27µm Ni MIN

mat'l. code		surface		tolerance		projection		product family	
SEE NOTES		ISO 1302 ✓		ISO 406 ISO 1101				QUICKIE	
ltr	ecn no	dr	date	tolerances unless otherwise specified		mm		title	
H	B-18120	LMU	14.07.10	angles	linear	.x ±0.3 .xx ±0.15 .xxx ±0.05		SHR L P HEADER STR DR TMT	
J	B-19091	LMU	14.10.16			scale 5:1		dwg no	
K	B-20087	AMA	15.01.26					sheet 3 of 3	
L	F-43374	DDE	21.12.22	dr	L.MULIN	02.01.29		size	
M	F-54430	DDE	25.01.24	engr	J.COMPAGNON	02.01.29		A3	
				chr	JF.NOTTEAU	02.01.29		75869	
G	F12-0086	JCO	12.07.17	appd	J.COMPAGNON	02.01.29		type CUSTOMER Drawing	
sheet	revision								
index	sheet								

Amphenol FCI FCIconnect.com

Copyright FCI

Mouser Electronics

Authorized Distributor

Click to View Pricing, Inventory, Delivery & Lifecycle Information:

[Amphenol:](#)

[75869-701LF](#) [75869-320LF](#)