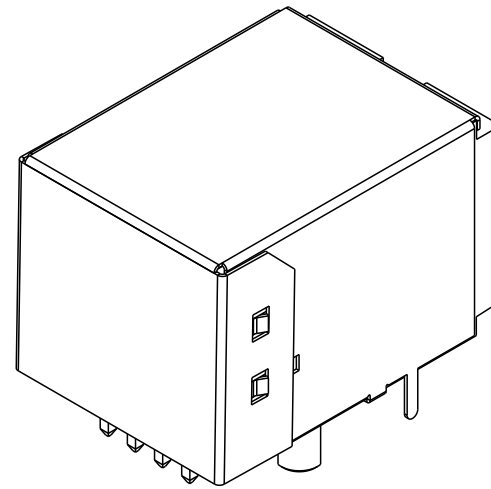
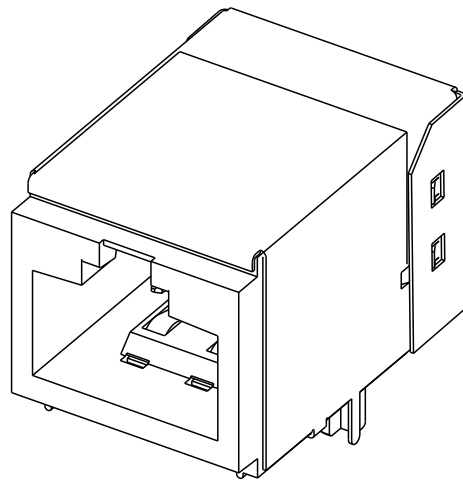


PRODUCT NUMBER
74355



Copyright FCI.

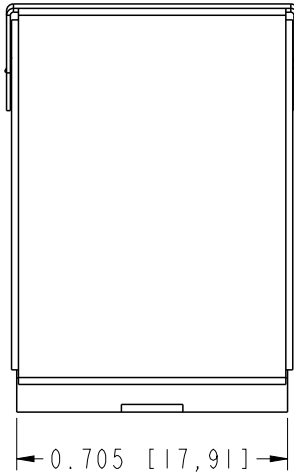
spec ref		-		dr	Keen Wu	2010/11/05	projection 	INCH/MM 	size	A4	scale	2:1
tolerance std		TOLERANCES UNLESS OTHERWISE SPECIFIED		eng	Henry Guo	2014/03/24			ecn no	ELX-N-17279-1		
ISO1101 ISO406				chr	-	-			rel level	Released		
surface		linear	0.X	±.01/0.25	FCI 	title	2X4 LNL SHIELDED HEADER ASSEMBLY	dwg no	74355	rev	S	
ISO1302			0.XX	±.005/0.13								
			0.XXX	±.0020/0.05								
		angular	0°	±2°	www.fci.com	cat. no.	-	Product - Customer Drw		sheet 1 of 5		

Prod File - REV C - 2009-06-09

PRODUCT NUMBER
74355

A

B

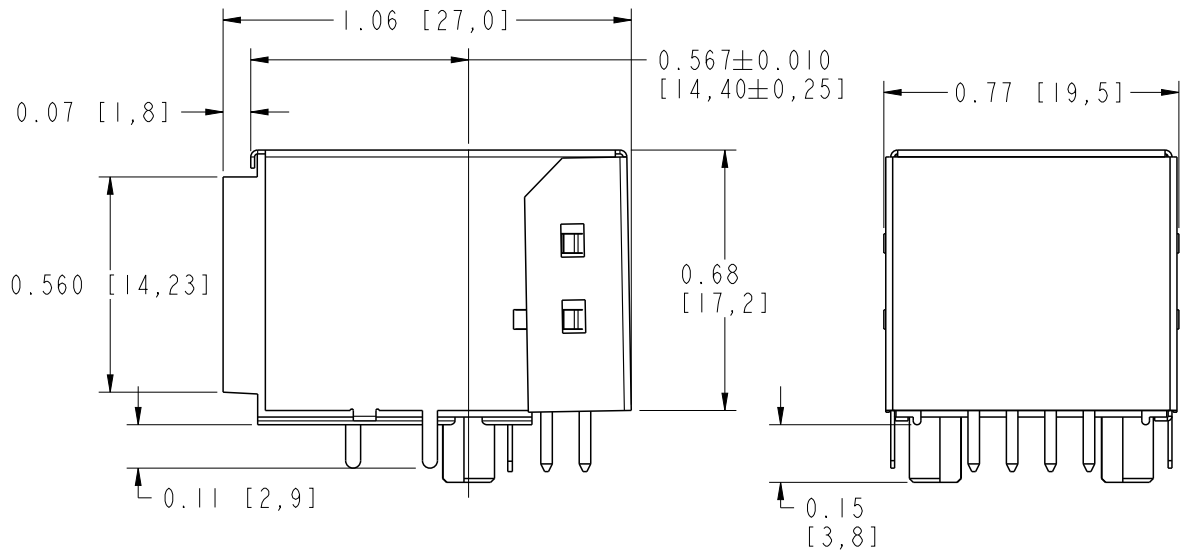
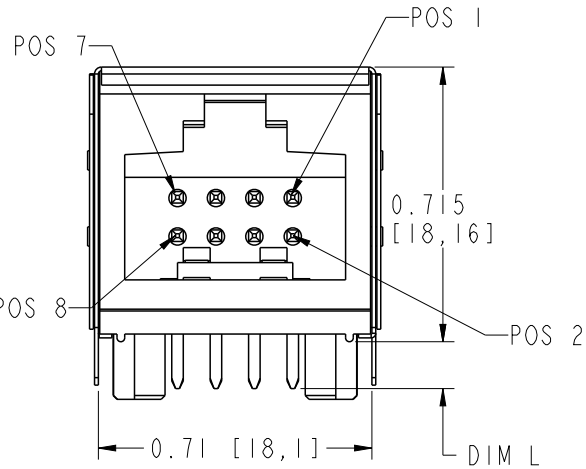


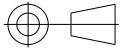
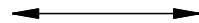

A

B

C

D

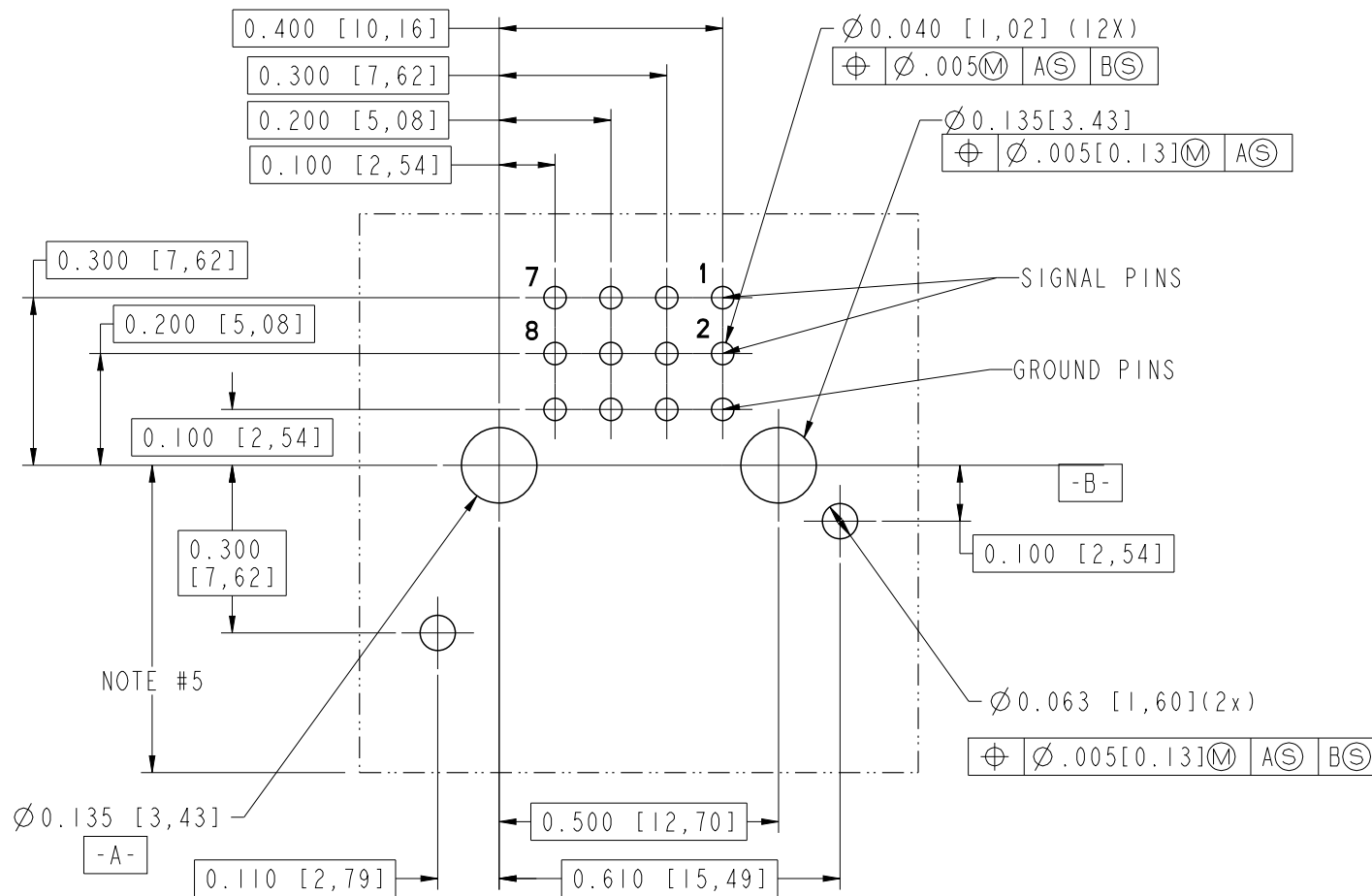


dr	Keen Wu	2010/11/05	projection 	INCH / MM 	size	A4	scale	2:1
eng	Henry Guo	2014/03/24			ecn no	ELX-N-17279-1		
chr	-	-			rel level	Released		
appr	Rick Bian	2014/03/24	product family	-		rev	S	
		title 2X4 LNL SHIELDED HEADER ASSEMBLY	dwg no 74355	www.fci.com		cat. no.	Product - Customer Drw	sheet 2 of 5



Copyright FCI.

COMPONENT SIDE

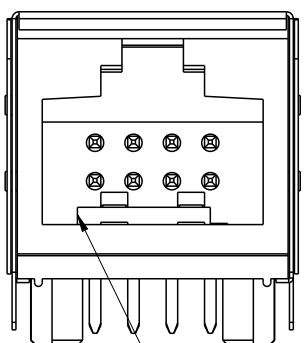


NOTE #5

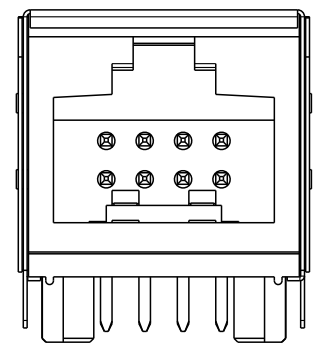
dr	Keen Wu	2010/11/05	projection 	INCH / MM 	size	A4	scale	2:1
eng	Henry Guo	2014/03/24			ecn no	ELX-N-17279-1		
chr	-	-			rel level	Released		
appr	Rick Bian	2014/03/24	product family	-	rev	74355		S
www.fci.com		cat. no.	-	Product - Customer Drw	sheet 3 of 5			



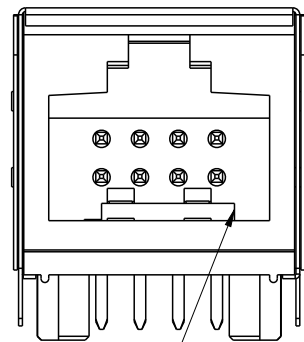
Copyright FCI.



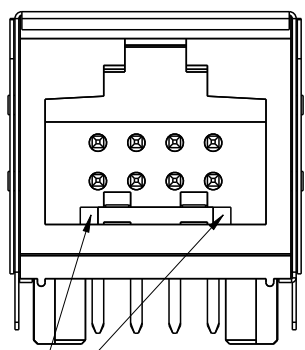
KEY POSITION 1
SCALE 2:1



NO KEY
SCALE 2:1



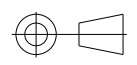
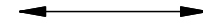

KEY POSITION 2
SCALE 2:1



KEY POSITION 3



Copyright FCI.

dr	Keen Wu	2010/11/05	projection 	INCH / MM 	size	A4	scale	2:1
eng	Henry Guo	2014/03/24			ecn no	ELX-N-17279-1		
chr	-	-			rel level	Released		
appr	Rick Bian	2014/03/24	product family	-	rev	S		
		title 2X4 LNL SHIELDED HEADER ASSEMBLY	dwg no 74355	www.fci.com	cat. no. -	Product - Customer Drw	sheet 4 of 5	

74355-XYZLF

LEAD FREE OPTION (NOTES 9 & 10)

KEY POSITION (NOTE 7)

- STD NO KEY	(NOTE 8)
1-KEY POSITION 1	(NOTE 7)
2-KEY POSITION 2	(NOTE 7)
3-KEY POSITION 3	(NOTE 7)

COLOR

01 LIGHT GRAY	OBS.
02 OFF WHITE	
03 DARK GRAY	OBS.
04 BLACK	
05 SLATE GRAY	OBS.
07 SILVER GRAY	
08 PEARL WHITE	OBS.
09 PEBBLE GRAY	

PIN LENGTH LEY (DIM L)

0	.200/5.08
1	.130/3.30

NOTES:

- HEADER SHROUD
MAT'L: HIGH TEMPERATURE THERMOPLASTIC
UL-94V-0 RATED.
- GROUND CONTACT
MAT'L: COPPER ALLOY
PLATING: 100-160 MICRO"/2.54-4.06 MICRON Sn.
- SIGNAL CONTACT
MAT'L: COPPER ALLOY
PLATING: PERFORMANCE PLATING WILL BE EITHER GOLD OR GXT
ON CONTACT AREA OR TAIL, OPTIONALLY (78-295u") TIN ON TAIL.
- HEADER SHIELD
MAT'L: COPPER ALLOY
PLATING: 100 MICRO"/2.54 MICRON BRIGHT
TIN OVER 50 MICRO"/1.27 MICRON NICKEL
- LOCATION DIMENSION FROM EDGE OF PCB
TO BE DETERMINED BY CUSTOMER.
- THIS ASSEMBLY IS UL RECOGNIZED PER FILE
E66906, VOL. 1, SECT 40 AND CSA
APPROVED PER MASTER FILE NO. LR 46923-162
- MUST USE PLUG OF THE SAME KEY.
KEYED PLUGS WILL MATE WITH STANDARD HEADER.
- OMIT 4th DIGIT FOR STD NO KEY PRODUCT
- ADD LF SUFFIX AT THE END OF PART NUMBER FOR LEAD FREE OPTION
AND THE HOUSING WILL WITHSTAND EXPOSURE TO 260°C PEAK TEMPERATURE
FOR 15 SECONDS IN A WAVE SOLDER APPLICATION WITH A 1.5MM
MINIMUM THICK CIRCUIT BOARD.
- THIS PRODUCT MEETS EUROPEAN UNION DIRECTIVES AND OTHER
COUNTRY REGULATION AS DESCRIBED IN GS-22-008.
- PRODUCT SPEC: gs-12-003
- PART NUMBER WITH SUFFIX "A" IS CUSTOM TO INTENDED FOR FMLB
EXAMPLE: 74355-1041ALF



Copyright FCI.

dr	Keen Wu	2010/11/05	projection 	INCH/MM 	size	A4	scale	2:1			
eng	Henry Guo	2014/03/24			ecn no	ELX-N-17279-1					
chr	-	-			rel level	Released					
appr	Rick Bian	2014/03/24	product family	-	title	2X4 LNL SHIELDED HEADER ASSEMBLY		dwg no	74355	rev	S
www.fci.com		cat. no.	-	Product - Customer Drw	sheet 5 of 5						

Mouser Electronics

Authorized Distributor

Click to View Pricing, Inventory, Delivery & Lifecycle Information:

[FCI / Amphenol:](#)

[74355-1041](#) [74355-1041ALF](#) [74355-1041LF](#) [74355-1091LF](#) [74355-1022](#) [74355-1042](#) [74355-1042LF](#) [74355-1043](#)
[74355-104LF](#) [74355-1093](#) [74355-109LF](#) [74355-002](#) [74355-0021](#) [74355-0022](#) [74355-004](#) [74355-0041](#) [74355-](#)
[0042](#) [74355-007](#) [74355-0071](#) [74355-0072](#) [74355-009](#) [74355-0091](#) [74355-0092](#) [74355-1021](#) [74355-1021LF](#)
[74355-1071](#) [74355-1071LF](#) [74355-1072](#) [74355-1072LF](#) [74355-1092](#) [74355-1092LF](#)