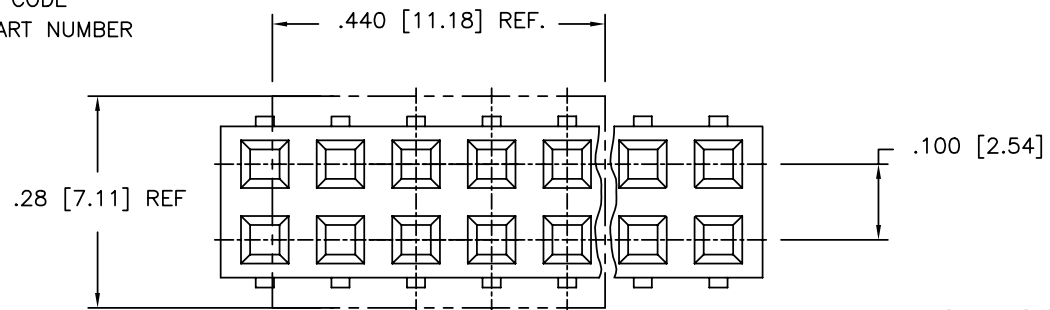


PRODUCT NUMBER

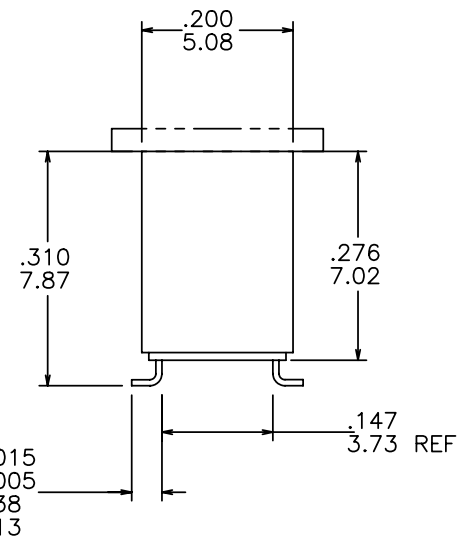
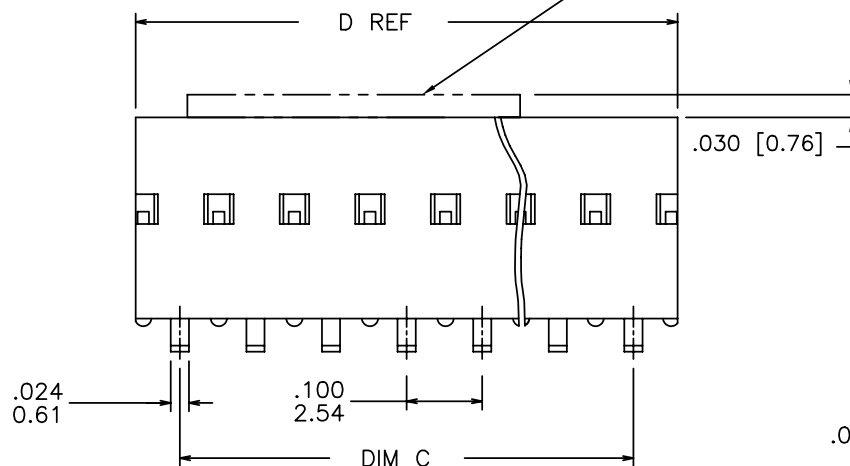
SEE TABLE

68046 - XXX - LF

- LEAD FREE OPTION
- PACKAGING OPTION NOTE 6. OMIT IF NOT REQUIRED
- NO OF POSITIONS PER ROW
- PLATING CODE
- BASE PART NUMBER



VACUUM CAP FOR TAPE & REEL PACKAGING OPTION. NOTE 8



mat'l. code		surface ISO 1302 ✓		tolerance ISO 406 ISO 1101		projection INCH/MM		product family DUBOX	
ltr ecn nodr date		tolerances unless otherwise specified		title		scale 1:1		SMT DOUBLE ROW VCC ASSEMBLY	
AV	N-005264	SH	2011-8-25	angles	XXX±.01/XX±.3	INCH/MM		SMT DOUBLE ROW VCC ASSEMBLY	
AN	V04-0986	DAI	10/13/04	linear	XXX±.0005/XX±.13	scale 1:1		SMT DOUBLE ROW VCC ASSEMBLY	
AP	V04-1003	DAI	10/25/04	0°±2°	XXX±.0020/XX±.05	scale 1:1		SMT DOUBLE ROW VCC ASSEMBLY	
AR	V05-0463	DPU	06/28/05	chr	J. SHREINER	11/07/90		dwg no 68046 sheet 1 of 5 size A3	
AS	M07-0143	ERE	03/03/07	engr	M. HAHN	11/07/90		type Product Customer Drawing	
AT	M07-0203	AGS	5/02/07	chr	M. HAHN	11/07/90		type Product Customer Drawing	
AU	M08-0065	MHT	3/04/05	appd	M. HAHN	11/07/90		type Product Customer Drawing	
sheet	revisior	AV	AV	AV	AV	AV			
index	sheet	1	2	3	4	5			



FCIconnect.com

Copyright FCI

PRODUCT NUMBER NOTE 15	PLATING CONTACT AREA	PLATING SOLDER TAIL	MATERIAL REF
68046-2XX	15μ"/.38μ Au OR GXT MIN OVER 50μ"/1.27μ Ni MIN	100μ"/160μ" 2.54μ"/4.06μ" SN	NOTE 3&4
68046-3XX	30μ"/.76μ Au OR GXT MIN OVER 50μ"/1.27μ Ni MIN	100μ"/160μ" 2.54μ"/4.06μ" SN	NOTE 3&4
68046-4XX	100μ"/2.54 SN MIN OVER 50μ"/1.27μ Ni MIN	100μ"/160μ" 2.54μ"/4.06μ" SN	NOTE 3,4&17
68046-6XX	30μ"/.76μ Au OR GXT MIN OVER 50μ"/1.27μ Ni MIN	100μ"/160μ" 2.54μ"/4.06μ" SN	NOTE 3&4
68046-8XX	30μ"/.76μ Au MIN OVER 50μ"/1.27μ Ni MIN	200μ"/5.08μ SL MIN	NOTE 3&4

OBSOLETE

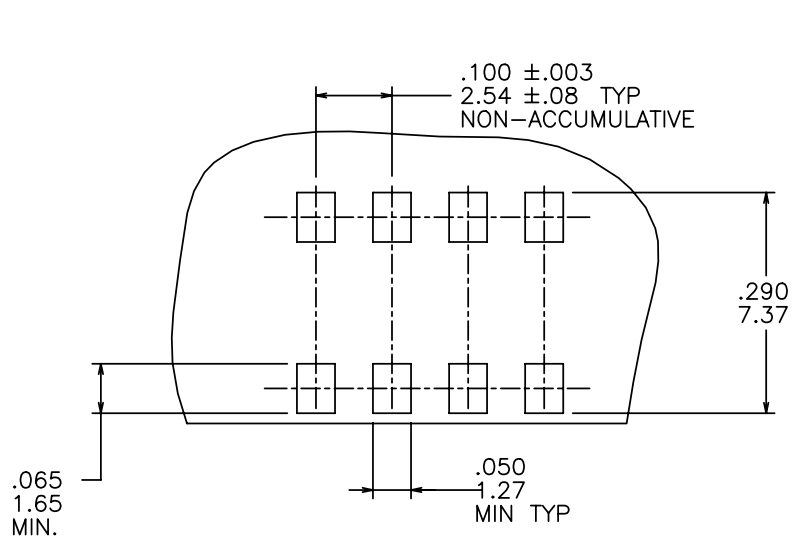


FIGURE A  
TOP ENTRY  
.025/.64 SQ PIN

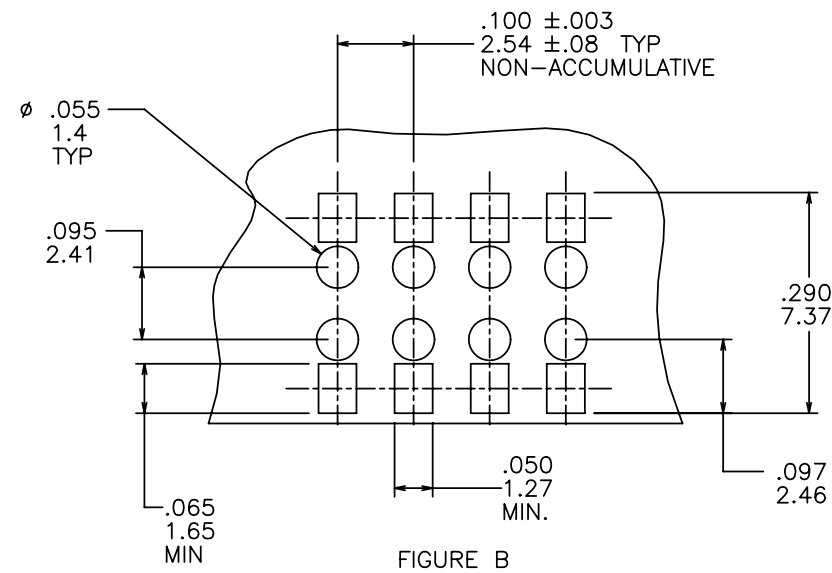


FIGURE B  
BOTTOM ENTRY (THROUGH PWB)  
.025/.64 SQ PIN

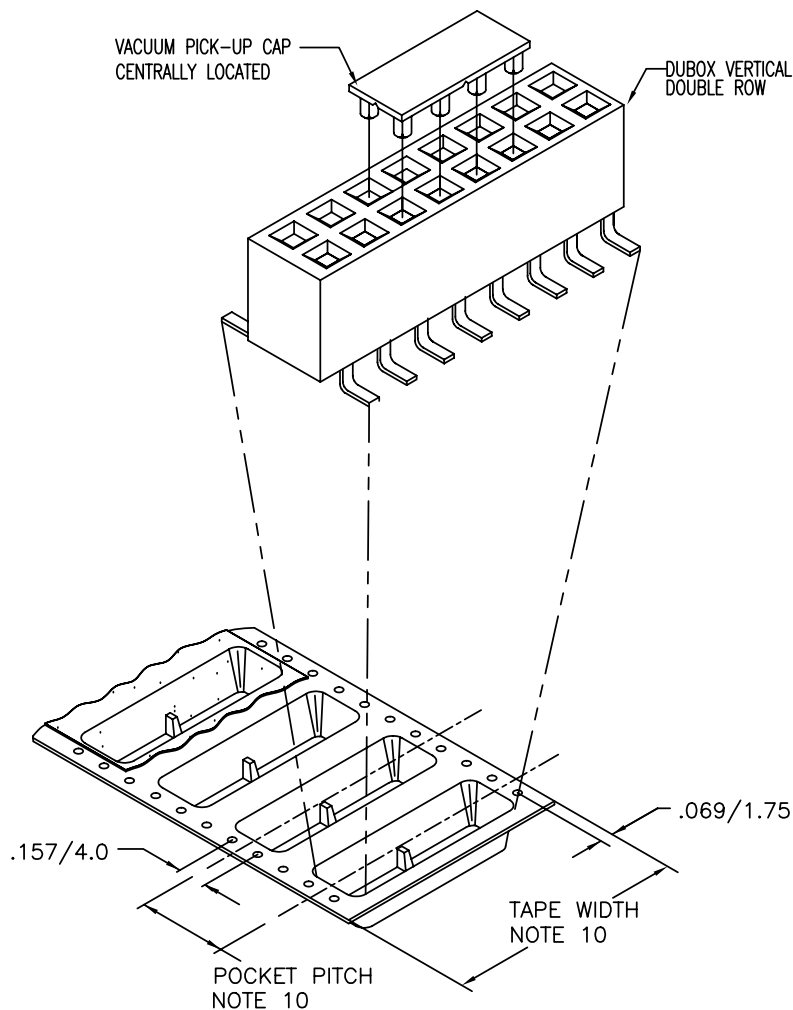
mat'l. code	surface ISO 1302 ✓	tolerance ISO 406 ISO 1101	projection INCH/MM	product family DUBOX
tr.ecn nodr date	tolerances unless otherwise specified		title SMT DOUBLE ROW VCC ASSEMBLY	dwg no 68046
AV	angles 0°±2'	line XX±.01/XX±.3 XXX±.0.005/XX±.13 XXXX±.0020/XXX±.05	scale 1:1	sheet 2 of 5 size A3
	dr J. SHREINER 11/07/90	enr M. HAHN 11/07/90	chr M. HAHN 11/07/90	type Product Customer Drawing
sheet index	revision sheet			



Copyright FCI

VACUUM PICK-UP CAP  
CENTRALLY LOCATED

DUBOX VERTICAL RECEPTACLE  
DOUBLE ROW



### TAPE AND REEL PACKAGING

SEE NOTE 7

#### NOTES:

- ①. TERMINAL MATERIAL: PHOSPHOR BRONZE.  
EXTRA HARD
2. RECOMMENDED APPLICATION SOLDER DATA:  
A. RECOMMENDED SOLDER PAD PATTERN IS SHOWN IN FIGURE A & B.  
B. ALL MATING PINS TO BE .025/.64 SQUARE ON TRUE CENTER OF  
ON GIVEN TERMINAL SPACING WITHIN .015/.38 DIA.  
C. SUGGESTED MATING PIN LENGTH .210±.010 [5.33±.51]
- ③. HOUSING MATERIAL: P.P.S. FILLED.  
FLAME RETARDANT PER UL-94-V0.  
COMPATIBLE WITH INFRA-RED SOLDERING.  
COLOR: BLACK  
PART WILL WITHSTAND EXPOSURE TO 260° C PEAK TEMPERATURE  
FOR 20 SEONDS IN WAVE SOLDER,INFRA-RED OR  
VAPOR PHASE SOLDER PROCESS.
- ④. PRESTAMPED POST PLATED TERMINAL.
5. FCI, FCI FINAL PART NUMBER AND DATE CODE  
TO BE MARKED ON TUBE LABEL.
6. ADD SUFFIX 'P' TO DASH NUMBER AS FOURTH DIGIT FOR TAPE & REEL  
PACKAGING.
- ⑦. TAPE AND REEL PACKAGING PER GES-14-334.
- ⑧. VACUUM CAP MATERIAL: L.C.P., FLAME RETARDANT UL 94 V-0.  
COLOR : BLACK  
CAP IS USED WITH TAPE AND REEL PACKAGING.  
CAP IS TO BE CENTRALLY LOCATED ON PART.
9. TAPE AND REEL PACKAGING FOR 24mm WIDE AND BELOW HAVE PILOT HOLES ON  
ONE SIDE OF TAPE ONLY. SIZES ABOVE 24mm HAVE PILOT HOLES ON BOTH  
OF TAPE.
- ⑩. TAPE & REEL PACKAGING 24mm AND 32mm TAPE WIDTH, WITH 112mm POCKET  
PITCH.
11. MAXIMUM LENGTH OF CONNECTOR FOR TAPE AND REEL PACKAGING IS 2.50  
LONG /63.5mm
- ⑫. PART NUMBER WITH SUFFIX "U" IS FOR SAWING PURPOSES ONLY.
13. STANDARD TUBE PACKAGE PER BUS-14-097/3.
- ⑭. TAPE & REEL PACKAGING 72mm TAPE WIDTH WITH 16mm POCKET PITCH.
- ⑮. ADD LF SUFFIX AT THE END OF PART NUMBER FOR LEAD FREE OPTION
16. THESE PRODUCTS MEETS EUROPEAN UNION DIRECTIVES AND OTHER  
COUNTRY REGULATION AS DESCRIBED IN GS-22-008.
- ⑰. "THIS PRODUCT HAS 100% TIN PLATING IN THE INTERFACE AND  
HAS NOT BEEN TESTED FOR WHISKER GROWTH IN ALL INTERCONNECT  
ENVIRONMENTS".

mat'l. code		surface ISO 1302 ✓		tolerance ISO 406 ISO 1101		projection ⊕		product family DUBOX	
ltr ecn nodr		date		tolerances unless otherwise specified		INCH/MM		title SMT DOUBLE ROW VCC ASSEMBLY	
AV				angles 0°±2'		linea XXX±.01/XX±.3 XXX±.0005/XX±.13 XXX±.0020/XXX±.05		scale 1:1	
dr		J. SHREINER		11/07/90		FCI		dwg no 68046	
engr		M. HAHN		11/07/90				sheet of 5 A3	
chr		M. HAHN		11/07/90				type Product Customer Drawing	
appd		M. HAHN		11/07/90					
sheet index		revision sheet							

PRODUCT NUMBER	NO. OF POS.	C DIM	D DIM	TAPE & REEL PACKAGING	LF OPTION
68046-Y02	2 X 2	.100/2.540	.217/5.511	NO	NOTE 15
-Y03	2 X 3	.200/5.080	.317/8.051	NO	
-Y04	2 X 4	.300/7.620	.417/10.591	NO	
-Y05	2 X 5	.400/10.160	.517/13.131	NO	
-Y06	2 X 6	.500/12.700	.617/15.671	NO	
-Y07	2 X 7	.600/15.240	.717/18.211	NO	
-Y08	2 X 8	.700/17.780	.817/20.751	NO	
-Y09	2 X 9	.800/20.320	.917/23.291	NO	
-Y10	2 X 10	.900/22.860	1.017/25.831	NO	
-Y11	2 X 11	1.000/25.400	1.117/28.371	NO	
-Y12	2 X 12	1.100/27.940	1.217/30.911	NO	
-Y13	2 X 13	1.200/30.480	1.317/33.451	NO	
-Y14	2 X 14	1.300/33.020	1.417/35.991	NO	
-Y15	2 X 15	1.400/35.560	1.517/38.531	NO	
-Y16	2 X 16	1.500/38.100	1.617/41.071	NO	
-Y17	2 X 17	1.600/40.640	1.717/43.611	NO	
-Y18	2 X 18	1.700/43.180	1.817/46.151	NO	
-Y19	2 X 19	1.800/45.720	1.917/48.691	NO	
-Y20	2 X 20	1.900/48.260	2.017/51.231	NO	
-Y21	2 X 21	2.000/50.800	2.117/53.771	NO	
-Y22	2 X 22	2.100/53.340	2.217/56.311	NO	
-Y23	2 X 23	2.200/55.880	2.317/58.851	NO	
-Y24	2 X 24	2.300/58.420	2.417/61.391	NO	
68046-Y25	2 X 25	2.400/60.960	2.517/63.931	NO	

NOTE 15

mat'l. code	surface ISO 1302 ✓	tolerance ISO 406 ISO 1101	projection 	product family DUBOX
tr	ecn	nodr	date	title
AV				SMT DOUBLE ROW VCC ASSEMBLY
	angles	linea	tolerances unless otherwise specified XX±.01/XX±.3 XXX±.0.005/XXX±.13 XXXX±.0020/XXX±.05	INCH/MM
	0°±2°			scale 1:1
	dr	J. SHREINER	11/07/90	dwg no
	engr	M. HAHN	11/07/90	sheet # of 5
	chr	M. HAHN	11/07/90	68046
	appd	M. HAHN	11/07/90	A3
				type Product Customer Drawing
sheet index	revision sheet			



Copyright FCI

PROD. NUMBER	NO. POSI.	C DIM	D DIM	TAPE & REEL PACKAGING	LF OPTION
68046-Y26	2 X 26	2.500/63.500	2.617/66.471		NO
↑ -Y27	2 X 27	2.600/66.040	2.717/69.011		NO
-Y28	2 X 28	2.700/68.580	2.817/71.551		NO
-Y29	2 X 29	2.800/71.120	2.917/74.091		NO
-Y30	2 X 30	2.900/73.660	3.017/76.631		NO
-Y31	2 X 31	3.000/76.200	3.117/79.171		NO
-Y32	2 X 32	3.100/78.740	3.217/81.711		NO
-Y33	2 X 33	3.200/81.280	3.317/84.251		NO
-Y34	2 X 34	3.300/83.820	3.417/86.791		NO
-Y35	2 X 35	3.400/86.360	3.517/89.331		NO
-Y36	2 X 36	3.500/88.900	3.617/91.871		NO
-Y37	2 X 37	3.600/91.440	3.717/94.411		NO
-Y38	2 X 38	3.700/93.980	3.817/96.951		NO
-Y39	2 X 39	3.800/96.520	3.917/99.491		NO
-Y40	2 X 40	3.900/99.060	4.017/102.031		NO
-Y41	2 X 41	4.000/101.600	4.117/104.571		NO
-Y42	2 X 42	4.100/104.140	4.217/107.111		NO
-Y43	2 X 43	4.200/106.680	4.317/109.651		NO
-Y44	2 X 44	4.300/109.220	4.417/112.191		NO
-Y45	2 X 45	4.400/111.760	4.517/114.731		NO
-Y46	2 X 46	4.500/114.300	4.617/117.271		NO
-Y47	2 X 47	4.600/116.840	4.717/119.811		NO
-Y48	2 X 48	4.700/119.380	4.817/122.351		NO
-Y49	2 X 49	4.800/121.920	4.917/124.891		NO
-Y50	2 X 50	4.900/124.460	5.017/127.431		NO
-Y50U	2 X 50	4.900/124.460	5.017/127.431		NO
-Y03P	2 X 3	0.200/5.080	0.317/8.051	YES	
-Y04P	2 X 4	0.300/7.620	0.417/10.592	YES	
↓ -Y05P	2 X 5	0.400/10.160	0.517/13.131	YES	
68046-Y06P	2 X 6	0.500/12.700	0.617/15.671	YES	
68046-Y07P	2 X 7	0.600/15.240	0.717/18.211	YES	
<del>68046-Y12P</del>	2 X 12	1.100/27.94	1.217/30.91	YES	
68046-Y13P	2 X 13	1.200/30.48	1.317/33.45	YES	
68046-Y20P	2 X 20	1.900/48.260	2.017/51.231	YES	

NOTE 15

NOTE 12  
 NOTE 6 & 9  
 NOTE 6 & 10  
 NOTE 6 & 10  
 NOTE 6 & 10  
 NOTE 6 & 10  
 NOTE 6 & 9 — OBSOLETE  
 NOTE 6 & 14  
 NOTE 6 & 14

mat'l. code		surface ISO 1302 ✓	tolerance ISO 406 ISO 1101	projection 	product family DUBOX
ltr	ecn	no	date	title	
AV				SMT DOUBLE ROW VCC ASSEMBLY	
				INCH/MM	
				scale 1:1	
				dwg no 68046 sheet 5 of 5 size A3	
				type Product Customer Drawing	
sheet index	revision sheet				

# Mouser Electronics

Authorized Distributor

Click to View Pricing, Inventory, Delivery & Lifecycle Information:

## [FCI / Amphenol:](#)

[68046-607PLF](#) [68046-220](#) [68046-304](#) [68046-311](#) [68046-313](#) [68046-315](#) [68046-316](#) [68046-317](#) [68046-319](#)  
[68046-320](#) [68046-322](#) [68046-325](#) [68046-330](#) [68046-332](#) [68046-603](#) [68046-607](#) [68046-613](#) [68046-617](#) [68046-624](#)  
[68046-607P](#) [68046-307PLF](#) [68046-318P](#) [68046-318PLF](#) [68046-407LF](#) [68046-410LF](#) [68046-413PLF](#) [68046-](#)  
[203PLF](#) [68046-603LF](#) [68046-607LF](#) [68046-617LF](#) [68046-628LF](#) [68046-620LF](#) [68046-605PLF](#) [68046-609LF](#)  
[68046-307P](#)