

61083- AA B C D E G V FF

AA	NO. OF POSITIONS
02	2X10
04	2X20
06	2X30
08	2X40
10	2X50
12	2X60
14	2X70
16	2X80
18	2X90
20	2X100

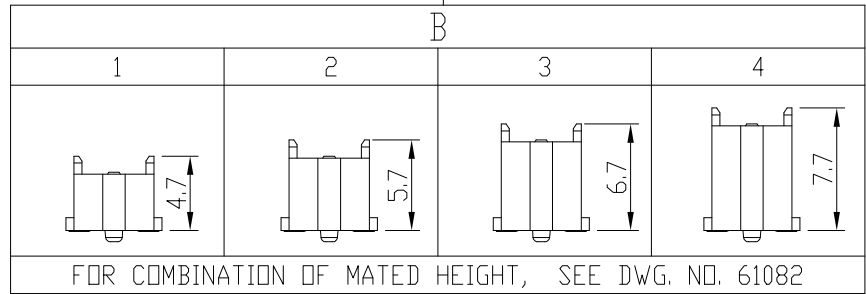
NOTE 10

V	MANDATORY CODE
/	STANDARD, NOT MANDATORY P/N
V	ONLY FOR DEDICATED CUSTOMER

G	DATE CODE
/	STANDARD, NOT PRINT DATE CODE
P	PRINT DATE CODE

E	PACKAGING
0	TUBE WITHOUT METAL CAP
2	T&R WITH METAL CAP
9	TUBE WITH METAL CAP
6	T&R WITHOUT METAL CAP (WITH KAPTON TAPE)
7	T&R WITH PLASTIC CAP
Q	T&R WITHOUTL CAP

D	FEATURE	HOLD DOWN
0	YES	NO
2	NO	NO



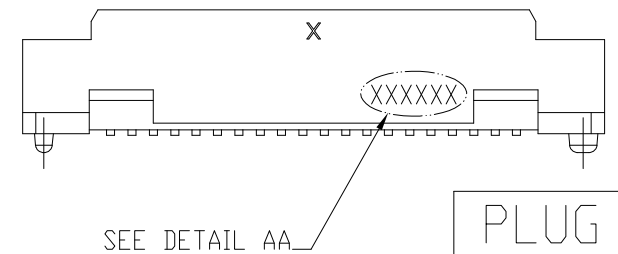
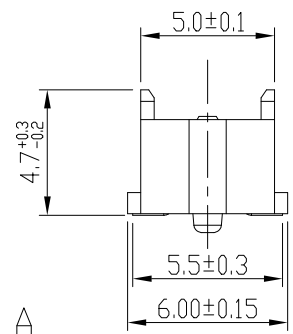
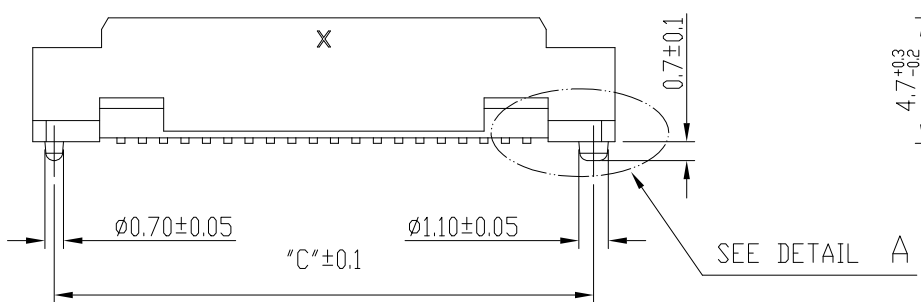
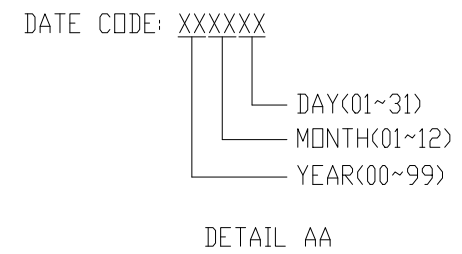
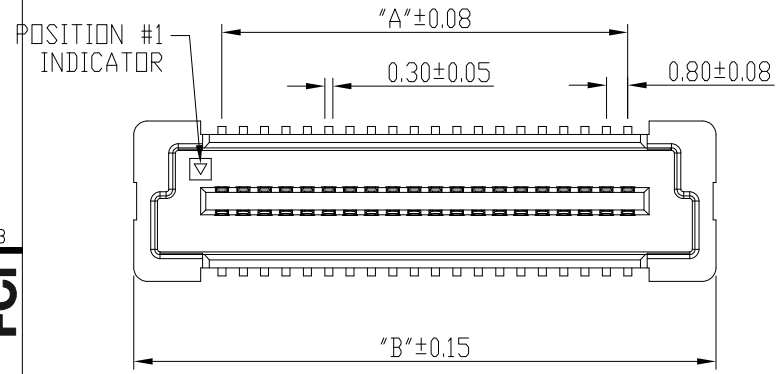
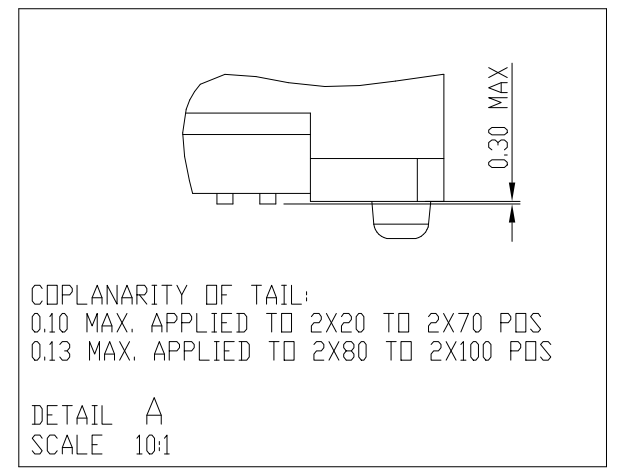
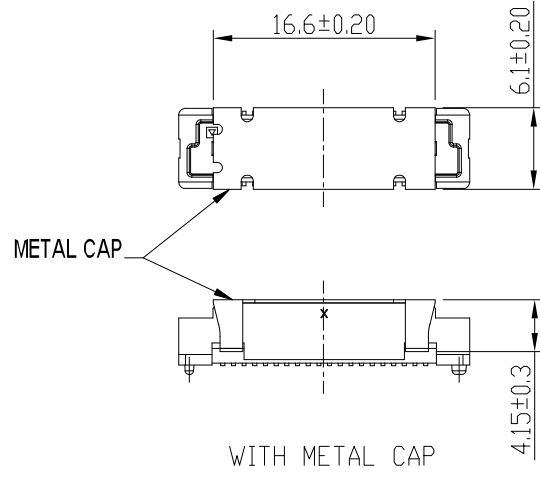
NOTE: FOR COMBINATION OF MATED HEIGHT, SEE DWG. NO. 61082

- MATERIAL:
HOUSING: G.F. LCP, NATURAL, UL94-V0
TERMINAL: BRASS
- PLATING: AS SHOWN IN TABLE.
- SEE GS-12-547 FOR PRODUCT SPEC.
- PACKAGING OPTION 2: NOT ALL SIZES ARE AVAILABLE. CHECK WITH FACTORY.
- THIS PRODUCT MEETS THE EUROPEAN UNION DIRECTIVES AND OTHER COUNTRY REGULATIONS AS DESCRIBED IN GS-22-008.
- THE HOUSING WILL WITHSTAND EXPOSURE UP TO 260° PEAK TEMPERATURE FOR 30 SECONDS IN A CONVECTION, INFRA-RED OR VAPOR PHASE REFLOW OVEN.
- PLATING OPTION "4" IS LEADFREE ALTERNATIVE FOR OPTION "0", AND OPTION "6" IS LEADFREE ALTERNATIVE FOR OPTION "1".
- HIGH PRECISION COPLANARITY IS AVAILABLE FOR 2X80 TO 2X100 PDS, ALL HEIGHTS. PLS REFER TO PRINT 10069525.
- THE P/N 61083-***** OR 61083-*****LF NOT PRINT DATE CODE.
THE P/N 61083-*****P OR 61083-*****PLF NEED PRINT DATE CODE.
- POSITION 2X10 TYPE ONLY APPLY TO PLUG 1.
PACKAGING WITH METAL CAP AND PLASTIC CAP DOES NOT APPLY TO 2X10 POSITION.
- KAPTON TAPE ONLY APPLY TO POSITION 2X10~2X20.

C	PLATING	FF
0	GOLD 0.2um MIN. ON CONTACT AREA ; TIN LEAD 2.5um MIN ON SOLDER TAIL NICKEL UNDERPLATE OVERALL 1.27um MIN	NONE
1	GOLD FLASH (0.065um MIN) OVER PALLADIUM-NICKEL 0.69um MIN ON CONTACT AREA ; TIN LEAD 2.5um MIN ON SOLDER TAIL NICKEL UNDERPLATE OVERALL 1.27um.	NONE
4	GOLD 0.2um MIN ON CONTACT AREA ; PURE MATT TIN 2.5um MIN ON SOLDER TAIL; NICKEL UNDERPLATE OVERALL 1.27um. (LEADFREE PLATING)	LF
5	GOLD 0.38um MIN ON CONTACT AREA ; MATT PURE TIN 2.5um MIN ON SOLDER TAIL; NICKEL UNDERPLATE OVERALL 1.27um MIN (LEADFREE PLATING)	LF
6	GOLD FLASH (0.065um MIN) OVER PALLADIUM-NICKEL 0.69um MIN ON CONTACT AREA ; PURE MATT TIN 2.5um MIN ON SOLDER TAIL NICKEL UNDERPLATE OVERALL 1.27um. (LEADFREE PLATING)	LF
7	GOLD 0.76um MIN ON CONTACT AREA ; PURE MATT TIN 2.5um MIN ON SOLDER TAIL; NICKEL UNDERPLATE OVERALL 1.27um. (LEADFREE PLATING)	LF
9	GOLD 0.2um MIN ON CONTACT AREA ; GOLD 0.05um MIN ON SOLDER TAIL NICKEL UNDERPLATE OVERALL 1.27um. (LEADFREE PLATING)	LF

mat'l. code		surface ISO 1302	tolerance ISO 406	projection ISO 1101	product family
ltr		ISO 1302	ISO 406	ISO 1101	BERGSTAK HPL545
AG	ecm no	dr	date	tolerances unless otherwise specified	title
AG		GM	10/19/16	angles linear .0±.2	PLUG ASSY
AH	ELX-N-25161	Bob	10/19/16	linear .00±.15	BERGSTAK 0.8MM
AJ	ELX-N-25201	Bob	12/29/16	0±3'	scale 1:1
AK	ELX-N-26185	Bob	02/27/17	dr GuoMin Sun	10/21/14
AL	ELX-N-26381	Bob	03/17/17	engr Bob Gu	03/17/17
				chr LQ Lei	03/17/17
				appd Tim Yao	03/17/17
sheet index		revision	AL	Amphenol FCI	
		sheet	1~6	type Product Customer Drawing	

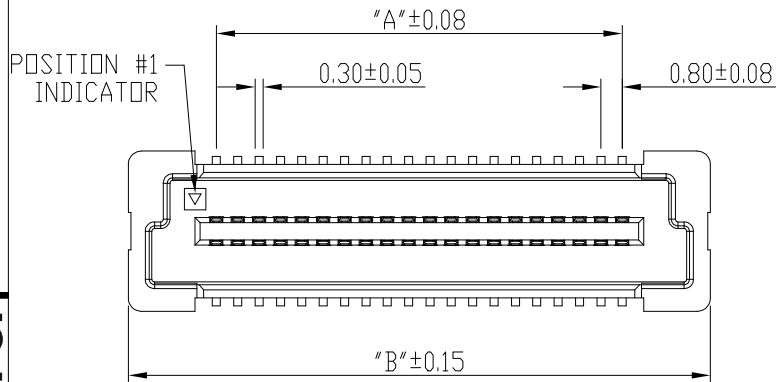
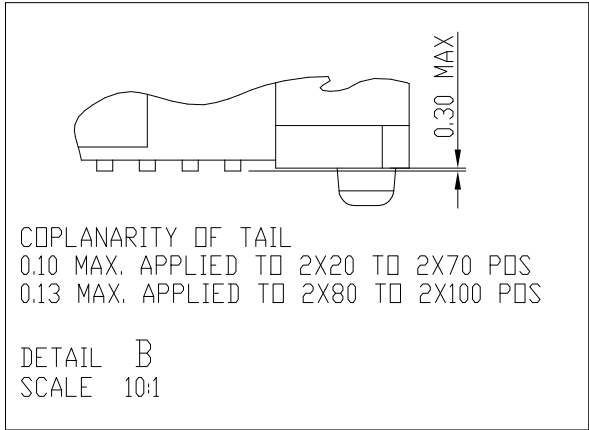
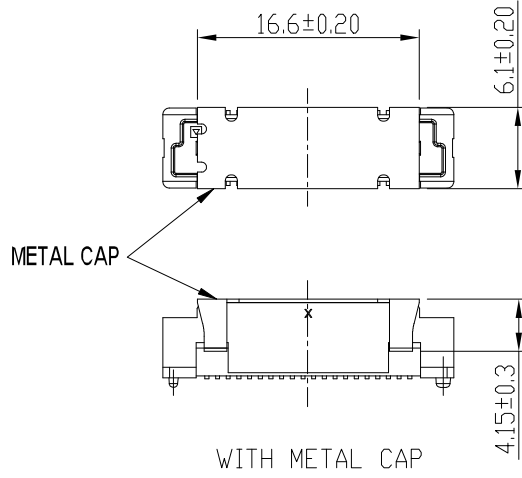
PRODUCT NO.	NO. OF POSITION	DIMENSION		
		A	B	C
61083-021***	2X10	7.2	13.8	12.2
61083-041***	2X20	15.2	21.8	20.2
61083-061***	2X30	23.2	29.8	28.2
61083-081***	2X40	31.2	37.8	36.2
61083-101***	2X50	39.2	45.8	44.2
61083-121***	2X60	47.2	53.8	52.2
61083-141***	2X70	55.2	61.8	60.2
61083-161***	2X80	63.2	69.8	68.2
61083-181***	2X90	71.2	77.8	76.2
61083-201***	2X100	79.2	85.8	84.2



mat'l. code		surface ISO 1302 ✓		tolerance ISO 406 ISO 1101		projection		product family	
ltr		ecn no		date		tolerances unless otherwise specified		BERGSTAK HPL545	
AG		GM		10/19/16		mm		title	
AH		ELX-N-25161		Bob		.0±.2		PLUG ASSY	
AJ		ELX-N-25201		Bob		.00±.15		BERGSTAK 0.8MM	
AK		ELX-N-26185		Bob		.000±.10		dwg no	
AL		ELX-N-26381		Bob		0°±3'		sheet 2 of 6	
				dr		GuoMin Sun		size	
				engr		Bob Gu		61083	
				chr		LQ Lei		A3	
				appd		Tim Yao		type	
								Product Customer Drawing	
sheet index		revision sheet		AL 1~6					

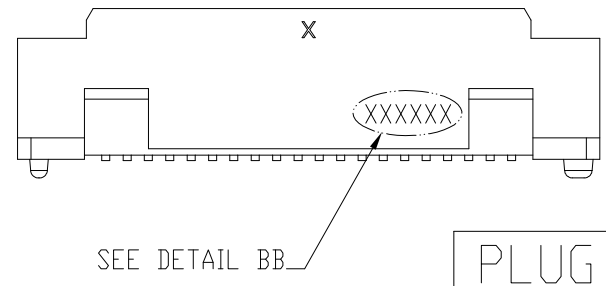
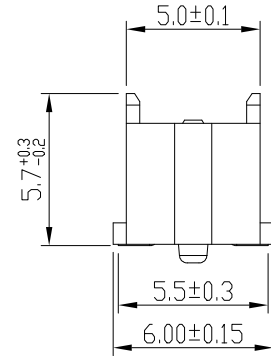
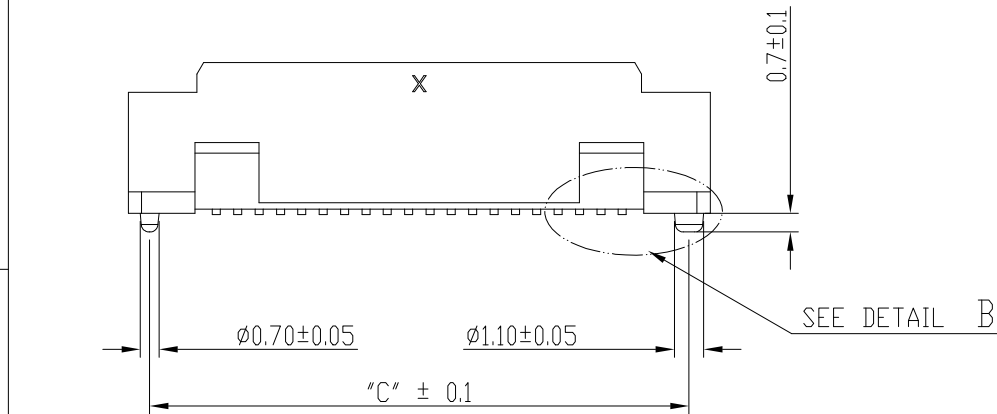
© 2016 AFCI
 Amphenol FCI

PRODUCT NO.	NO. OF POSITION	DIMENSION		
		A	B	C
61083-042***	2X20	15.2	21.8	20.2
61083-062***	2X30	23.2	29.8	28.2
61083-082***	2X40	31.2	37.8	36.2
61083-102***	2X50	39.2	45.8	44.2
61083-122***	2X60	47.2	53.8	52.2
61083-142***	2X70	55.2	61.8	60.2
61083-162***	2X80	63.2	69.8	68.2
61083-182***	2X90	71.2	77.8	76.2
61083-202***	2X100	79.2	85.8	84.2



DATE CODE: XXXXXX
 DAY(01~31)
 MONTH(01~12)
 YEAR(00~99)

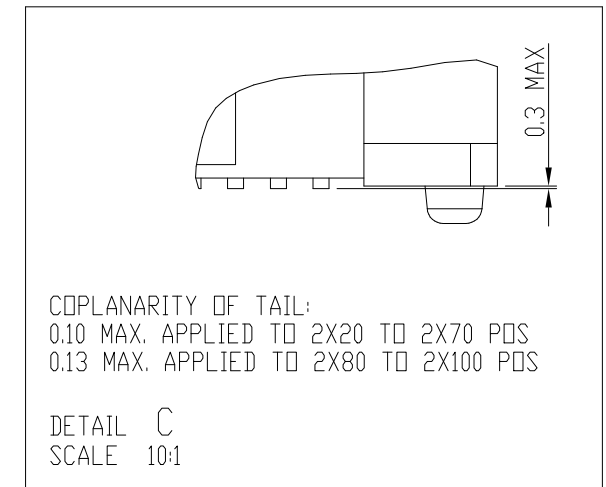
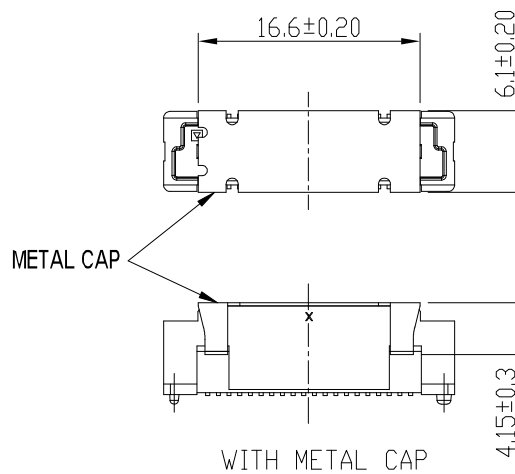
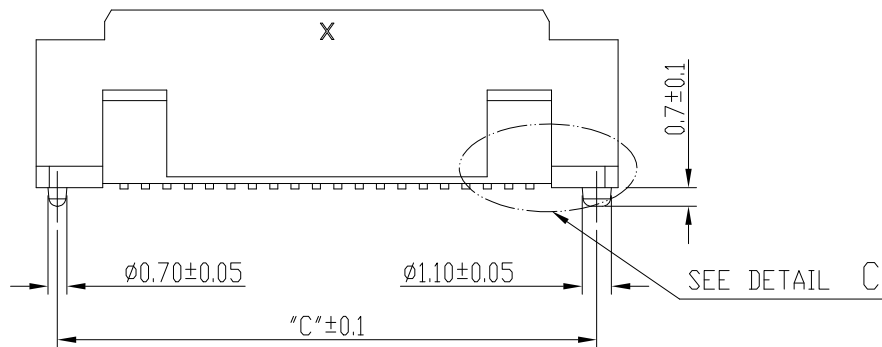
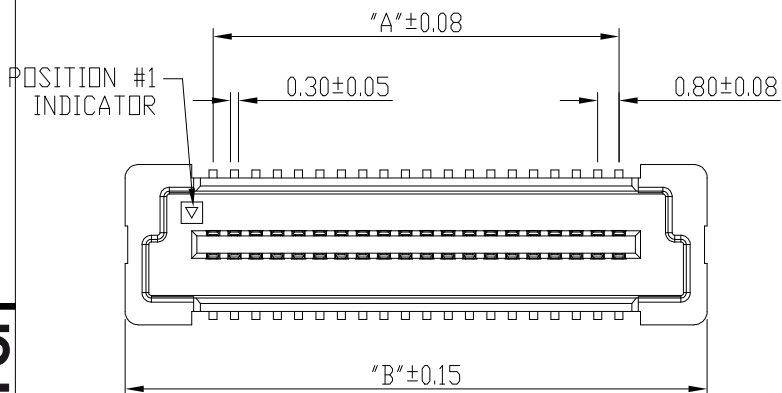
DETAIL BB



mat'l. code		surface ISO 1302 ✓		tolerance ISO 406 ISO 1101		projection		product family BERGSTAK HPL545	
ltr	ecn no	dr	date	tolerances unless otherwise specified		mm		title	
AG		GM	10/19/16	angles	.0±.2	linear		PLUG ASSY BERGSTAK 0.8MM	
AH	ELX-N-25161	Bob	10/19/16	0°±3'	.00±.15	scale 1:1		dwg no sheet 3 of 6 size	
AJ	ELX-N-25201	Bob	12/29/16		.000±.10	Amphenol FCI		61083 A3	
AK	ELX-N-26185	Bob	02/27/17	dr	GuoMin Sun	10/21/14		type Product Customer Drawing	
AL	ELX-N-26381	Bob	03/17/17	engr	Bob Gu	03/17/17			
				chr	LQ Lei	03/17/17			
				appd	Tim Yao	03/17/17			
sheet index	revision sheet	AL 1~6							

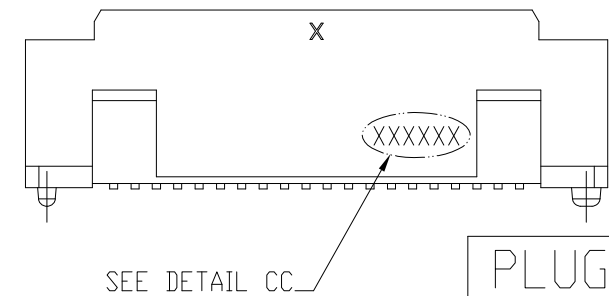
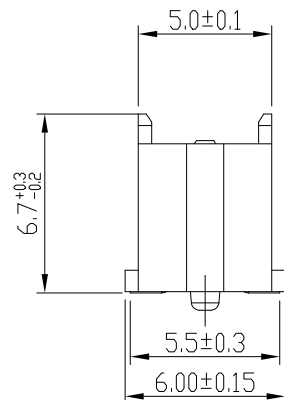
© 2016 AFCI Amphenol FCI

PRODUCT NO.	NO. OF POSITION	DIMENSION		
		A	B	C
61083-043***	2X20	15.2	21.8	20.2
61083-063***	2X30	23.2	29.8	28.2
61083-083***	2X40	31.2	37.8	36.2
61083-103***	2X50	39.2	45.8	44.2
61083-123***	2X60	47.2	53.8	52.2
61083-143***	2X70	55.2	61.8	60.2
61083-163***	2X80	63.2	69.8	68.2
61083-183***	2X90	71.2	77.8	76.2
61083-203***	2X100	79.2	85.8	84.2



DATE CODE: XXXXXX
 DAY(01~31)
 MONTH(01~12)
 YEAR(00~99)

DETAIL CC



mat'l. code		surface ISO 1302 ✓		tolerance ISO 406 ISO 1101		projection		product family BERGSTAK HPL545	
ltr		ecn no		dr		date		title	
AG		GM		10/19/16				PLUG ASSY BERGSTAK 0.8MM	
AH		ELX-N-25161		Bob		10/19/16		dwg no	
AJ		ELX-N-25201		Bob		12/29/16		sheet 4 of 6	
AK		ELX-N-26185		Bob		02/27/17		size	
AL		ELX-N-26381		Bob		03/17/17		A3	
				engr		Bob Gu		61083	
				chr		LQ Lei		type	
				appd		Tim Yao		Product Customer Drawing	
sheet index		revision sheet		AL 1~6					

PDS: Rev :AL

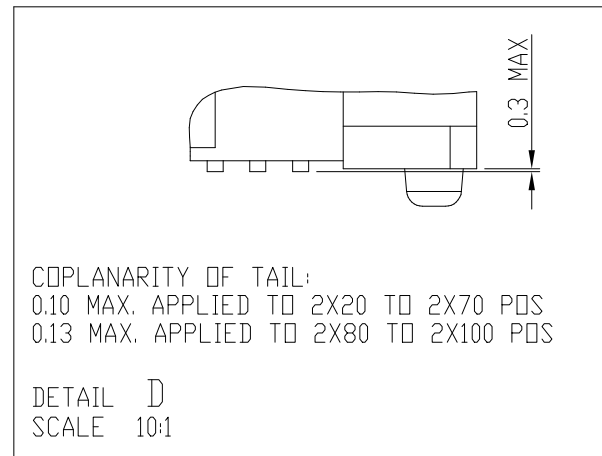
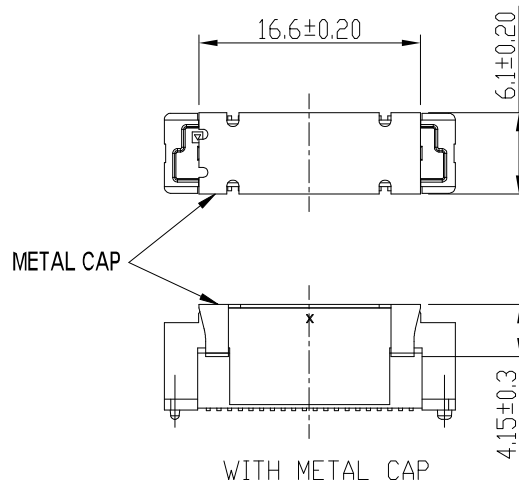
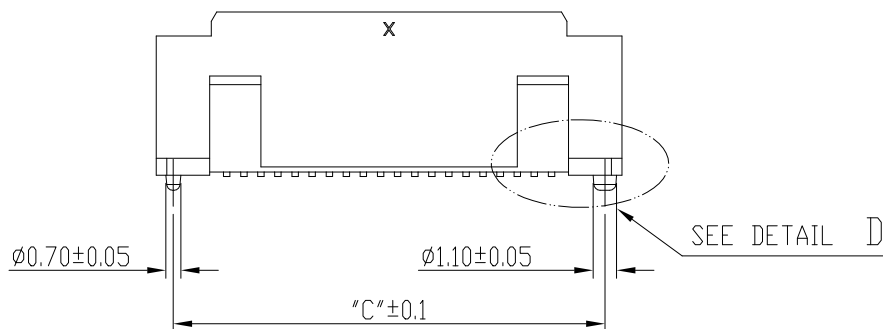
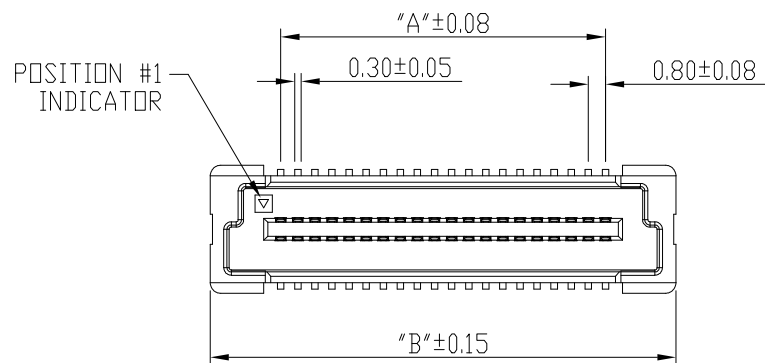
STATUS:Released

Printed: Apr 14, 2017

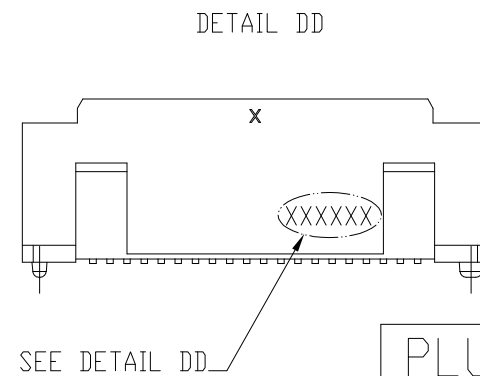
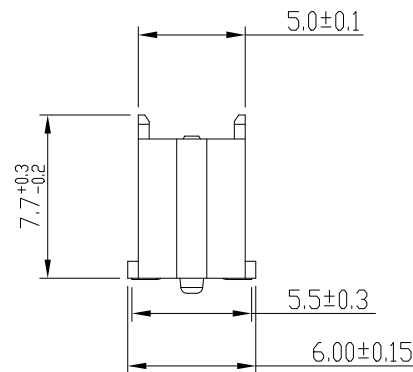
Amphenol FCI

© 2016 AFCI

PRODUCT NO.	NO. OF POSITION	DIMENSION		
		A	B	C
61083-044***	2X20	15.2	21.8	20.2
61083-064***	2X30	23.2	29.8	28.2
61083-084***	2X40	31.2	37.8	36.2
61083-104***	2X50	39.2	45.8	44.2
61083-124***	2X60	47.2	53.8	52.2
61083-144***	2X70	55.2	61.8	60.2
61083-164***	2X80	63.2	69.8	68.2
61083-184***	2X90	71.2	77.8	76.2
61083-204***	2X100	79.2	85.8	84.2

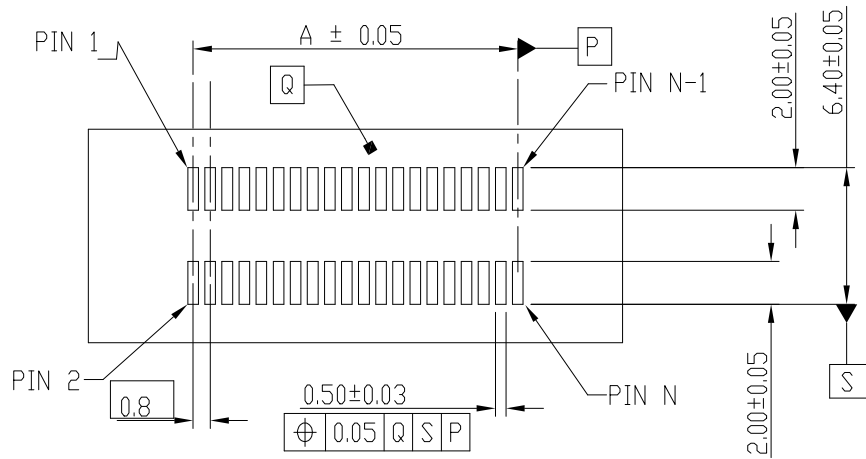


DATE CODE: XXXXXX
 DAY(01~31)
 MONTH(01~12)
 YEAR(00~99)

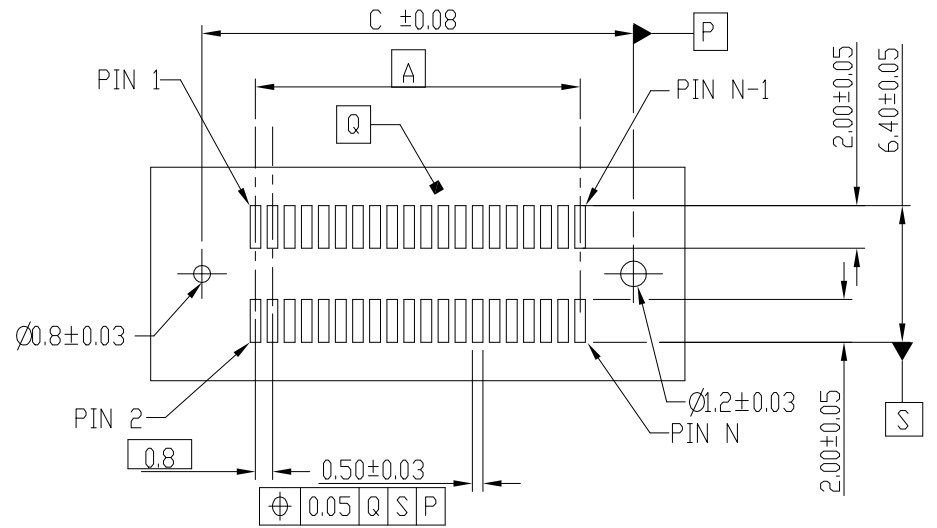


mat'l. code		surface ISO 1302 ✓		tolerance ISO 406 ISO 1101		projection		product family BERGSTAK HPL545	
ltr		ecn no		dr		date		title	
AG		GM		10/19/16				PLUG ASSY BERGSTAK 0.8MM	
AH		ELX-N-25161		Bob		10/19/16		dwg no 61083	
AJ		ELX-N-25201		Bob		12/29/16		sheet 5 of 6	
AK		ELX-N-26185		Bob		02/27/17		size A3	
AL		ELX-N-26381		Bob		03/17/17		type Product Customer Drawing	
				engr		Bob Gu			
				chr		LQ Lei			
				appd		Tim Yao			
sheet index		revision sheet		AL 1~6					

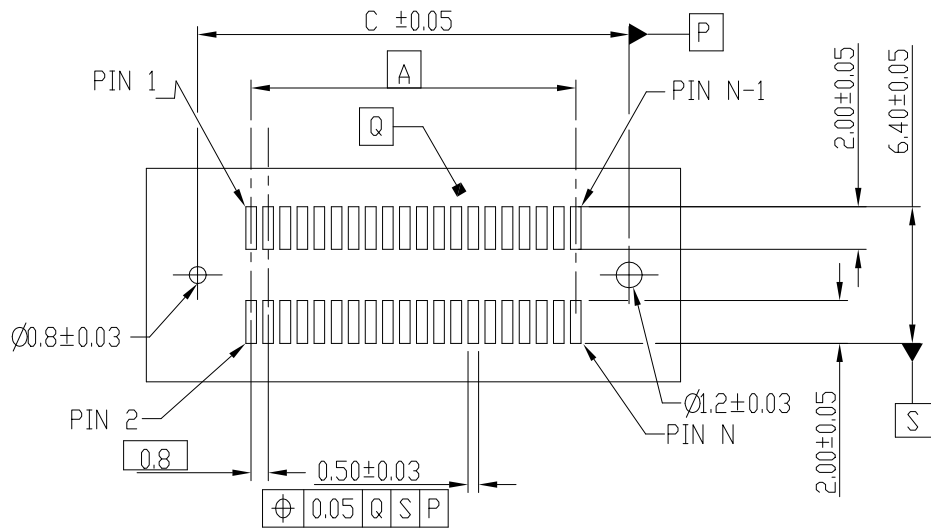
FOR PLUG 1/2/3/4



RECOMMENDED PCB LAYOUT WITHOUT PEG AND HOLDDOWN FOR NO. OF PDS 2X20, 2X30, 2X40, 2X50 2X60



RECOMMENDED PCB LAYOUT WITH PEG FOR NO. OF PDS 2X70, 2X80, 2X90, 2X100



RECOMMENDED PCB LAYOUT WITH PEG FOR NO. OF PDS 2X20, 2X30, 2X40, 2X50 2X60

mat'l. code				surface ISO 1302 ✓		tolerance ISO 406 ISO 1101		projection mm		product family BERGSTAK HPL545	
ltr	ecn no	dr	date	tolerances unless otherwise specified				title			
AG		GM	10/19/16	angles		.0±.2		PLUG ASSY BERGSTAK 0.8MM			
AH	ELX-N-25161	Bob	10/19/16	linear		.00±.15					
AJ	ELX-N-25201	Bob	12/29/16	0°±3°		.000±.10		scale 1:1			
AK	ELX-N-26185	Bob	02/27/17	dr	GuoMin Sun	10/21/14		dwg no sheet 6 of 6 size			
AL	ELX-N-26381	Bob	03/17/17	enr	Bob Gu	03/17/17		61083 A3			
				chr	LQ Lei	03/17/17		type Product Customer Drawing			
				appd	Tim Yao	03/17/17					
sheet index	revision	AL									
	sheet	1~6									

Amphenol FCI

© 2016 AFCI

Mouser Electronics

Authorized Distributor

Click to View Pricing, Inventory, Delivery & Lifecycle Information:

[FCI / Amphenol:](#)

[63453-310LF](#) [63453-312LF](#) [61083-201600LF](#) [61083-122502LF](#) [61083-142102](#) [61083-041022](#) [61083-102102](#)
[61083-043607LF](#) [61083-083002](#) [61083-163600LF](#) [61083-122102](#) [61083-141407LF](#) [61083-162402PLF](#) [61083-062427LF](#) [61083-164402PLF](#)