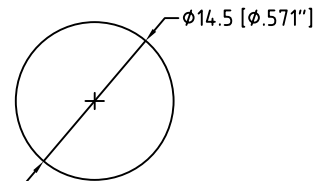
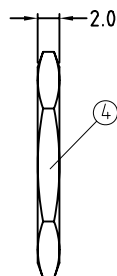
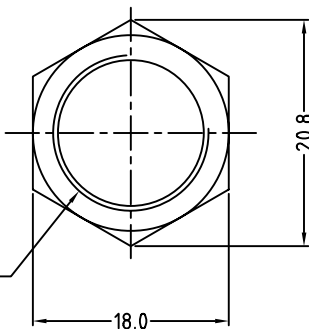
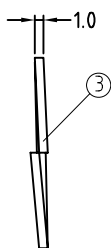
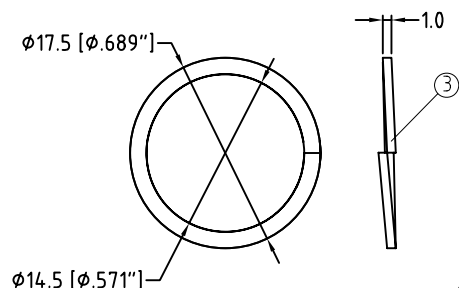
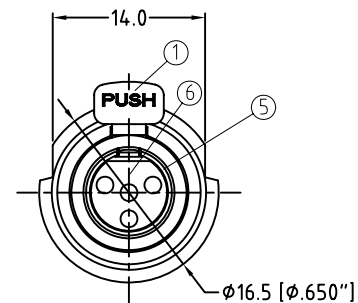
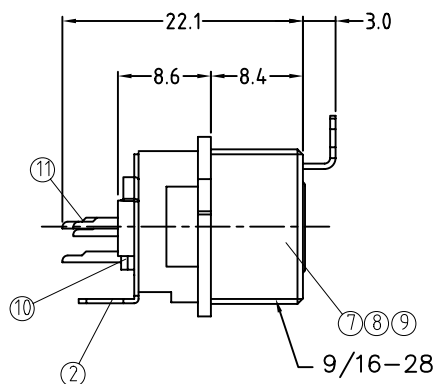
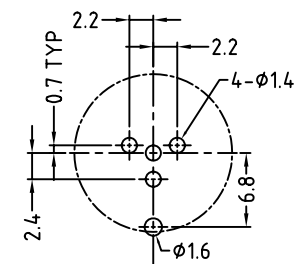


ISO VIEW



+ Panel cutout CL



PCB LAYOUT

11	SOCKET CONTACTS	Brass/Au Plated	4
10	SPRING WASHER	PPS/Black	1
9	SPRING	SUS 304/Ni Plated	1
8	LATCH SPRING	SUS 304/Ni Plated	1
7	MACHINED SHELL	Brass/Ni Plated	1
6	INSULATOR	PPS/Black	1
5	MACHINED SHELL	Brass/Ni Plated	1
4	METAL NUT	Brass/Ni Plated	1
3	SPRING WASHER	SUS 304/Ni Plated	1
2	GOUND CONTACT	Brass/Ni Plated	1
1	PUSH LEVEL	Brass/Ni Plated	1
ITEM	DESCRIPTION	MATERIAL/FINISH	QTY

Specification:

Electrical:

Contact resistance: <0.03 ohm  
 Insulation resistance: >500Megaohm  
 Dielectric strength: 1000VDC  
 Rated current: 5A

Mechanical:

Lifetime: Insert & withdraw >5000 cycle  
 Insertion/withdrawal 6lb Max.

UNLESS OTHERWISE SPECIFIED TOLERANCE TO BE		THIS DOCUMENT IS THE PROPERTY OF AMPHENOL AUSTRALIA PTY. LTD. NO PART THEREOF MAY BE REPRODUCED AND USED WITHOUT THE PRIOR WRITTEN CONSENT OF THE OWNER				0	FIRST ISSUE	M.H	09-10-12	----
LINEAR	ANGULAR	CAD FILE: 55010861100110				REV.	CHANGE DETAILS	BY	DATE	CHG/No
X ± 0.50	X° ± 1°	DRN: M.H				DATE: 09-10-12	TITLE:			
X.X ± 0.25	X°X' ± 30'	MACHINED SHELL				DATE: 09-10-12	MINI XLR FEMALE RECEPTACLE CUSTOMER DWG			
X.XX ± 0.10	X°X'X" ± 15"	MATERIAL: NICKEL PLATED				DATE: 09-10-12	DRAWING NO. 55010861-100-1			
BREAK ALL SHARP EDGES AND REMOVE ALL BURRS		APP'D: P.M				SIZE: A3		SHEET 1 OF 1		
DO NOT SCALE		SCALE: 2:1 UDS				PART No: AG4FCE		Amphenol Australia Pty.Ltd, 2 Fireweys Blvd, Keysborough, Vic3173		
DIMENSIONS IN MILLIMETRES		THIRD ANGLE PROJECTION				AG4FCE		SHEET 1 OF 1		

# Mouser Electronics

Authorized Distributor

Click to View Pricing, Inventory, Delivery & Lifecycle Information:

[Amphenol:](#)

[AG3FCE](#) [AG4FCE](#) [AG5FCE](#) [AG6FCE](#)