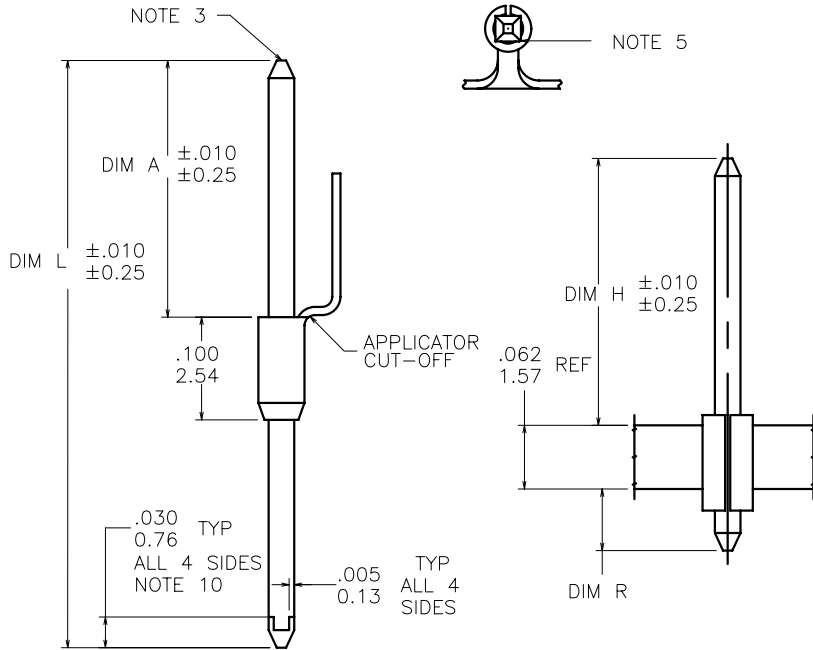
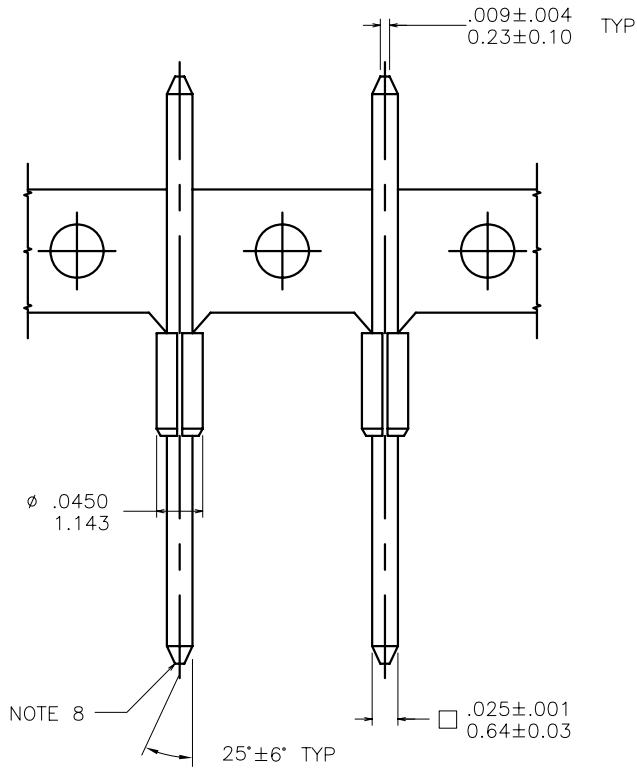


PRODUCT NUMBER
SEE TABLE



| PLATING CODE | PLATING | UNDERPLATING |
|--------------|---------------------|-------------------------|
| 1 | 30μ" [0.76μ] Au | 50μ" [1.27μ] Ni |
| 2 | UNASSIGNED | |
| 3 | 50μ" [1.27μ] Au | 50μ" [1.27μ] Ni |
| 4 | TIN LEAD OPTION | 120μ" [3.05μ] 93/7 SnPb |
| | LF OPTION (NOTE 13) | 100μ" [2.54μ] Sn |
| 5 | 30μ" [0.76μ] GXT™ | 50μ" [1.27μ] Ni |
| 6 | 15μ" [0.38μ] GXT™ | 50μ" [1.27μ] Ni |
| 7 | UNASSIGNED | |
| 8 | UNASSIGNED | |
| 9 | 15μ" [0.38μ] Au | 50μ" [1.27μ] Ni |

DISCONTINUED

| mat'l. code SEE NOTE 1 | | | | surface ASME Y14.5 | | tolerance ASME Y14.5 | | projection | | product family | |
|---------------------------|----------|-----|------------|---------------------------------------|-------------------|-------------------------|-------------------------|------------|-------------------------|-------------------|--|
| ltr | ec'n no | dr | date | tolerances unless otherwise specified | angles | INCH/MM | PIN PRODUCTS | | title | | |
| J | V22754 | JWB | 1992-07-15 | | XX+01/XX+3 | INCH/MM | BERGPOST® .200"[5.08]cc | | WITHOUT RETENTION NICKS | | |
| K | V60743 | SAR | 1996-06-19 | | XXX+005/XXX+13 | | scale 6:1 | | sheet 1 of 6 size | | |
| L | V71494 | HTB | 1997-10-24 | 0° ±2' | XXXX+0020/XXX+051 | FCI | | 48283 | | A4 | |
| M | V92858 | DLW | 1999-08-30 | dr | S. RAMP | 1989-07-11 | | dwg no | | sheet 1 of 6 size | |
| N | V05-0387 | HTB | 2005-04-26 | ENGR | K.D. PATEL | 1989-07-11 | | 84283 | | A4 | |
| P | V06-0685 | HTB | 2006-07-26 | chr | K.D. PATEL | 1989-07-11 | | type | | CUSTOMER Drawing | |
| R | V08-0379 | HTB | 2008-09-02 | app'd | K.D. PATEL | 1989-07-11 | | | | | |
| sheet index | revision | R | R | R | R | R | R | | | | |
| | sheet | 1 | 2 | 3 | 4 | 5 | 6 | | | | |

| PRODUCT NUMBER NOTE 12 | CONTACT AREA DIM A | DIM H | OVERALL LENGTH DIM L | DIM R | CORRESPONDING P/N W/RETENTION NICKS | PLATING CODE |
|---------------------------|-------------------------|--------------|-------------------------|--------------|--|-----------------|
| 48283-001 | .308 / 7.82 | .328 / 8.33 | .450 / 11.43 | .060 / 1.52 | 47310-000 | OBSOLETE |
| 48283-001LF | .308 / 7.82 | .328 / 8.33 | .450 / 11.43 | .060 / 1.52 | 47310-000LF | 4 |
| 48283-002 | .558 / 14.17 | .578 / 14.68 | .700 / 17.78 | .060 / 1.52 | 48124-000 | OBSOLETE |
| 48283-002LF | .558 / 14.17 | .578 / 14.68 | .700 / 17.78 | .060 / 1.52 | 48124-000LF | 4 |
| 48283-003 | .698 / 17.73 | .718 / 18.24 | .840 / 21.34 | .060 / 1.52 | 47312-000 | OBSOLETE |
| 48283-003LF | .698 / 17.73 | .718 / 18.24 | .840 / 21.34 | .060 / 1.52 | 47312-000LF | 4 |
| 48283-004 | .748 / 19.00 | .768 / 19.51 | .890 / 22.61 | .060 / 1.52 | 47313-000 | OBSOLETE |
| 48283-004LF | .748 / 19.00 | .768 / 19.51 | .890 / 22.61 | .060 / 1.52 | 47313-000LF | 4 |
| 48283-005 | .558 / 14.17 | .578 / 14.68 | 1.210 / 30.73 | .570 / 14.48 | 47314-000 | OBSOLETE |
| 48283-005LF | .558 / 14.17 | .578 / 14.68 | 1.210 / 30.73 | .570 / 14.48 | 47314-000LF | 4 |
| 48283-006 | .558 / 14.17 | .578 / 14.68 | 1.400 / 35.56 | .760 / 19.30 | 47315-000 | OBSOLETE |
| 48283-006LF | .558 / 14.17 | .578 / 14.68 | 1.400 / 35.56 | .760 / 19.30 | 47315-000LF | 4 |
| 48283-007 | .698 / 17.73 | .718 / 18.24 | 1.485 / 37.72 | .705 / 17.91 | 47316-000 | OBSOLETE |
| 48283-007LF | .698 / 17.73 | .718 / 18.24 | 1.485 / 37.72 | .705 / 17.91 | 47316-000LF | 4 |
| 48283-008 | .228 / 5.79 | .248 / 6.30 | .370 / 9.40 | .060 / 1.52 | 47317-000 | OBSOLETE |
| 48283-008LF | .228 / 5.79 | .248 / 6.30 | .370 / 9.40 | .060 / 1.52 | 47317-000LF | 4 |
| 48283-009 | .558 / 14.17 | .578 / 14.68 | .880 / 22.35 | .240 / 6.10 | 47318-000 | OBSOLETE |
| 48283-009LF | .558 / 14.17 | .578 / 14.68 | .880 / 22.35 | .240 / 6.10 | 47318-000LF | 4 |
| 48283-010 | .583 / 14.81 | .603 / 15.32 | 1.000 / 25.40 | .335 / 8.51 | 47319-000 | OBSOLETE |
| 48283-010LF | .583 / 14.81 | .603 / 15.32 | 1.000 / 25.40 | .335 / 8.51 | 47319-000LF | 4 |
| 48283-011 | .308 / 7.82 | .358 / 9.09 | .450 / 11.43 | .060 / 1.52 | 47330-000 & 48084-000 | 1 |
| 48283-011LF | .308 / 7.82 | .358 / 9.09 | .450 / 11.43 | .060 / 1.52 | 47330-000LF & 48084-000LF | 1 |
| 48283-012 | .558 / 14.17 | .578 / 14.68 | .700 / 17.78 | .060 / 1.52 | 48032-000 | 1 |
| 48283-012LF | .558 / 14.17 | .578 / 14.68 | .700 / 17.78 | .060 / 1.52 | 48032-000LF | 1 |
| 48283-013 | .698 / 17.73 | .718 / 18.24 | .840 / 21.34 | .060 / 1.52 | 47332-000 | 1 |
| 48283-013LF | .698 / 17.73 | .718 / 18.24 | .840 / 21.34 | .060 / 1.52 | 47332-000LF | 1 |
| 48283-014 | SUPERCEDED BY 48283-059 | | | | | |
| 48283-015 | .558 / 14.17 | .578 / 14.68 | 1.210 / 30.73 | .570 / 14.48 | 47334-000 | 1 |
| 48283-015LF | .558 / 14.17 | .578 / 14.68 | 1.210 / 30.73 | .570 / 14.48 | 47334-000LF | 1 |
| 48283-016 | .558 / 14.17 | .578 / 14.68 | 1.400 / 35.56 | .760 / 19.30 | 47335-000 | 1 |
| 48283-016LF | .558 / 14.17 | .578 / 14.68 | 1.400 / 35.56 | .760 / 19.30 | 47335-000LF | 1 |
| 48283-017 | .698 / 17.73 | .718 / 18.24 | 1.485 / 37.72 | .705 / 17.91 | 47336-000 | 1 |
| 48283-017LF | .698 / 17.73 | .718 / 18.24 | 1.485 / 37.72 | .705 / 17.91 | 47336-000LF | 1 |
| 48283-018 | .228 / 5.79 | .248 / 6.30 | .370 / 9.40 | .060 / 1.52 | 47337-000 | 1 |
| 48283-018LF | .228 / 5.79 | .248 / 6.30 | .370 / 9.40 | .060 / 1.52 | 47337-000LF | 1 |

NOTES:

- ①. MATERIAL: POST 3/4 HARD BRONZE ASTM B-159-66,
FERRULE 1/2 HARD CARTRIDGE BRASS ASTM B-36-67.
2. CENTER LINE OF THE TERMINAL MUST BE IN THE TRUE POSITION IN RESPECT TO THE .015 [0.38] DIA AFTER INSERTION IN PC BOARD.
- ③. BURNISH MARKS ON PINS PERMITTED.
4. TWO SIDES OF LEAD-IN NOT PLATED, TYP. BOTH ENDS.
- ⑤. R .002 [0.05] MAX TYP ON WIRE WRAP PORTION OF POST.
6. POST TO FERRULE RETENTION 8 LBS MIN BEFORE STAKING.
7. POST IS BONDED TO FERRULE.
- ⑧. FLAT MAY GO TO .016 [0.41] MAX WHEN DIM "R" IS UNDER .20 [5.1].
9. .015 [0.38] MAX SOLDER PERMISSIBLE ABOVE AND BELOW THE FERRULE ON THE SURFACE OF THE PIN.
- ⑩. SOLDER SPOTS PERMISSIBLE .030 [0.76] FROM END BELOW FERRULE ONLY.
11. SEE PRODUCT SPECIFICATION BUS-12-040 FOR P.C. BOARD HOLE DIAMETER AND P.C. BOARD HOLE PLATING INFORMATION.
- ⑫. ADD AN LF SUFFIX TO PART NUMBERS FOR PRODUCT THAT MEETS EUROPEAN UNION DIRECTIVES AND OTHER COUNTRY REGULATIONS AS DESCRIBED IN GS-22-008. PLATING CODE 4 AVAILABLE AS LF (TIN) ONLY.
- ⑬. THIS PRODUCT HAS 100% TIN PLATING IN THE INTERFACE AND HAS NOT BEEN TESTED FOR WHISKER GROWTH IN ALL INTERCONNECT ENVIRONMENTS.

| | | | | | | | | | |
|---------------------------|----------|---|------|---------------------------------------|----------------------------|----------------|--|--|--|
| mat'l. code SEE NOTE 1 | | surface ASME Y14.5 <input checked="" type="checkbox"/> | | tolerance ASME Y14.5 | | projection | | product family PIN PRODUCTS | |
| ltr | ecn no | dr | date | tolerances unless otherwise specified | | | | title | |
| R | | | | angles | $XX \pm 01 / X \pm 3$ | INCH/MM | | BERGPOST® .200"[5.08]cc WITHOUT RETENTION NICKS | |
| | | | | | $XXX \pm 005 / XXX \pm 13$ | scale 1:1 | | dwg no | |
| | | | | dr | S. RAMP | 1989-07-11 | | sheet 2 of 6 size | |
| | | | | engr | K.D. PATEL | 1989-07-11 | | 48283 A4 | |
| | | | | chr | K.D. PATEL | 1989-07-11 | | type | |
| | | | | appd | K.D. PATEL | 1989-07-11 | | CUSTOMER Drawing | |
| sheet index | revision | | | | | | | | |



| PRODUCT NUMBER NOTE 12 | CONTACT AREA DIM A | DIM H | OVERALL LENGTH DIM L | DIM R | CORRESPONDING P/N W/RETENTION NICKS | PLATING CODE |
|---------------------------|-----------------------|--------------|-------------------------|--------------|--|-----------------|
| 48283-019 | .558 / 14.17 | .578 / 14.68 | .880 / 22.35 | .240 / 6.10 | 47338-000 | 1 |
| 48283-019LF | .558 / 14.17 | .578 / 14.68 | .880 / 22.35 | .240 / 6.10 | 47338-000LF | 1 |
| 48283-020 | .380 / 9.65 | .400 / 10.16 | .522 / 13.26 | .060 / 1.52 | 47340-000 | 3 |
| 48283-020LF | .380 / 9.65 | .400 / 10.16 | .522 / 13.26 | .060 / 1.52 | 47340-000LF | 3 |
| 48283-021 | .520 / 13.21 | .540 / 13.72 | .662 / 16.81 | .060 / 1.52 | 47341-000 | 3 |
| 48283-021LF | .520 / 13.21 | .540 / 13.72 | .662 / 16.81 | .060 / 1.52 | 47341-000LF | 3 |
| 48283-022 | .380 / 9.65 | .400 / 10.16 | .772 / 19.61 | .320 / 8.13 | 47342-000 | 3 |
| 48283-022LF | .380 / 9.65 | .400 / 10.16 | .772 / 19.61 | .320 / 8.13 | 47342-000LF | 3 |
| 48283-023 | .520 / 13.21 | .540 / 13.72 | .912 / 23.16 | .320 / 8.13 | 47343-000 | 3 |
| 48283-023LF | .520 / 13.21 | .540 / 13.72 | .912 / 23.16 | .320 / 8.13 | 47343-000LF | 3 |
| 48283-024 | .380 / 9.65 | .400 / 10.16 | .522 / 13.26 | .060 / 1.52 | 47344-000 | OBSOLETE |
| 48283-024LF | .380 / 9.65 | .400 / 10.16 | .522 / 13.26 | .060 / 1.52 | 47344-000LF | 4 |
| 48283-025 | .520 / 13.21 | .540 / 13.72 | .662 / 16.81 | .060 / 1.52 | 47345-000 | OBSOLETE |
| 48283-025LF | .520 / 13.21 | .540 / 13.72 | .662 / 16.81 | .060 / 1.52 | 47345-000LF | 4 |
| 48283-026 | .380 / 9.65 | .400 / 10.16 | .772 / 19.61 | .320 / 8.13 | 47346-000 | OBSOLETE |
| 48283-026LF | .380 / 9.65 | .400 / 10.16 | .772 / 19.61 | .320 / 8.13 | 47346-000LF | 4 |
| 48283-027 | .520 / 13.21 | .540 / 13.72 | .912 / 23.16 | .320 / 8.13 | 47347-000 | OBSOLETE |
| 48283-027LF | .520 / 13.21 | .540 / 13.72 | .912 / 23.16 | .320 / 8.13 | 47347-000LF | 3 |
| 48283-028 | .228 / 5.79 | .248 / 6.30 | .550 / 13.97 | .240 / 6.10 | 47349-000 | 3 |
| 48283-028LF | .228 / 5.79 | .248 / 6.30 | .550 / 13.97 | .240 / 6.10 | 47349-000LF | 3 |
| 48283-029 | .323 / 8.20 | .343 / 8.71 | .463 / 11.76 | .058 / 1.47 | 47350-000 | 3 |
| 48283-029LF | .323 / 8.20 | .343 / 8.71 | .463 / 11.76 | .058 / 1.47 | 47350-000LF | 3 |
| 48283-030 | .573 / 14.55 | .593 / 15.06 | .715 / 18.16 | .060 / 1.52 | 47351-000 | 3 |
| 48283-030LF | .573 / 14.55 | .593 / 15.06 | .715 / 18.16 | .060 / 1.52 | 47351-000LF | 3 |
| 48283-031 | .698 / 17.73 | .718 / 18.24 | .840 / 21.34 | .060 / 1.52 | 47352-000 | 3 |
| 48283-031LF | .698 / 17.73 | .718 / 18.24 | .840 / 21.34 | .060 / 1.52 | 47352-000LF | 3 |
| 48283-032 | .763 / 19.38 | .783 / 19.89 | .905 / 22.99 | .060 / 1.52 | 47353-000 | 3 |
| 48283-032LF | .763 / 19.38 | .783 / 19.89 | .905 / 22.99 | .060 / 1.52 | 47353-000LF | 3 |
| 48283-033 | .573 / 14.55 | .593 / 15.06 | 1.240 / 31.50 | .585 / 14.86 | 47354-000 | 3 |
| 48283-033LF | .573 / 14.55 | .593 / 15.06 | 1.240 / 31.50 | .585 / 14.86 | 47354-000LF | 3 |
| 48283-034 | .573 / 14.55 | .593 / 15.06 | 1.430 / 36.32 | .775 / 19.69 | 47355-000 | 3 |
| 48283-034LF | .573 / 14.55 | .593 / 15.06 | 1.430 / 36.32 | .775 / 19.69 | 47355-000LF | 3 |
| 48283-035 | .698 / 17.73 | .718 / 18.24 | 1.485 / 37.72 | .705 / 17.91 | 47356-000 | 3 |
| 48283-035LF | .698 / 17.73 | .718 / 18.24 | 1.485 / 37.72 | .705 / 17.91 | 47356-000LF | 3 |

A

A

B

B

| | | | | | | | | | |
|-------------|----------------|------------|------|---------------------------------------|------------|------------|-----------|--------------------------|--|
| mat'l. code | | surface | | tolerance | | projection | | product family | |
| SEE NOTE 1 | | ASME Y14.5 | | ASME Y14.5 | | | | PIN PRODUCTS | |
| ltr | ecn no | dr | date | tolerances unless otherwise specified | | | | title | |
| R | | | | angles | inches | feet | INCH/MM | BERGPOST® .200"[5.08]cc | |
| | | | | | | | scale 1:1 | WITHOUT RETENTION NICKS | |
| | | | | dr | S. RAMP | 1989-07-11 | | dwg no sheet 3 of 6 size | |
| | | | | engr | K.D. PATEL | 1989-07-11 | | 48283 A4 | |
| | | | | chr | K.D. PATEL | 1989-07-11 | | type CUSTOMER Drawing | |
| | | | | appd | K.D. PATEL | 1989-07-11 | | | |
| sheet index | revision sheet | | | | | | | | |



| PRODUCT NUMBER NOTE 12 | CONTACT AREA DIM A | DIM H | OVERALL LENGTH DIM L | DIM R | CORRESPONDING P/N W/RETENTION NICKS | PLATING CODE |
|---------------------------|-----------------------|--------------|-------------------------|--------------|--|-----------------|
| 48283-036 | .228 / 5.79 | .248 / 6.30 | .370 / 9.40 | .060 / 1.52 | 47357-000 | 3 |
| 48283-036LF | .228 / 5.79 | .248 / 6.30 | .370 / 9.40 | .060 / 1.52 | 47357-000LF | 3 |
| 48283-037 | .573 / 14.55 | .593 / 15.06 | .895 / 22.73 | .240 / 6.10 | 47358-000 | 3 |
| 48283-037LF | .573 / 14.55 | .593 / 15.06 | .895 / 22.73 | .240 / 6.10 | 47358-000LF | 3 |
| 48283-038 | .448 / 11.38 | .468 / 11.89 | .590 / 14.99 | .060 / 1.52 | 47359-000 | 3 |
| 48283-038LF | .448 / 11.38 | .468 / 11.89 | .590 / 14.99 | .060 / 1.52 | 47359-000LF | 3 |
| 48283-039 | .485 / 12.32 | .505 / 12.83 | .960 / 24.38 | .393 / 9.98 | 47600-000 | 3 |
| 48283-039LF | .485 / 12.32 | .505 / 12.83 | .960 / 24.38 | .393 / 9.98 | 47600-000LF | 3 |
| 48283-040 | .380 / 9.65 | .400 / 10.16 | .522 / 13.26 | .060 / 1.52 | 47762-000 | 3 |
| 48283-040LF | .380 / 9.65 | .400 / 10.16 | .522 / 13.26 | .060 / 1.52 | 47762-000LF | 3 |
| 48283-041 | .583 / 14.81 | .603 / 15.32 | 1.000 / 25.40 | .335 / 8.51 | 47799-000 | 3 |
| 48283-041LF | .583 / 14.81 | .603 / 15.32 | 1.000 / 25.40 | .335 / 8.51 | 47799-000LF | 3 |
| 48283-042 | .520 / 13.21 | .540 / 13.72 | .912 / 23.16 | .320 / 8.13 | 47800-000 | 3 |
| 48283-042LF | .520 / 13.21 | .540 / 13.72 | .912 / 23.16 | .320 / 8.13 | 47800-000LF | 3 |
| 48283-043 | .558 / 14.17 | .578 / 14.68 | .700 / 17.78 | .060 / 1.52 | 47804-000 | 3 |
| 48283-043LF | .558 / 14.17 | .578 / 14.68 | .700 / 17.78 | .060 / 1.52 | 47804-000LF | 3 |
| 48283-044 | .615 / 15.62 | .628 / 15.95 | 1.010 / 25.65 | .320 / 8.13 | 47816-000 | 3 |
| 48283-044LF | .615 / 15.62 | .628 / 15.95 | 1.010 / 25.65 | .320 / 8.13 | 47816-000LF | 3 |
| 48283-045 | .323 / 8.20 | .343 / 8.71 | .465 / 11.81 | .060 / 1.52 | 47824-000 | OBSOLETE |
| 48283-045LF | .323 / 8.20 | .343 / 8.71 | .465 / 11.81 | .060 / 1.52 | 47824-000LF | 4 |
| 48283-046 | .583 / 14.81 | .603 / 15.32 | 1.075 / 27.31 | .410 / 10.41 | 48031-000 | 1 |
| 48283-046LF | .583 / 14.81 | .603 / 15.32 | 1.075 / 27.31 | .410 / 10.41 | 48031-000LF | 1 |
| 48283-047 | .240 / 6.10 | .260 / 6.60 | .732 / 18.59 | .410 / 10.41 | 48034-000 | 1 |
| 48283-047LF | .240 / 6.10 | .260 / 6.60 | .732 / 18.59 | .410 / 10.41 | 48034-000LF | 1 |
| 48283-048 | .390 / 9.91 | .410 / 10.41 | 1.075 / 27.31 | .603 / 15.32 | 48033-000 | 1 |
| 48283-048LF | .390 / 9.91 | .410 / 10.41 | 1.075 / 27.31 | .603 / 15.32 | 48033-000LF | 1 |
| 48283-049 | .380 / 9.65 | .400 / 10.16 | .710 / 18.03 | .248 / 6.30 | 47998-000 | 3 |
| 48283-049LF | .380 / 9.65 | .400 / 10.16 | .710 / 18.03 | .248 / 6.30 | 47998-000LF | 3 |
| 48283-050 | .308 / 7.82 | .328 / 8.33 | .450 / 11.43 | .060 / 1.52 | 48004-000 | OBSOLETE |
| 48283-050LF | .308 / 7.82 | .328 / 8.33 | .450 / 11.43 | .060 / 1.52 | 48004-000LF | 4 |
| 48283-051 | .630 / 16.00 | .650 / 16.51 | 1.122 / 28.50 | .410 / 10.41 | 48035-000 | 1 |
| 48283-051LF | .630 / 16.00 | .650 / 16.51 | 1.122 / 28.50 | .410 / 10.41 | 48035-000LF | 1 |
| 48283-052 | .390 / 9.91 | .410 / 10.41 | 1.122 / 28.50 | .650 / 16.51 | 48036-000 | 1 |
| 48283-052LF | .390 / 9.91 | .410 / 10.41 | 1.122 / 28.50 | .650 / 16.51 | 48036-000LF | 1 |
| 48283-053 | .255 / 6.48 | .275 / 6.99 | .772 / 19.61 | .435 / 11.05 | 48008-000 | 3 |
| 48283-053LF | .255 / 6.48 | .275 / 6.99 | .772 / 19.61 | .435 / 11.05 | 48008-000LF | 3 |

| | | | | | | | | |
|-------------|------------|---------|------------|---------------------------------------|----------------------------------|-------------|--|-------------------|
| mat'l. code | SEE NOTE 1 | surface | ASME Y14.5 | tolerance | ASME Y14.5 | projection | product family | PIN PRODUCTS |
| ltr | ecn no | dr | date | tolerances unless otherwise specified | | INCH/MM | title | |
| R | | | | angles | XX*.01/XX*.3 XXX*.005/XXX*.13 | | BERGPOST® .200"[5.08]cc WITHOUT RETENTION NICKS | |
| | | | | 0'±2' | XXXX*.0020/XXX*.051 | scale | 1:1 | sheet 4 of 6 size |
| | | dr | S. RAMP | 1989-07-11 | | | | dwg no |
| | | engr | K.D. PATEL | 1989-07-11 | | | | 48283 |
| | | chr | K.D. PATEL | 1989-07-11 | | | | A4 |
| | | appd | K.D. PATEL | 1989-07-11 | | | | type |
| sheet | revision | | | | | | | CUSTOMER Drawing |
| index | sheet | | | | | | | |



| PRODUCT NUMBER NOTE 12 | CONTACT AREA DIM A | DIM H | OVERALL LENGTH DIM L | DIM R | CORRESPONDING P/N W/RETENTION NICKS | PLATING CODE |
|---------------------------|-----------------------|--------------|-------------------------|--------------|--|-----------------|
| 48283-054 | .255 / 6.48 | .275 / 6.99 | .642 / 16.31 | .305 / 7.75 | 48009-000 | 3 |
| 48283-054LF | .255 / 6.48 | .275 / 6.99 | .642 / 16.31 | .305 / 7.75 | 48009-000LF | 3 |
| 48283-055 | .651 / 16.54 | .671 / 17.04 | .793 / 20.14 | .060 / 1.52 | 48010-000 | 1 |
| 48283-055LF | .651 / 16.54 | .671 / 17.04 | .793 / 20.14 | .060 / 1.52 | 48010-000LF | 1 |
| 48283-056 | .500 / 12.70 | .520 / 13.21 | .640 / 16.26 | .058 / 1.47 | 48011-000 | OBSOLETE |
| 48283-056LF | .500 / 12.70 | .520 / 13.21 | .640 / 16.26 | .058 / 1.47 | 48011-000LF | 4 |
| 48283-057 | .250 / 6.35 | .270 / 6.86 | .572 / 14.53 | .240 / 6.10 | 48019-000 | 1 |
| 48283-057LF | .250 / 6.35 | .270 / 6.86 | .572 / 14.53 | .240 / 6.10 | 48019-000LF | 1 |
| 48283-058 | .250 / 6.35 | .270 / 6.86 | .390 / 9.91 | .058 / 1.47 | 48020-000 | 1 |
| 48283-058LF | .250 / 6.35 | .270 / 6.86 | .390 / 9.91 | .058 / 1.47 | 48020-000LF | 1 |
| 48283-059 | .750 / 19.05 | .770 / 19.56 | .892 / 22.66 | .060 / 1.52 | 48021-000 | 1 |
| 48283-059LF | .750 / 19.05 | .770 / 19.56 | .892 / 22.66 | .060 / 1.52 | 48021-000LF | 1 |
| 48283-060 | .380 / 9.65 | .400 / 10.16 | .880 / 22.35 | .418 / 10.62 | 48022-000 | 1 |
| 48283-060LF | .380 / 9.65 | .400 / 10.16 | .880 / 22.35 | .418 / 10.62 | 48022-000LF | 1 |
| 48283-061 | .280 / 7.11 | .300 / 7.62 | .552 / 14.02 | .190 / 4.83 | 48028-000 | 1 |
| 48283-061LF | .280 / 7.11 | .300 / 7.62 | .552 / 14.02 | .190 / 4.83 | 48028-000LF | 1 |
| 48283-062 | .338 / 8.59 | .358 / 9.09 | .478 / 12.14 | .058 / 1.47 | 48042-000 | 1 |
| 48283-062LF | .338 / 8.59 | .358 / 9.09 | .478 / 12.14 | .058 / 1.47 | 48042-000LF | 1 |
| 48283-063 | .250 / 6.35 | .270 / 6.86 | .650 / 16.51 | .318 / 8.08 | 48087-000 | 1 |
| 48283-063LF | .250 / 6.35 | .270 / 6.86 | .650 / 16.51 | .318 / 8.08 | 48087-000LF | 1 |
| 48283-064 | .228 / 5.79 | .248 / 6.30 | .550 / 13.97 | .240 / 6.10 | 48089-000 | OBSOLETE |
| 48283-064LF | .228 / 5.79 | .248 / 6.30 | .550 / 13.97 | .240 / 6.10 | 48089-000LF | 4 |
| 48283-065 | .380 / 9.65 | .400 / 10.16 | .960 / 24.38 | .498 / 12.65 | 48114-000 | OBSOLETE |
| 48283-065LF | .380 / 9.65 | .400 / 10.16 | .960 / 24.38 | .498 / 12.65 | 48114-000LF | 4 |
| 48283-066 | .698 / 17.73 | .718 / 18.24 | 1.000 / 25.40 | .225 / 5.72 | 48122-000 | OBSOLETE |
| 48283-066LF | .698 / 17.73 | .718 / 18.24 | 1.000 / 25.40 | .225 / 5.72 | 48122-000LF | 4 |
| 48283-067 | .755 / 19.18 | .775 / 19.69 | 1.260 / 32.00 | .420 / 10.67 | 48179-000 | 1 |
| 48283-067LF | .755 / 19.18 | .775 / 19.69 | 1.260 / 32.00 | .420 / 10.67 | 48179-000LF | 1 |
| 48283-068 | .228 / 5.79 | .248 / 6.30 | .368 / 9.35 | .058 / 1.47 | 48206-000 | OBSOLETE |
| 48283-068LF | .228 / 5.79 | .248 / 6.30 | .368 / 9.35 | .058 / 1.47 | 48206-000LF | 4 |
| 48283-069 | .280 / 7.11 | .300 / 7.62 | .552 / 14.02 | .190 / 4.83 | 48267-000 | OBSOLETE |
| 48283-069LF | .280 / 7.11 | .300 / 7.62 | .552 / 14.02 | .190 / 4.83 | 48267-000LF | 4 |
| 48283-070 | .500 / 12.70 | .520 / 13.21 | .640 / 16.26 | .058 / 1.47 | 48277-000 | 1 |
| 48283-070LF | .500 / 12.70 | .520 / 13.21 | .640 / 16.26 | .058 / 1.47 | 48277-000LF | 1 |

| | | | | | | | | | |
|---------------------------|----------|---|--------------|---|-------------------------------|----------------|--------------|--------------------------------|------------------|
| mat'l. code SEE NOTE 1 | | surface ASME Y14.5 <input checked="" type="checkbox"/> | | tolerance ASME Y14.5 <input checked="" type="checkbox"/> | | projection | | product family PIN PRODUCTS | |
| ltr | ecn no | dr | date | tolerances unless otherwise specified | | | | title | |
| R | | | | angles | $XX \pm 01 / X \pm 3$ | INCH/MM | | BERGPOST® .200"[5.08]cc | |
| | | | | | $XXX \pm 005 / XXX \pm 13$ | scale 1:1 | | WITHOUT RETENTION NICKS | |
| | | | | | $XXXX \pm 0020 / XXX \pm 051$ | | | dwg no | |
| | | dr | T. BREWBAKER | 2008-09-03 | | | sheet 5 of 6 | | size |
| | | engr | T. BREWBAKER | 2008-09-03 | | | 48283 | | A4 |
| | | chr | T. BREWBAKER | 2008-09-03 | | | FCI | | |
| | | appd | T. BREWBAKER | 2008-09-03 | | | type | | CUSTOMER Drawing |
| sheet index | revision | | | | | | | | |
| | sheet | | | | | | | | |



| PRODUCT NUMBER NOTE 12 | CONTACT AREA DIM A | DIM H | OVERALL LENGTH DIM L | DIM R | CORRESPONDING P/N W/RETENTION NICKS | PLATING CODE |
|---------------------------|-----------------------|--------------|-------------------------|--------------|--|-----------------|
| 48283-071 | .573 / 14.55 | .593 / 15.06 | .895 / 22.73 | .240 / 6.10 | 48081-000 | OBSOLETE |
| 48283-071LF | .573 / 14.55 | .593 / 15.06 | .895 / 22.73 | .240 / 6.10 | 48081-000LF | 4 |
| 48283-072 | .400 / 10.16 | .420 / 10.67 | .920 / 23.37 | .410 / 10.41 | 48217-000 | 1 |
| 48283-072LF | .400 / 10.16 | .420 / 10.67 | .920 / 23.37 | .410 / 10.41 | 48217-000LF | 1 |
| 48283-073 | .630 / 16.00 | .650 / 16.51 | .700 / 17.78 | .058 / 1.47 | 48218-000 | 1 |
| 48283-073LF | .630 / 16.00 | .650 / 16.51 | .700 / 17.78 | .058 / 1.47 | 48218-000LF | 1 |
| 48283-074 | .583 / 14.81 | .603 / 15.32 | 1.075 / 27.31 | .410 / 10.41 | 48219-000 | 9 |
| 48283-074LF | .583 / 14.81 | .603 / 15.32 | 1.075 / 27.31 | .410 / 10.41 | 48219-000LF | 9 |
| 48283-075 | .558 / 14.17 | .578 / 14.68 | .700 / 17.78 | .060 / 1.52 | 48220-000 | 9 |
| 48283-075LF | .558 / 14.17 | .578 / 14.68 | .700 / 17.78 | .060 / 1.52 | 48220-000LF | 9 |
| 48283-076 | .390 / 9.91 | .410 / 10.41 | 1.075 / 27.31 | .603 / 15.32 | 48221-000 | 9 |
| 48283-076LF | .390 / 9.91 | .410 / 10.41 | 1.075 / 27.31 | .603 / 15.32 | 48221-000LF | 9 |
| 48283-077 | .240 / 6.10 | .260 / 6.60 | .732 / 18.59 | .410 / 10.41 | 48222-000 | 9 |
| 48283-077LF | .240 / 6.10 | .260 / 6.60 | .732 / 18.59 | .410 / 10.41 | 48222-000LF | 9 |
| 48283-078 | .630 / 16.00 | .650 / 16.51 | 1.122 / 28.50 | .410 / 10.41 | 48223-000 | 9 |
| 48283-078LF | .630 / 16.00 | .650 / 16.51 | 1.122 / 28.50 | .410 / 10.41 | 48223-000LF | 9 |
| 48283-079 | .390 / 9.91 | .410 / 10.41 | 1.122 / 28.50 | .650 / 16.51 | 48224-000 | 9 |
| 48283-079LF | .390 / 9.91 | .410 / 10.41 | 1.122 / 28.50 | .650 / 16.51 | 48224-000LF | 9 |
| 48283-080 | .308 / 7.82 | .328 / 8.33 | .450 / 11.43 | .060 / 1.52 | 48225-000 | 9 |
| 48283-080LF | .308 / 7.82 | .328 / 8.33 | .450 / 11.43 | .060 / 1.52 | 48225-000LF | 9 |
| 48283-081 | .400 / 10.16 | .420 / 10.67 | .892 / 22.66 | .410 / 10.41 | 48226-000 | 9 |
| 48283-081LF | .400 / 10.16 | .420 / 10.67 | .892 / 22.66 | .410 / 10.41 | 48226-000LF | 9 |
| 48283-082 | .630 / 16.00 | .650 / 16.51 | .770 / 19.56 | .058 / 1.47 | 48227-000 | 9 |
| 48283-082LF | .630 / 16.00 | .650 / 16.51 | .770 / 19.56 | .058 / 1.47 | 48227-000LF | 9 |
| 48283-083 | .630 / 16.00 | .650 / 16.51 | 1.122 / 28.50 | .410 / 10.41 | 48228-000 | OBSOLETE |
| 48283-083LF | .630 / 16.00 | .650 / 16.51 | 1.122 / 28.50 | .410 / 10.41 | 48228-000LF | 4 |
| 48283-084 | .630 / 16.00 | .650 / 16.51 | 1.122 / 28.50 | .410 / 10.41 | 48265-000 | 3 |
| 48283-084LF | .630 / 16.00 | .650 / 16.51 | 1.122 / 28.50 | .410 / 10.41 | 48265-000LF | 3 |
| 48283-085 | .573 / 14.55 | .593 / 15.06 | .895 / 22.73 | .240 / 6.10 | 48278-000 | 9 |
| 48283-085LF | .573 / 14.55 | .593 / 15.06 | .895 / 22.73 | .240 / 6.10 | 48278-000LF | 9 |
| 48283-086 | .345 / 8.76 | .355 / 9.02 | .662 / 16.81 | .245 / 6.22 | 48312-000 | 3 |
| 48283-086LF | .345 / 8.76 | .355 / 9.02 | .662 / 16.81 | .245 / 6.22 | 48312-000LF | 3 |
| 48283-087 | .323 / 8.20 | .343 / 8.71 | .463 / 11.76 | .058 / 1.47 | 48350-000 | 1 |
| 48283-087LF | .323 / 8.20 | .343 / 8.71 | .463 / 11.76 | .058 / 1.47 | 48350-000LF | 1 |

| | | | | | | | | | | |
|---------------------------|----------|---|--------------|---------------------------------------|-----------------------------|----------------|--|---|-----------------------|--|
| mat'l. code SEE NOTE 1 | | surface ASME Y14.5 <input checked="" type="checkbox"/> | | tolerance ASME Y14.5 | | projection | | product family PIN PRODUCTS | | |
| ltr | ecn no | dr | date | tolerances unless otherwise specified | | | | title BERGPOST® .200"[5.08]cc WITHOUT RETENTION NICKS | | |
| R | | | | angles | $XX \pm 01/XX \pm 3$ | scale 1:1 | | sheet 6 of 6 size | | |
| | | | | | $XXX \pm 005/XXX \pm 13$ | | | dwg no 48283 | | |
| | | | | | $XXXX \pm 0020/XXX \pm 051$ | | | A4 | | |
| | | dr | T. BREWBAKER | 2008-09-03 | | | | | type CUSTOMER Drawing | |
| | | engr | T. BREWBAKER | 2008-09-03 | | | | | | |
| | | chr | T. BREWBAKER | 2008-09-03 | | | | | | |
| | | appd | T. BREWBAKER | 2008-09-03 | | | | | | |
| sheet index | revision | | | | | | | | | |
| | sheet | | | | | | | | | |

Mouser Electronics

Authorized Distributor

Click to View Pricing, Inventory, Delivery & Lifecycle Information:

[FCI / Amphenol:](#)

[48283-058](#) [48283-087LF](#) [48283-018LF](#) [48283-059LF](#) [48283-057LF](#)