

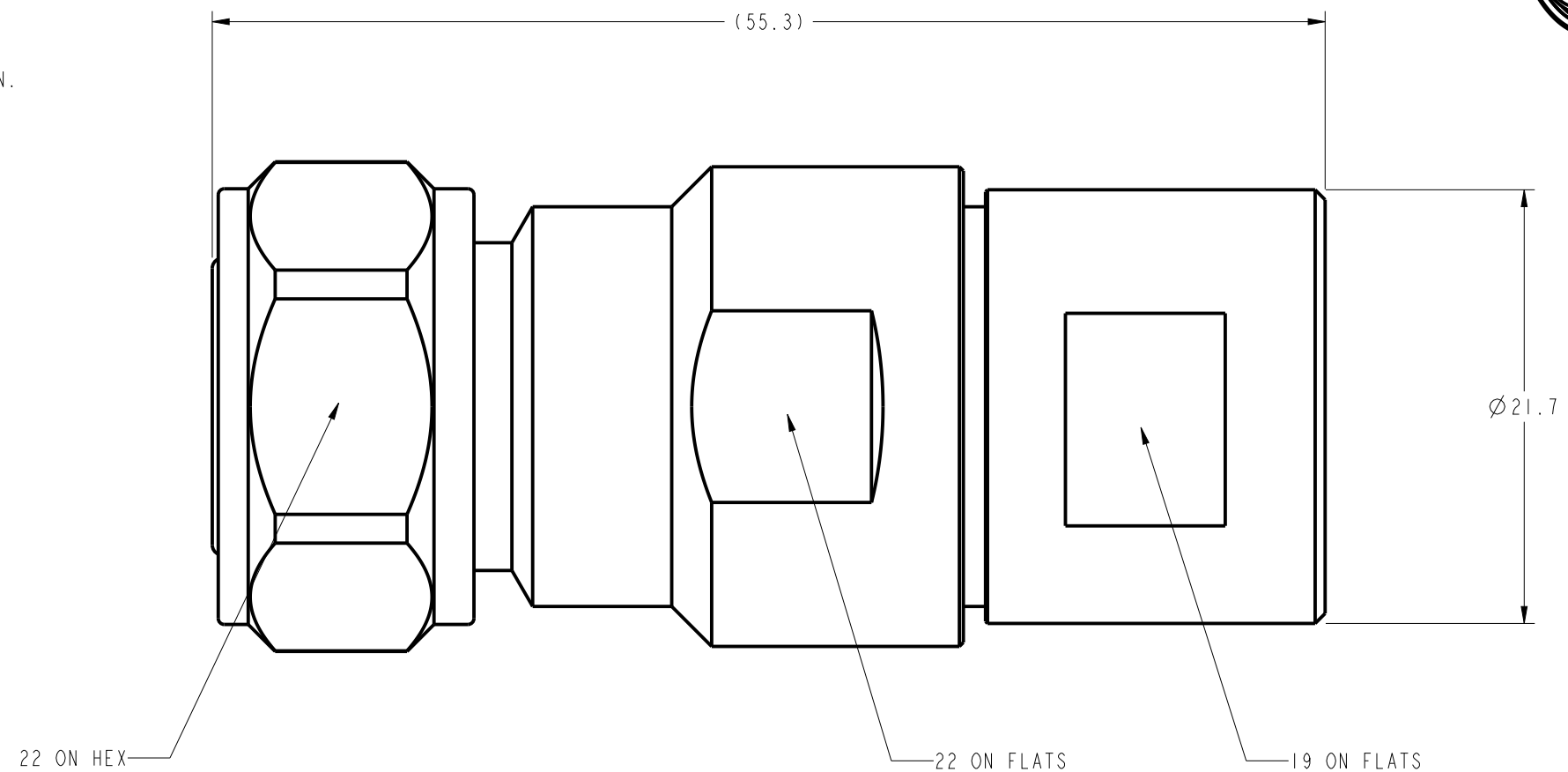
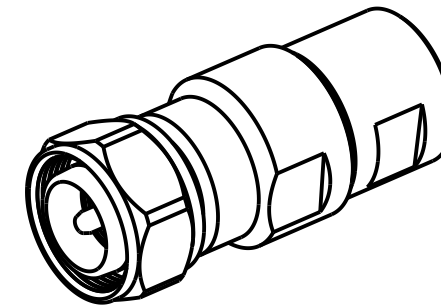
NOTES:

1. MATERIALS AND FINISHES:  
 BODY - BRASS, COPPER-TIN-ZINC PLATING (.00012 IN THICK)  
 CONTACTS - COPPER, SILVER PLATING (.0002 IN THICK)  
 NUT - BRASS, WHITE BROZE PLATING(.0002 IN THICK)  
 INSULATOR - PTFE  
 O-RING - SILICONE RUBBER
2. ELECTRICAL:  
 A. IMPEDANCE: 50 OHM  
 B. FREQUENCY RANGE: DC - 3.6 GHz  
 C. VSWR(RETURN LOSS): 1.1:1 MAX (0-3.6GHz)  
 D. DIELECTRIC WITHSTANDING VOLTAGE: 2500 VRMS, MIN.  
 E. INTERMODULATION: ≤-160 dBc (2 X 43 dBm)  
 F. INSULATION RESISTANCE: 5000 mΩ  
 G. CONTACT RESISTANCE: OUTER CONDUCTOR <1.0 mΩ  
 INNER CONDUCTOR <1.0 mΩ
3. MECHANICAL:  
 A. DURABILITY: 100 CYCLES MIN.  
 B. TEMPERATURE RANGE: -40° C TO +85° C
4. ENVIRONMENTAL:  
 A. PLUG MEETS IP-67 STANDARD IN MATED CONDITION.
5. ASSEMBLY SPEC. 349-50928
6. PACKAGING:  
 A. QUANTITY: SINGLE PACK  
 B. MARKING: BAG TO BE MARKED  
 "AMPHENOL, 431-125P-52S, AND DATE CODE"

THIRD ANGLE PROJ.

REVISIONS

REV	DESCRIPTION	DATE	ECO	APPR
A	RELEASE TO MFG.	10/21/16	02202	KCE



**CUSTOMER OUTLINE DRAWING**

ALL OTHER SHEETS ARE FOR INTERNAL USE ONLY

UNLESS OTHERWISE SPECIFIED, DIMENSIONS ARE IN METRIC AND TOLERANCES ARE: <0.5mm ±0.05mm    0.5 - 6mm ±0.1mm    6 - 30mm ±0.2mm    30 - 120mm ±0.3mm    ANGLES ±1°	MATERIAL	DRAWN K. ELMES	DATE 16-Mar-16	TITLE 4.3/10SM-1/2"L		Amphenol RF www.amphenolrf.com		
	REFERENCE EAR# 6645	ENGINEER K. ELMES	DATE 16-Mar-16					DRAWING NO. 431-125P-52S
NOTICE - These drawings, specifications, or other data (1) are, and remain the property of Amphenol corp. (2) must be returned upon request; and (3) are confidential and not to be disclosed to any person other than those to whom they are given by Amphenol Corp. the furnishing of these drawings, specifications, or other data by Amphenol Corp., or to any other person to anyone for any purpose is not to be regarded by implication or otherwise in any manner licensing, granting rights to permitting such holder or any other person to manufacture, use or sell any product, process or design, patented or otherwise, that may in any way be related to or disclosed by said drawings, specifications, or other data.	FINISH	APPROVED K. CAPOZZI	DATE 10/21/16	SCALE: 1.0:1.0	SHEET 2 OF 2	ITEM NO. 431-125P-52S		
		CAD FILE			DWG SIZE B	REV A	PART NO. 431-125P-52S	

# Mouser Electronics

Authorized Distributor

Click to View Pricing, Inventory, Delivery & Lifecycle Information:

[Amphenol:](#)

[431-125P-52S](#)