

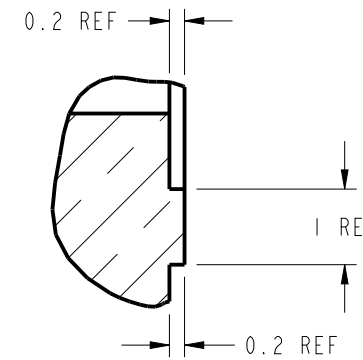
NOTES:

1. MATERIALS AND FINISHES:
 BODY - BRASS, WHITE BRONZE PLATING
 CONTACT-OUTER - PHOSPHOR BRONZE, SILVER PLATING
 CONTACT - BeCu, SILVER PLATING
 INSULATOR - PTFE, NATURAL
 O-RING - SILICONE RUBBER, RED
2. ELECTRICAL:
 A. IMPEDANCE: 50 OHM
 B. FREQUENCY RANGE: DC - 6 GHz
 C. VSWR: 1.08 MAX.@ DC -3 GHz
 D. INSERTION LOSS: 0.05XSQRT[F(GHz)] dB MAX.
 E. VOLTAGE RATING: 500 VRMS
 F. DIELECTRIC WITHSTANDING VOLTAGE: 2500 VRMS MIN.
 G. INSULATION RESISTANCE: 5000 MΩ MIN.
 H. INTERMODULATION 3RD ORDER: -166 dBc MAX. (2 X 43 dBm)
3. MECHANICAL:
 A. DURABILITY: 100 CYCLES MIN.
 B. TEMPERATURE RANGE: -65° C TO +165° C
 C. COMPATIBLE WITH ALL STANDARD 4.3/10 PLUGS
4. PACKAGING:
 A. QUANTITY: PACK 10PCS/TRAY
 B. MARKING: BAG TO BE MARKED
 "AMPHENOL RF, 431-117J-52S, AND DATE CODE"

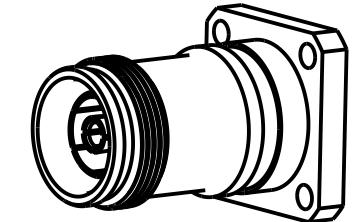
THIRD ANGLE PROJ.

REVISIONS

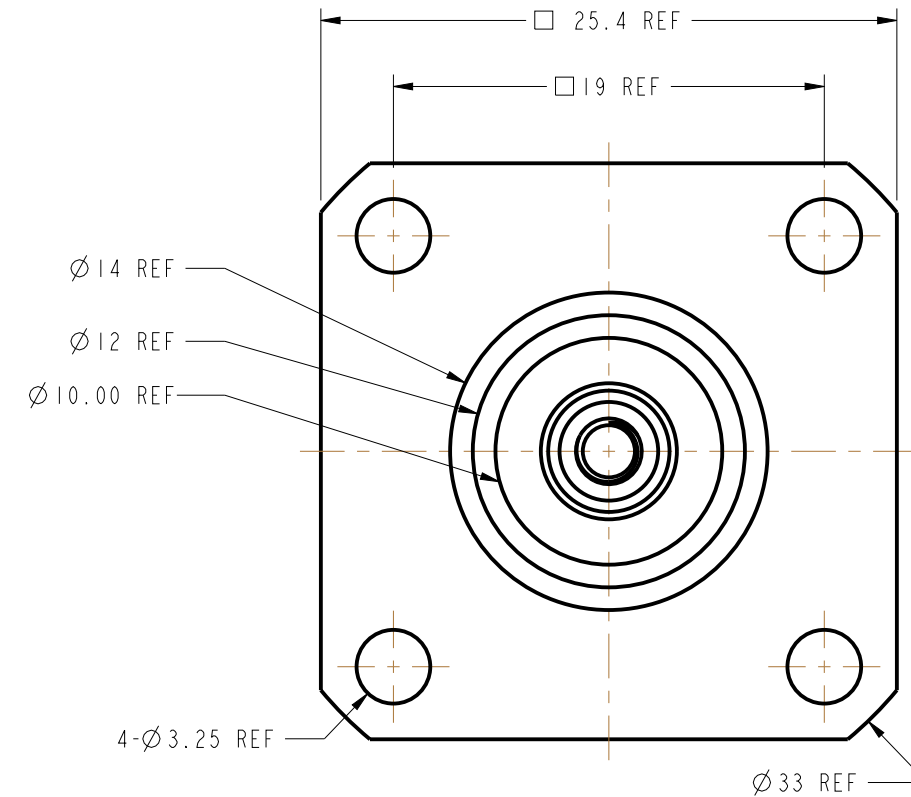
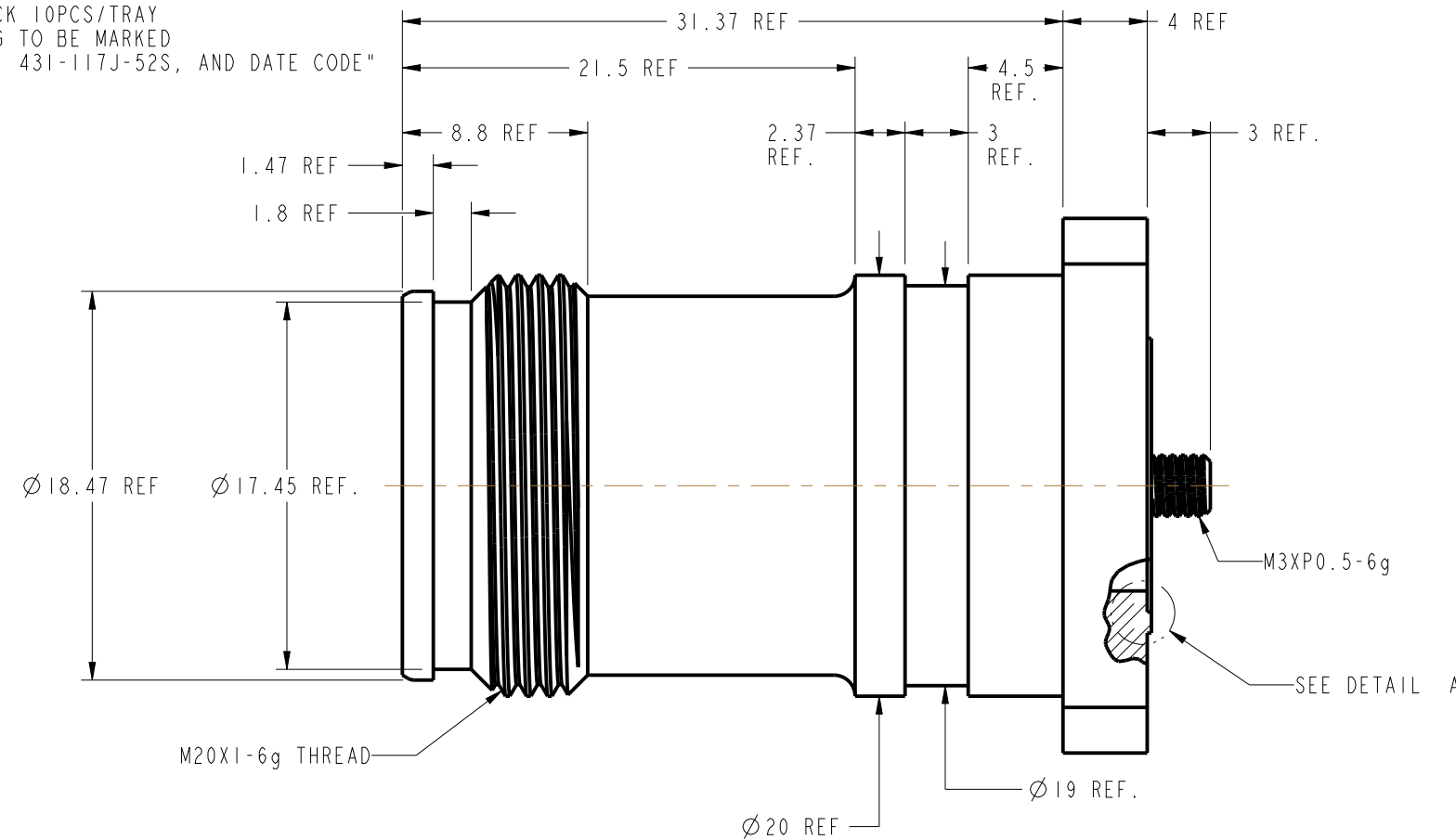
REV	DESCRIPTION	DATE	ECO	APPR
A	RELEASE TO MFG.	7/20/16	01321	KCE
B	NOTE 3A 100 WAS 500	1/9/17	02802	KS



DETAIL A
SCALE 10.000



SCALE 1.000



CUSTOMER OUTLINE DRAWING

ALL OTHER SHEETS ARE FOR INTERNAL USE ONLY

UNLESS OTHERWISE SPECIFIED, DIMENSIONS ARE IN METRIC AND TOLERANCES ARE: <0.5mm ±0.05mm 0.5 - 6mm ±0.1mm 6 - 30mm ±0.2mm 30 - 120mm ±0.3mm ANGLES ±1°	MATERIAL	DRAWN	DATE	TITLE 4.3/10 STR JACK 4 HOLE FLANGE RECEPTACLE M3 THREADED IP-67		Amphenol RF www.amphenolrf.com	
	SEE NOTES	S.DUAN	26-Jul-16				
NOTICE - These drawings, specifications, or other data (1) are, and remain the property of Amphenol corp. (2) must be returned upon request; and (3) are confidential and not to be disclosed to any person other than those to whom they are given by Amphenol Corp., the furnishing of these drawings, specifications, or other data by Amphenol Corp., or to any other person to anyone for any purpose is not to be regarded by implication or otherwise in any manner licensing, granting rights to permitting such holder or any other person to manufacture, use or sell any product, process or design, patented or otherwise, that may in any way be related to or disclosed by said drawings, specifications, or other data.	REFERENCE	ENGINEER	DATE	SCALE: 3.0:1.0 SHEET 2 OF 2		DRAWING NO. 431-117J-52S ITEM NO. 431-117J-52S	
	EAR # 6645	JEKY C.	14-Dec-15				
	CONFIGURATION LEVEL: In Work	APPROVED	DATE		DWG SIZE REV B B		PART NO. 431-117J-52S
FINISH	S.HSIEH	16-Aug-16	CAD FILE				

Mouser Electronics

Authorized Distributor

Click to View Pricing, Inventory, Delivery & Lifecycle Information:

[Amphenol:](#)

[431-117J-52S](#)