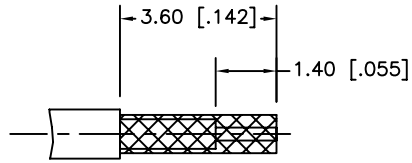
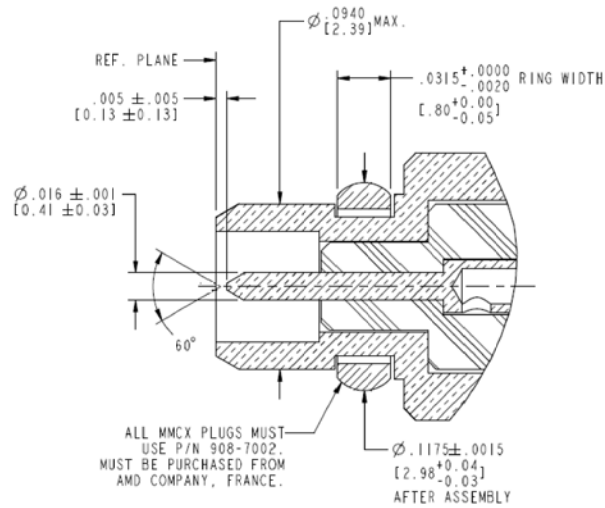
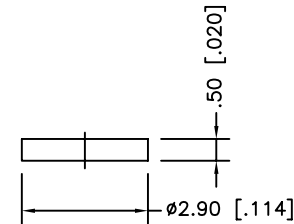
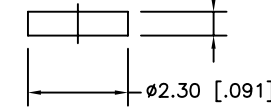
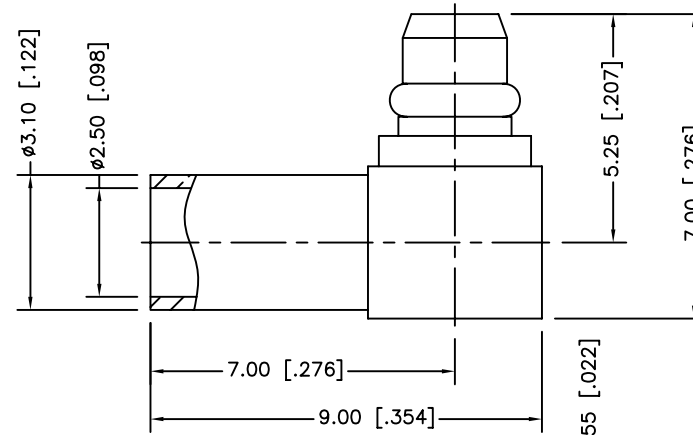
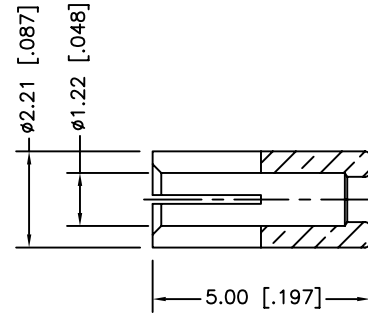


REV.	DATE	ECR NO.	DESCRIPTION
NC	01/15/10	XXXXXX	INITIAL RELEASE
A	08/27/12	2366	ADD INTERFACE DIMENSIONS, UPDATE DRAWING FORMAT



RECOMMENDED  
CABLE STRIPPING DIM'S



ALL MMCX PLUGS MUST  
USE P/N 908-7002.  
MUST BE PURCHASED FROM  
AMD COMPANY, FRANCE.

PLUG ASSEMBLY

NOTE:

1. IMPEDANCE: 50 OHM
2. FREQUENCY RANGE: 0-6 GHz
3. DIELECTRIC WITHSTANDING VOLTAGE: 250 VRMS. MIN
4. DURABILITY: 500 CYCLES MIN.
5. TEMPERATURE RANGE: -65°C TO +165°C
6. CRIMPED FERRULE  
HEX. CRIMP SIZE .105"
7. SOLDER CENTER CONTACT

UNLESS OTHERWISE SPECIFIED DIMENSIONS ARE  
IN MILLIMETERS. DIMENSIONS IN [ ] ARE IN  
INCHES AND FOR CUSTOMER REFERENCE ONLY.

UNLESS OTHERWISE SPECIFIED  
TOLERANCES FOR MILLIMETERS ARE:  
0.5 - 8mm ± 0.20mm  
8 - 30mm ± 0.40mm  
30 - 120mm ± 0.50mm

UNLESS OTHERWISE SPECIFIED  
TOLERANCES FOR INCHES ARE:  
.020 - .315 = ± 0.007"  
.315 - 1.180 = ± 0.015"  
1.180 - 4.724 = ± 0.020"

DO NOT SCALE DRAWING

APPROVALS	DATE
DRAWN M.ZHANG	01/15/10
CHECKED	
ISSUED	
SHEET 1 OF 1	
CAD FILE	C:/CONNEX/262138.DWG

# Amphenol Connex

PART DESCRIPTION			
MMCX R/A CRIMP PLUG (FOR 1.13mm CABLE)			
PART NO.			
262138			
DWG. NO.	REV.	SIZE	SCALE
262138.DWG	A	A	NA

DESCRIPTION	MATERIAL	FINISH	QTY
7 INSULATOR	PTFE	NATURAL	1
6 COVER	BRASS	GOLD	1
5 INNER FERRULE	BRASS	GOLD	1
4 RETAINER RING	BER. COPPER	GOLD	1
3 CONTACT PIN	BRASS	GOLD	1
2 INSULATOR	PTFE	NATURAL	1
1 BODY WITH HOUSING	BRASS	GOLD	1

# Mouser Electronics

Authorized Distributor

Click to View Pricing, Inventory, Delivery & Lifecycle Information:

[Amphenol:](#)

[262138](#)