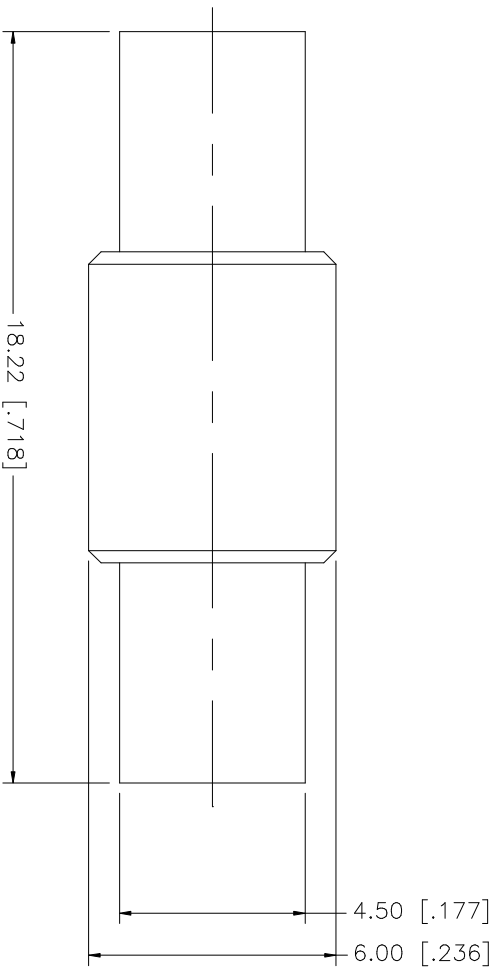


REV.	DATE	DESCRIPTION
NC	08/30/99	INITIAL RELEASE
A	07/20/05	UPDATE DRAWING FORMAT



8					UNLESS OTHERWISE SPECIFIED DIMENSIONS ARE IN INCHES AND FOR CUSTOMER REFERENCE ONLY.	APPROVALS	DATE	<p>Amphenol Connex</p> <p>PART DESCRIPTION MCX JACK TO JACK ADAPTER</p> <p>PART NO. 252169</p>
7					UNLESS OTHERWISE SPECIFIED TOLERANCES FOR MILLIMETERS ARE:	DRAWN	07/20/05	
6					0.5 - 8mm ± 0.20mm	CHECKED		
5					8 - 30mm ± 0.40mm	ISSUED		
4					30 - 120mm ± 0.50mm	SHEET	1 OF 1	
3	CONTACT PIN	BER. COPPER	GOLD	1	UNLESS OTHERWISE SPECIFIED TOLERANCES FOR INCHES ARE:	CAD FILE		DWG. NO.
2	INSULATOR	TEFLON	NATURAL	1	.020 - .315 = ± 0.007"	C:/252/1252169.DWG		252169.DWG
1	BODY	BRASS	GOLD	1	.315 - 1.180 = ± 0.015"			REV. A
	DESCRIPTION	MATERIAL	FINISH	QTY	1.180 - 4.724 = ± 0.020"			SIZE A
					DO NOT SCALE DRAWING			SCALE NA

Mouser Electronics

Authorized Distributor

Click to View Pricing, Inventory, Delivery & Lifecycle Information:

[Amphenol:](#)

[252169-75](#)