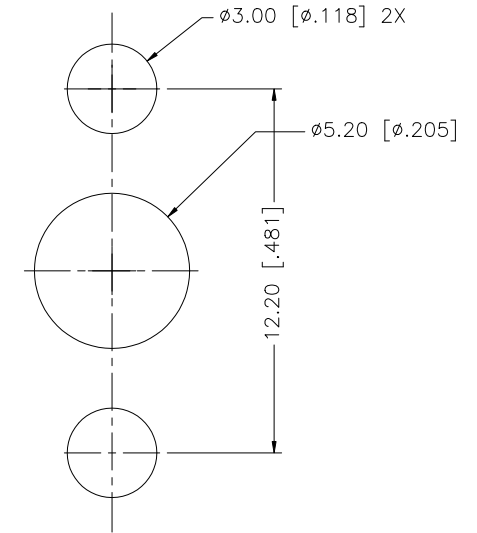
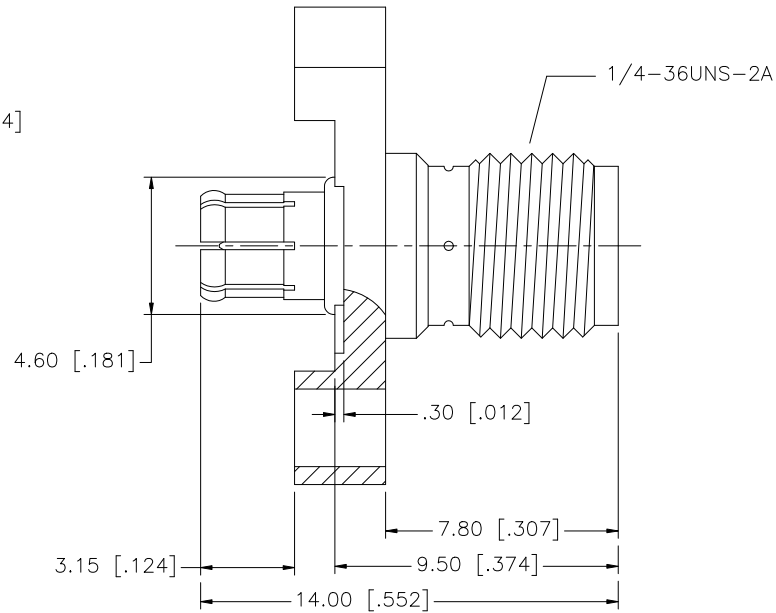
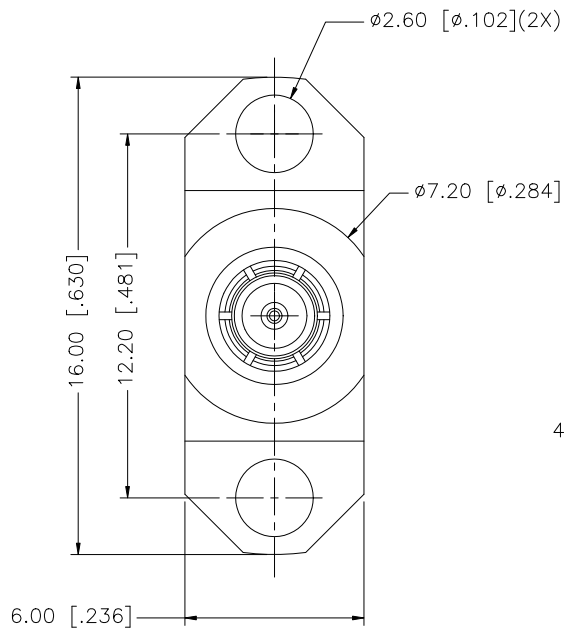


REV.	DATE	ECR NO.	DESCRIPTION
NC	05/24/08	-	INITIAL RELEASE
A	06/12/08	100031	REVISE FLANGE CONFIGURATION



RECOMENDED MOUNTING HOLE DIMENSIONS

DESCRIPTION	MATERIAL	FINISH	QTY
4 OUTER CONTACT	BER. COPPER	GOLD	1
3 CENTER CONTACT	BER. COPPER	GOLD	1
2 INSULATOR	PTFE	NATURAL	1
1 BODY	BRASS	GOLD	1

UNLESS OTHERWISE SPECIFIED DIMENSIONS ARE IN MILLIMETERS. DIMENSIONS IN [ ] ARE IN INCHES AND FOR CUSTOMER REFERENCE ONLY.

UNLESS OTHERWISE SPECIFIED TOLERANCES FOR MILLIMETERS ARE:  
0.5 - 8mm ± 0.20mm  
8 - 30mm ± 0.40mm  
30 - 120mm ± 0.50mm

UNLESS OTHERWISE SPECIFIED TOLERANCES FOR INCHES ARE:  
.020 - .315 = ± 0.007"  
.315 - 1.180 = ± 0.015"  
1.180 - 4.724 = ± 0.020"

DO NOT SCALE DRAWING

APPROVALS	DATE
DRAWN GRS	06/12/08
CHECKED	
ISSUED	
SHEET 1 OF 1	
CAD FILE	C:/242/242234.DWG

<h1>Amphenol Connex</h1>				
PART DESCRIPTION SMA JACK TO MCX PLUG, 2-HOLE FLANGE W/ STANDOFFS ADAPTER				
PART NO. 242234				
DWG. NO.	242234.DWG	REV.	A	SCALE NA

# Mouser Electronics

Authorized Distributor

Click to View Pricing, Inventory, Delivery & Lifecycle Information:

[Amphenol:](#)

[242234](#)