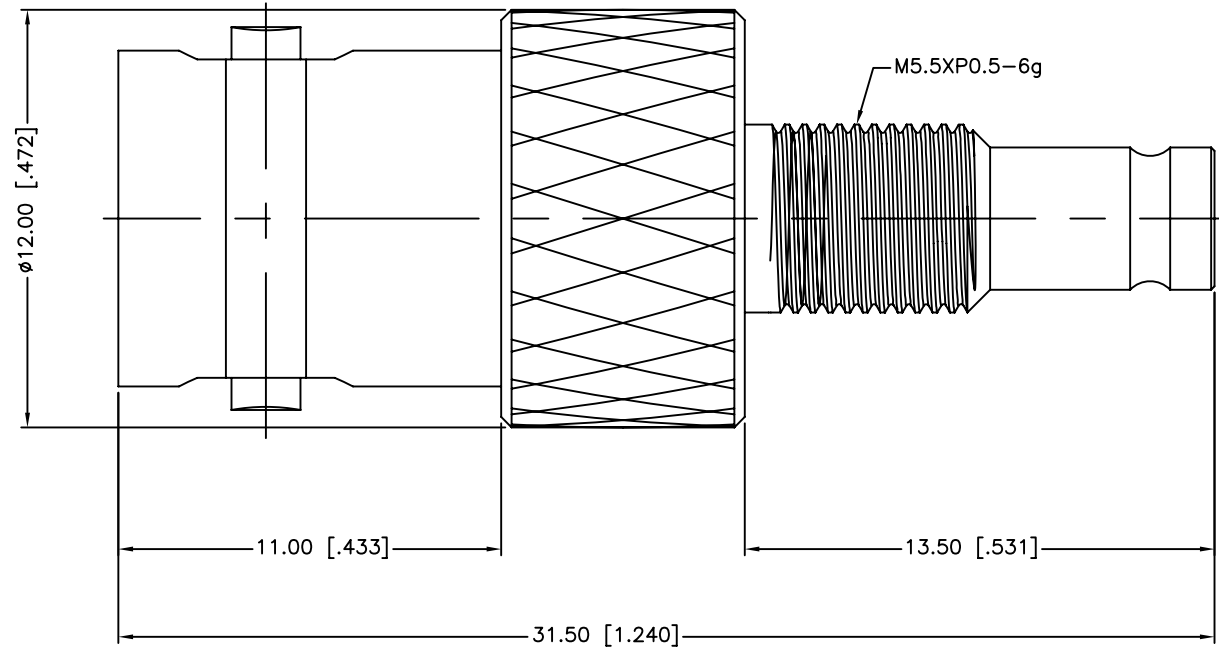


REV.	DATE	ECR NO.	DESCRIPTION
NC	11/03/10	XXXXXX	INITIAL RELEASE



1. FREQUENCY RANGE: DC 0-3 GHz
2. VSWR(RETURN LOSS): 1.15 MAX.

UNLESS OTHERWISE SPECIFIED DIMENSIONS ARE IN MILLIMETERS. DIMENSIONS IN [ ] ARE IN INCHES AND FOR CUSTOMER REFERENCE ONLY.				APPROVALS	DATE	<h1 style="color: blue; text-align: center;">Amphenol Connex</h1>		
4	CONTACT PIN	BER. COPPER	GOLD	1	DRAWN		M.ZHANG	11/03/10
3	BODY	BRASS	GOLD	1	CHECKED			
2	INSULATOR	PTFE	NATURAL	1	ISSUED			
1	BODY	BRASS	NICKEL	1	SHEET	1 OF 1		
<small>UNLESS OTHERWISE SPECIFIED TOLERANCES FOR MILLIMETERS ARE:  0.5 - 8mm ± 0.20mm  8 - 30mm ± 0.40mm  30 - 120mm ± 0.50mm</small>				<small>UNLESS OTHERWISE SPECIFIED TOLERANCES FOR INCHES ARE:  .020 - .315 = ± 0.007"  .315 - 1.180 = ± 0.015"  1.180 - 4.724 = ± 0.020"</small>			<b>PART DESCRIPTION</b> BNC JACK TO 1.0/2.3 JACK ADAPTOR (FOR 75 OHM)	
DO NOT SCALE DRAWING				CAD FILE C:/CONNEX/242229-75.DWG			<b>PART NO.</b> 242229-75	
DESCRIPTION				MATERIAL			<b>DWG. NO.</b> 242229-75.DWG	
FINISH				QTY			<b>REV.</b> NC	
							<b>SIZE</b> A	
							<b>SCALE</b> NA	

# Mouser Electronics

Authorized Distributor

Click to View Pricing, Inventory, Delivery & Lifecycle Information:

[Amphenol:](#)

[242229-75](#)