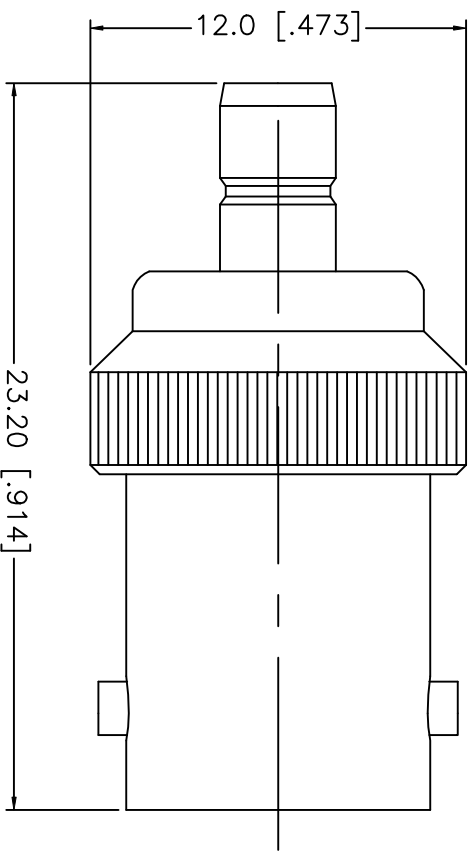


REV.	DATE	DESCRIPTION
NC	04/09/02	INITIAL RELEASE



8																								
7																								
6																								
5																								
4	CONTACT PIN	PHOS. BRONZE		GOLD																				
3	INSULATOR	TEFLON		NATURAL																				
2	SMB BODY	BRASS		GOLD																				
1	BNC BODY	BRASS		NICKEL																				
	DESCRIPTION	MATERIAL		FINISH																				
UNLESS OTHERWISE SPECIFIED DIMENSIONS ARE IN MILLIMETERS										UNLESS OTHERWISE SPECIFIED DIMENSIONS ARE IN INCHES FOR CUSTOMER REFERENCE ONLY														
DIMENSIONS IN [ ] ARE IN INCHES FOR CUSTOMER REFERENCE ONLY										UNLESS OTHERWISE SPECIFIED TOLERANCES FOR INCHES ARE: .XXX = ± 0.005" .XX = ± 0.010" .X = ± 0.020"														
DO NOT SCALE DRAWING																								
APPROVALS					DATE					<b>Amphenol - Connex</b> CONNECTOR CORPORATION TITLE BNC JACK TO SMB JACK ADAPTOR														
DRAWN					G.R.S.															04/09/02				
CHECKED																								
ISSUED																								
SIZE			FSOM NO.			DWC. NO.			REV.															
A			99001			242186.DWG			NC															
SCALE			PART NO.			SHEET																		
NA			242186			1 OF 1																		

# Mouser Electronics

Authorized Distributor

Click to View Pricing, Inventory, Delivery & Lifecycle Information:

[Amphenol:](#)

[242186](#)