

PRODUCT NUMBER
20020203-XXXXXXLF

20020203- □ □ □ □ A 0 □ L F

PITCH
C: 3.50 mm
D: 3.81 mm
G: 5.00 mm
H: 5.08 mm

POLES
02: 2 POLES
03: 3 POLES
04: 4 POLES
:
:
16: 16 POLES

LF : DENOTED RoHS COMPATIBLE

2 : TAPE & REEL PACKAGING

PROPERTY TABLE				
FCI SERIES NAME	06-350	06-381	06-500	06-508
PITCH (mm)	3.50	3.81	5.00	5.08
VOLTAGE RATING (VAC)	300	300	300	300
CURRENT RATING (A)	10	10	12	12
WITHSTANDING VOLTAGE (kV)	1.6	1.6	1.6	1.6
OPERATING TEMP. (°C)	-40~+65	-40~+65	-40~+65	-40~+65
SOLDERING TEMP. (°C)	250±10 (5 sec.)	250±10 (5 sec.)	250±10 (5 sec.)	250±10 (5 sec.)
POLES AVAILABLE	02~16	02~16	02~12	02~12
SAFETY CERTIFICATE	PENDING			

HOUSING CODE

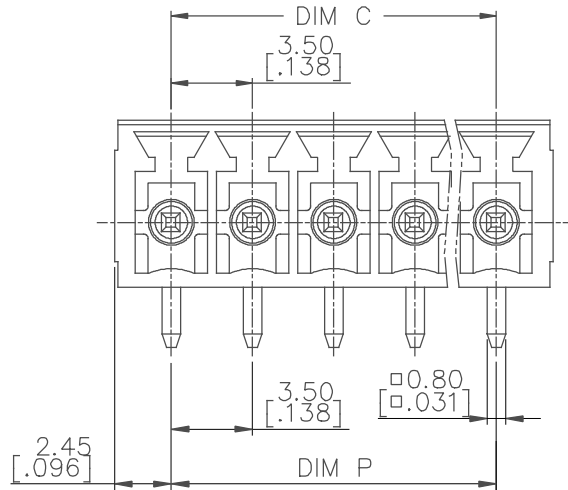
CODE	COLOR	PROCESS
6	BLACK(RAL 9005)	PIP(NOTE 6)

NOTES:

- MATERIAL:
 - 1-1. TERMINAL: COPPER ALLOY, TIN PLATED.
 - 1-2. HOUSING: THERMOPLASTIC RESIN, UL94V-0 RATED.
- PRODUCTION SPECIFICATION REFER TO FCI GS-12-625.
- PRODUCT PACKING SPECIFICATION REFER TO FCI GS-14-1394.
- FCI, SAFETY CERTIFICATE LOGO AND SERIES NAME TO BE SHOWN ON PRODUCT SURFACE.
- THE PRODUCTS WHERE THE PART NUMBER END IN "LF" MEET THE EUROPEAN UNION DIRECTIVE AND OTHER COUNTRY REGULATIONS AS DESCRIBED IN GS-22-008.
- THE HOUSING WILL WITHSTAND EXPOSURE TO 260°C PEAK TEMPERATURE FOR 5 SECONDS IN A CONVECTION, INFRA-RED OR VAPOR PHASE REFLOW OVEN.

mat'l. code		surface ASME Y14.5	tolerance ASME Y14.5	projection	product family
litr		tolerances unless otherwise specified			TERMINAL BLOCK
ecn no	dr	date	angles	MM [INCH]	title
A	LS	071912	X.±0.5		TERMINAL BLOCK
			X.X±0.3		PLUGGABLE SOCKET/RIGHT ANGLE(PIP)
			X'±1'	scale	dwg no
			dr LEIF SHEN 041911		sheet 1 of 5 size
			enr LEIF SHEN 041911		20020203
			chr LEIF SHEN 041911		A4
			appd JOSEPH HSIA 041911		type
					CUSTOMER Drawing
sheet index	revision sheet	A 1	A 2	A 3	A 4

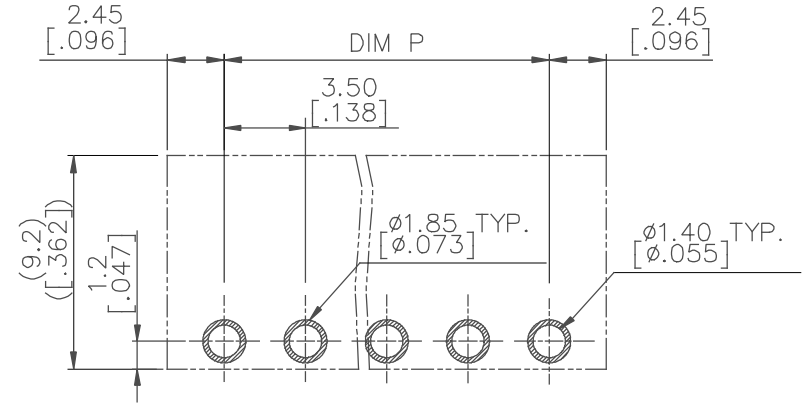
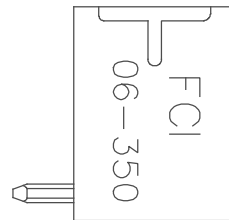
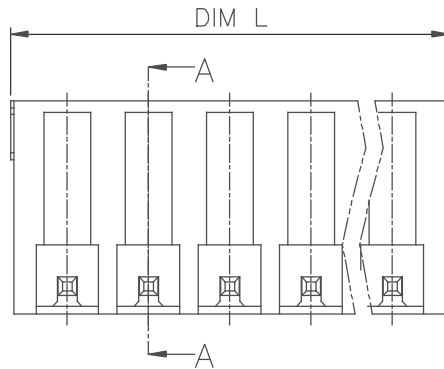
PRODUCT NUMBER	SERIES NAME	PITCH
20020203-CXXXXXXLF	06-350	3.50 mm



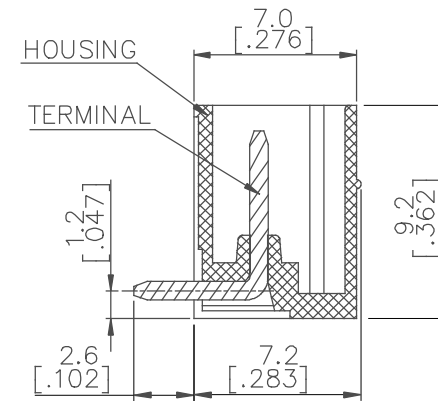
N= Number of poles

DIM L	$(N-1)*3.5[.138]+4.9[.193]$
DIM P	$(N-1)*3.5[.138]$
DIM C	$(N-1)*3.5[.138]$

POLES	TOLERANCE
2-6p	$\pm 0.15[.006]$
7-12p	$\pm 0.20[.008]$
13-16p	$\pm 0.30[.012]$



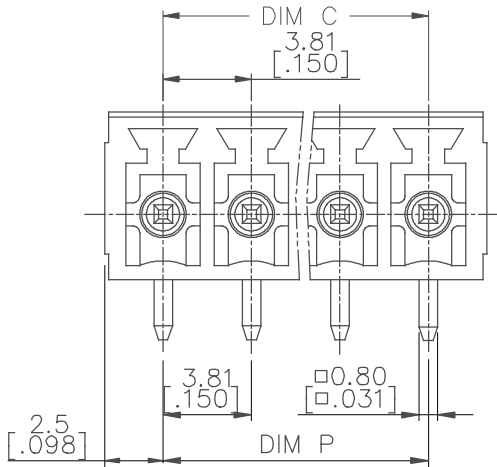
RECOMMENDED PCB LAYOUT



SECTION A-A

mat'l. code	surface ASME Y14.5	tolerance ASME Y14.5	projection 	product family TERMINAL BLOCK		
ltr	ecn	no	dr	date	tolerances unless otherwise specified	title
A					angles X. \pm 0.5 lineout X'.XX \pm 0.1	TERMINAL BLOCK PLUGGABLE SOCKET/RIGHT ANGLE(PIP)
			dr	LEIF SHEN	041911	MM [INCH]
			enr	LEIF SHEN	041911	scale
			chr	LEIF SHEN	041911	
			appd	JOSEPH HSIA	041911	dwg no
sheet	revision					sheet 2 of 5 size
index	sheet					20020203
						A4
						type
						CUSTOMER Drawing

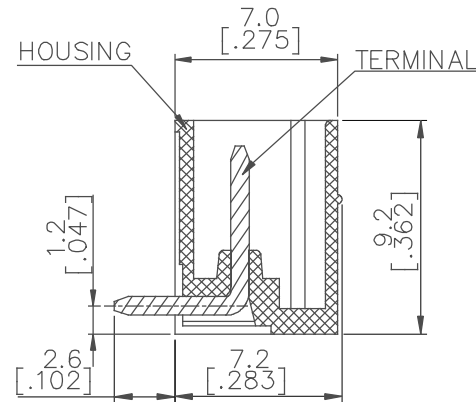
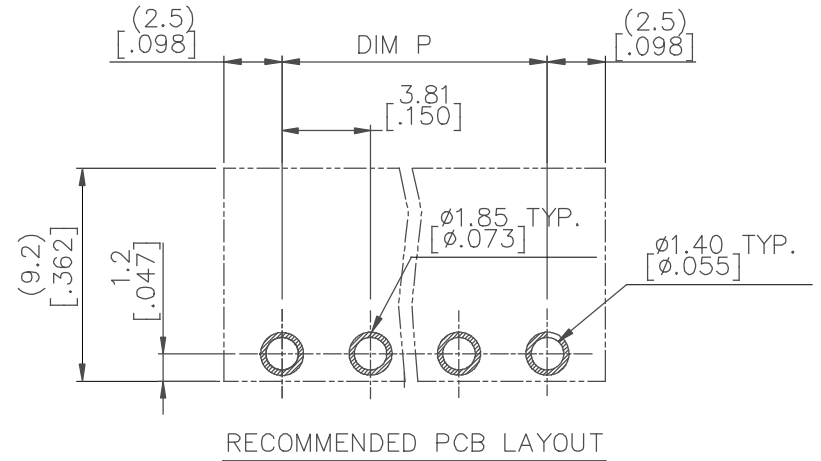
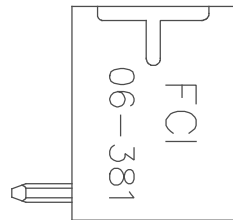
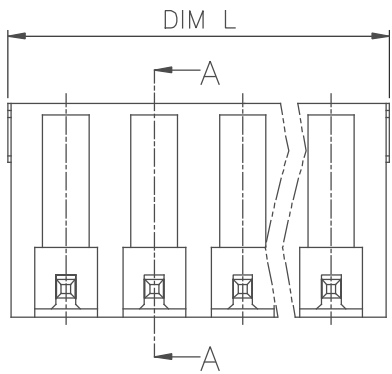
PRODUCT NUMBER	SERIES NAME	PITCH
20020203-DXXXXXXLF	06-381	3.81 mm



N = NUMBER OF POLES

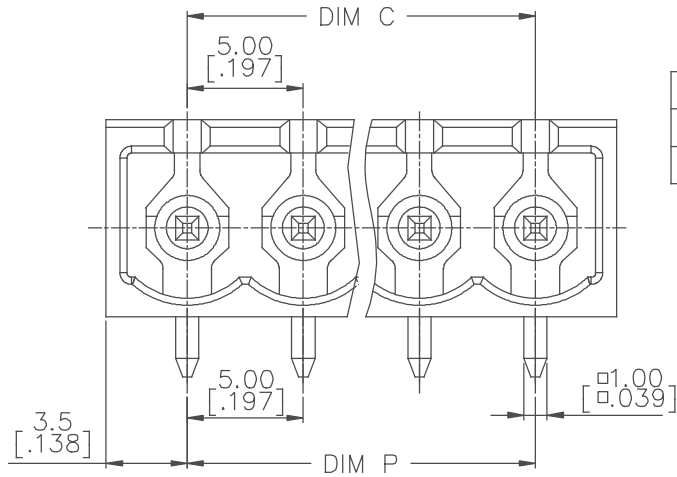
DIM L	$(N-1)*3.81[.150]+5.0[.197]$
DIM P	$(N-1)*3.81[.150]$
DIM C	$(N-1)*3.81[.150]$

POLES	TOLERANCE
2p-6p	$\pm 0.15[.006]$
7p-12p	$\pm 0.20[.008]$
13p-16p	$\pm 0.30[.012]$



mat'l. code		surface ASME Y14.5	tolerance ASME Y14.5	projection	product family
ltr		tolerances unless otherwise specified		 MM [INCH]	TERMINAL BLOCK
ecn	no	dr	date		title
A				 scale	TERMINAL BLOCK PLUGGABLE SOCKET/RIGHT ANGLE(PIP)
dr		LEIF SHEN	041911		dwg no
enr		LEIF SHEN	041911		sheet 3 of 5
chr		LEIF SHEN	041911		20020203
appd		JOSEPH HSIA	041911		A4
sheet index	revision sheet				type
					CUSTOMER Drawing

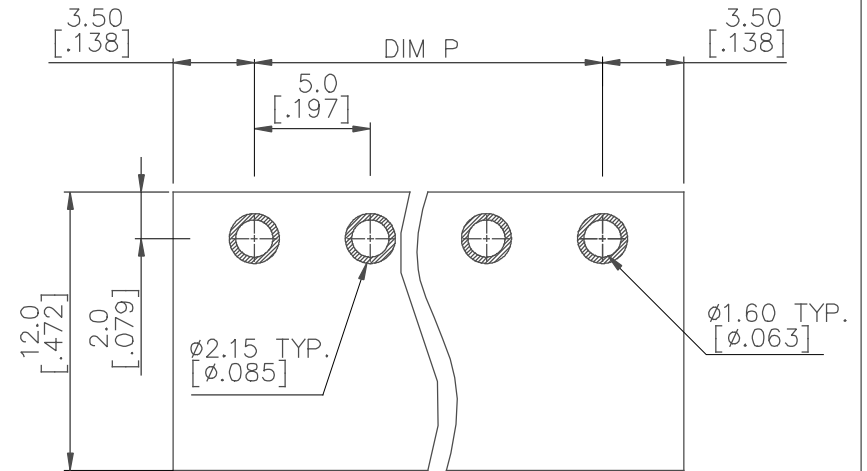
PRODUCT NUMBER	SERIES NAME	PITCH
20020203-GXXXXXXLF	06-500	5.00 mm



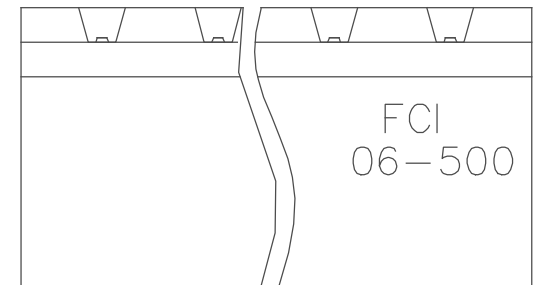
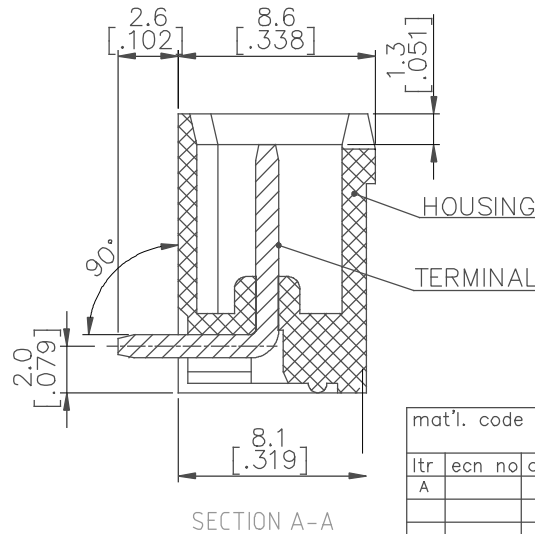
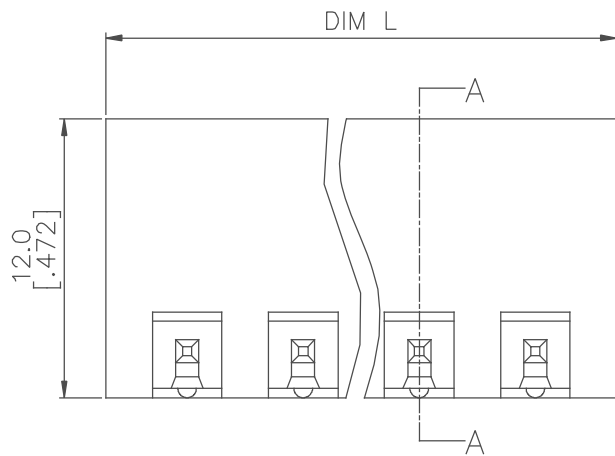
N = NUMBER OF POLES

DIM L	$N * 5.0 [.197] + 2.0 [.079]$
DIM P	$(N - 1) * 5.0 [.197]$
DIM C	$(N - 1) * 5.0 [.197]$

POLES	TOLERANCE
2-3p	$\pm 0.15 [.006]$
4-8p	$\pm 0.20 [.008]$
9-12p	$\pm 0.25 [.010]$

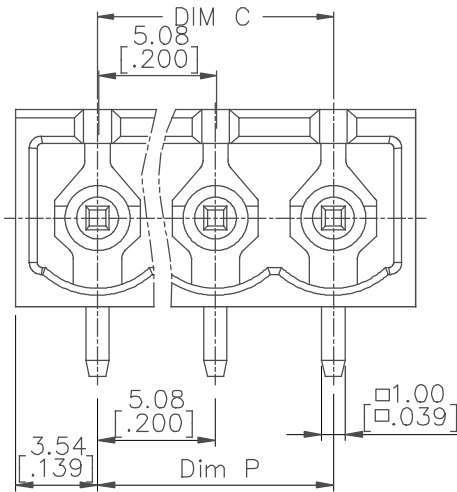


RECOMMENDED PCB LAYOUT



mat'l. code	surface ASME Y14.5 ✓	tolerance ASME Y14.5	projection MM INCH	product family TERMINAL BLOCK			
ltr	ecn	no	dr	date	tolerances unless otherwise specified	title	
A					angles X.±0.5 X.X±0.3 X'±1'	TERMINAL BLOCK PLUGGABLE SOCKET/RIGHT ANGLE(PIP)	
					linear X.XX±0.1	scale	
			dr	LEIF SHEN	041911		
			enr	LEIF SHEN	041911		
			chr	LEIF SHEN	041911		
			appd	JOSEPH HSIA	041911		
sheet index	revision sheet					dwg no	sheet 4 of 5 size
						20020203	A4
						type	CUSTOMER Drawing

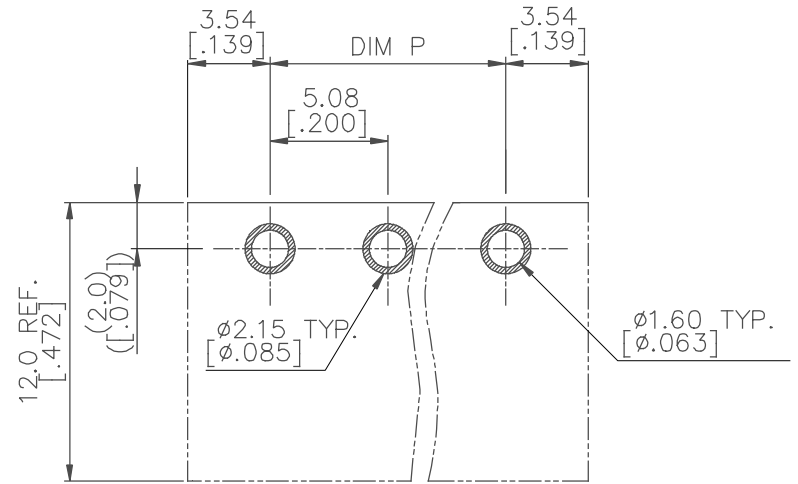
PRODUCT NUMBER	SERIES NAME	PITCH
20020203-HXXXXXXLF	06-508	5.08 mm



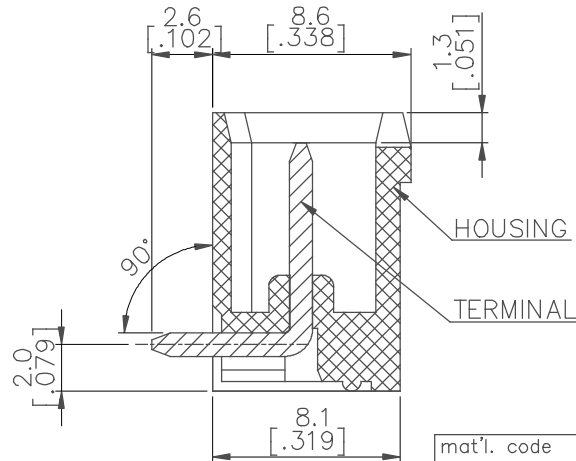
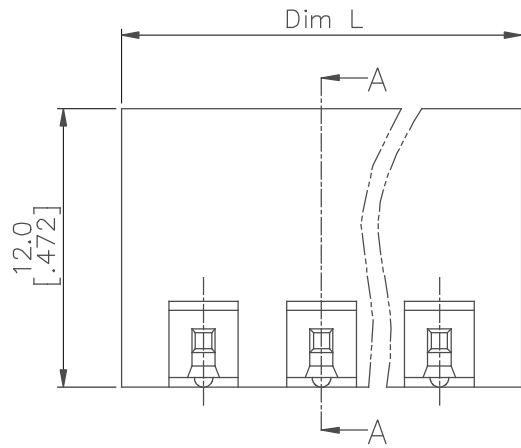
N = NUMBER OF POLES

DIM L	$N * 5.08 [.200] + 2.0 [.193]$
DIM P	$(N - 1) * 5.08 [.200]$
DIM C	$(N - 1) * 5.08 [.200]$

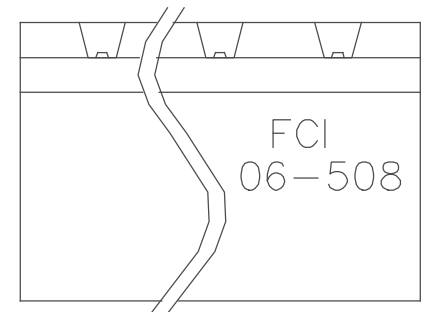
POLES	TOLERANCE
2-3p	$\pm 0.15 [.006]$
4-8p	$\pm 0.20 [.008]$
9-12p	$\pm 0.25 [.010]$



RECOMMENDED PCB LAYOUT



SECTION A-A



mat'l. code	surface ASME Y14.5 ✓	tolerance ASME Y14.5	projection	product family
ltr	ecn no	dr	date	TERMINAL BLOCK
A				title
				TERMINAL BLOCK
				PLUGGABLE SOCKET/RIGHT ANGLE(PIP)
				scale
				MM
				[INCH]
				FCI
				sheet 5 of 5 size
				20020203 A4
				type CUSTOMER Drawing
sheet index	revision sheet			

Mouser Electronics

Authorized Distributor

Click to View Pricing, Inventory, Delivery & Lifecycle Information:

Amphenol:

[20020203-C086A02LF](#) [20020203-H036A02LF](#) [20020203-C036A02LF](#) [20020203-D046A02LF](#) [20020203-H066A02LF](#)
[20020203-H026A02LF](#) [20020203-C126A02LF](#) [20020203-H046A02LF](#)