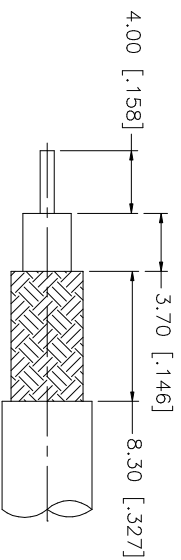
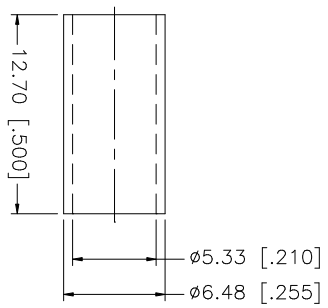
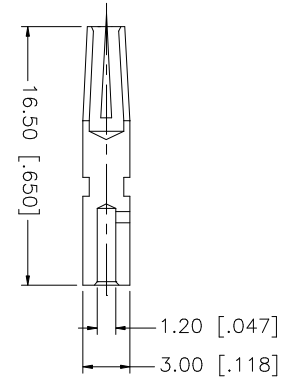
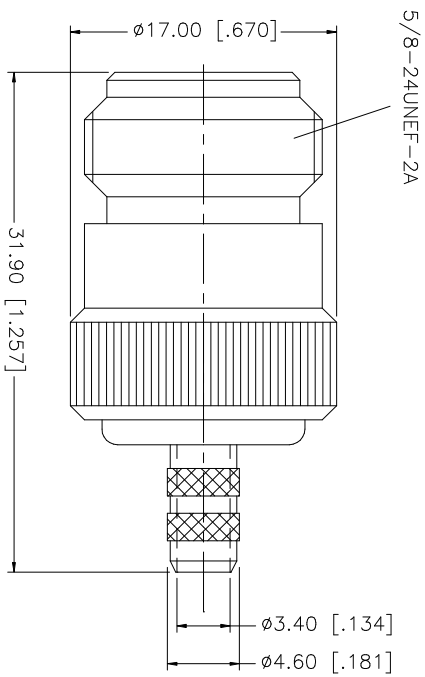


REV.	DATE	DESCRIPTION
A	12/09/03	UPDATE DRAWING FORMAT



RECOMMENDED  
CABLE STRIPPING DIM'S



- NOTES:
1. CRIMPED FERRULE  
HEX. CRIMP SIZE .213"
  2. CRIMPED CONTACT PIN  
HEX. CRIMP SIZE .100"

QTY	FINISH	MATERIAL	DESCRIPTION
1	NEXCOTE	COPPER	FERRULE
1	GOLD	PHOS. BRONZE	CONTACT PIN
1	NATURAL	TEFLON	INSULATOR
1	NEXCOTE	BRASS	BODY
			DESCRIPTION

APPROVALS	DATE	PART DESCRIPTION
DRAWN G.R.S.	12/09/03	<b>Amphenol Connex</b> N CRIMP JACK (FOR LMR200 CABLE - 50ohms)
CHECKED		
ISSUED		
SHEET 1 OF 1		PART NO. 172216

UNLESS OTHERWISE SPECIFIED DIMENSIONS ARE INCHES AND FOR CUSTOMER REFERENCE ONLY.	UNLESS OTHERWISE SPECIFIED TOLERANCES FOR MILLIMETERS ARE:	UNLESS OTHERWISE SPECIFIED TOLERANCES FOR INCHES ARE:
0.5 - 8mm ± 0.20mm	30 - 120mm ± 0.50mm	.020 - .315 = ± 0.007"
8 - 30mm ± 0.40mm		.315 - 1.180 = ± 0.015"
		1.180 - 4.724 = ± 0.020"

DO NOT SCALE DRAWING	CAD FILE	DWG. NO.	REV.	SIZE	SCALE
	C:/1722/172216.DWG	172216.DWG	A	A	NA

# Mouser Electronics

Authorized Distributor

Click to View Pricing, Inventory, Delivery & Lifecycle Information:

[Amphenol:](#)

[172216](#) [172158](#) [172214-11](#) [172327](#) [172318](#) [172306-11](#)