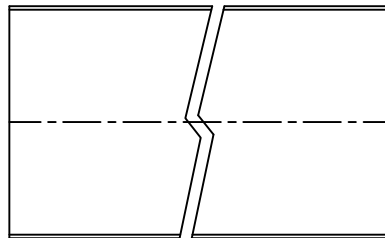
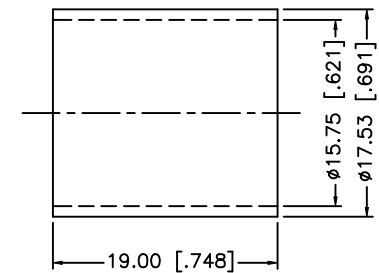
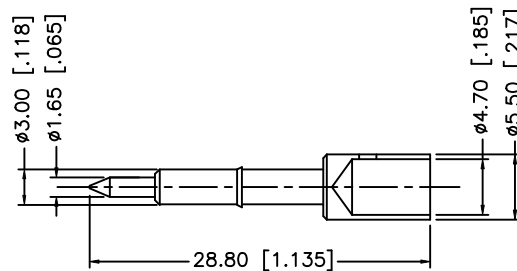
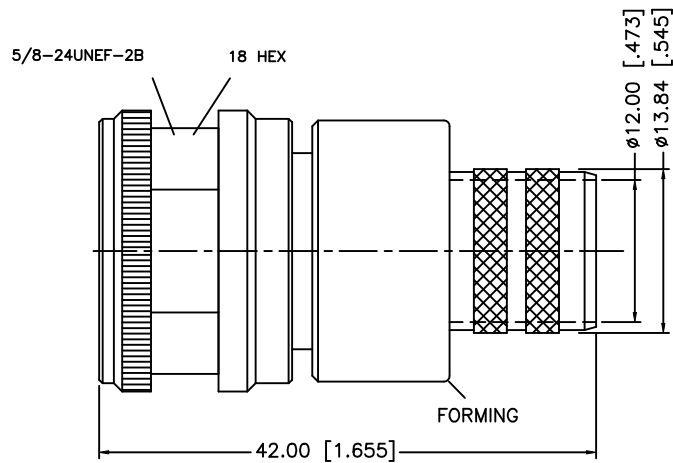
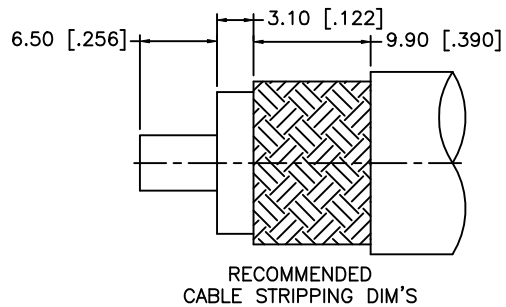


REV.	DATE	DESCRIPTION
NC	02/20/07	INITIAL RELEASE



NOTE:

1. CRIMPED FERRULE HEX CRMP SIZE .600"
2. CONTACT PIN TO SOLDER.

8					<small>UNLESS OTHERWISE SPECIFIED DIMENSIONS ARE IN MILLIMETERS. DIMENSIONS IN [] ARE IN INCHES AND FOR CUSTOMER REFERENCE ONLY.</small> <small>UNLESS OTHERWISE SPECIFIED TOLERANCES FOR MILLIMETERS ARE:</small> 0.5 - 8mm ± 0.20mm 8 - 30mm ± 0.40mm 30 - 120mm ± 0.50mm <small>UNLESS OTHERWISE SPECIFIED TOLERANCES FOR INCHES ARE:</small> .020 - .315 = ± 0.007" .315 - 1.180 = ± 0.015" 1.180 - 4.724 = ± 0.020" DO NOT SCALE DRAWING	APPROVALS	DATE	<h1 style="color: blue;">Amphenol Connex</h1>								
7						DRAWN	G.R.S.					02/20/07	PART DESCRIPTION <h2 style="text-align: center;">N CRIMP PLUG - SP. HEX NUT (LMR 600 CABLE)</h2>			
6						CHECKED										
5	HEAT SHRINK TUBE					ISSUED			DWG. NO. 172206-10.DWG							
4	FERRULE	COPPER	NEXCOTE	1		SHEET	1 OF 1						REV.	NC	SIZE	A
3	CONTACT PIN	BRASS	GOLD	1		CAD FILE		C:/172/172206-10.DWG								
2	INSULATOR	TEFLON	NATURAL	1												
1	BODY	BRASS	NEXCOTE	1												
	DESCRIPTION	MATERIAL	FINISH	QTY												

Mouser Electronics

Authorized Distributor

Click to View Pricing, Inventory, Delivery & Lifecycle Information:

[Amphenol:](#)

[172206-10](#)