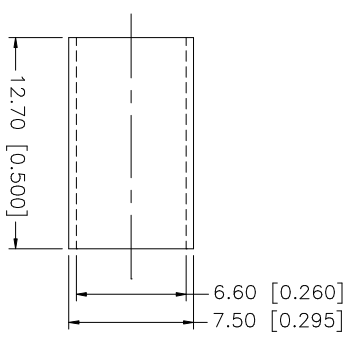
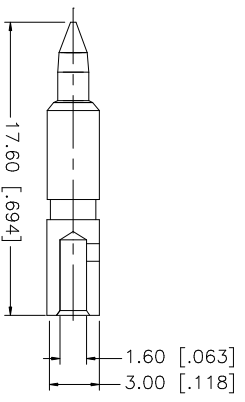
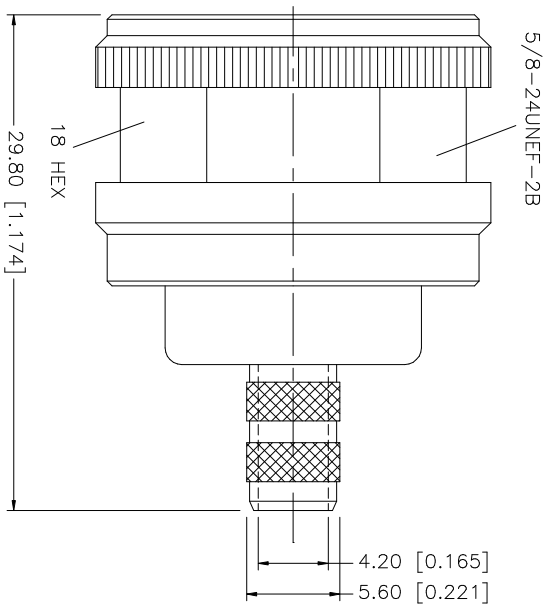
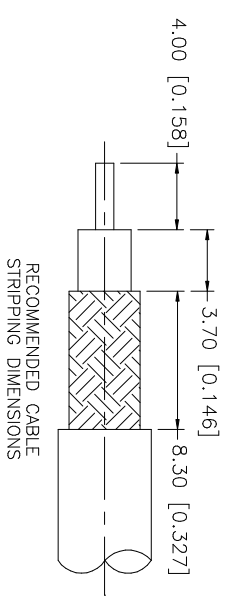


REV.	DATE	DESCRIPTION
NC	05/24/04	INITIAL RELEASE



CRIMP NOTES:

1. CRIMPED FERRULE
HEX CRIMP SIZE .255"
2. CRIMPED CONTACT PIN
HEX CRIMP SIZE .100"

QTY	FINISH	MATERIAL	DESCRIPTION
1	NEKOCOTE	BRASS	FERRULE
1	GOLD	BRASS	CONTACT PIN
1	RED	SILICON	GASKET
1	NATURAL	TEFLON	INSULATOR
1	NEKOCOTE	BRASS	BARREL
1	NEKOCOTE	BRASS	BODY

UNLESS OTHERWISE SPECIFIED DIMENSIONS ARE IN INCHES AND FOR CUSTOMER REFERENCE ONLY.	UNLESS OTHERWISE SPECIFIED DIMENSIONS FOR MILLIMETERS ARE:
0.5 - 8mm ± 0.20mm	30 - 120mm ± 0.50mm
8 - 30mm ± 0.40mm	
UNLESS OTHERWISE SPECIFIED DIMENSIONS FOR INCHES ARE:	
.020 - .315 = ± 0.007"	
.315 - 1.180 = ± 0.015"	
1.180 - 4.724 = ± 0.020"	

APPROVALS	DATE
DRAWN G.R.S.	05/24/04
CHECKED	
ISSUED	
SHEET 1 OF 1	

PART DESCRIPTION	PART NO.
N CRIMP PLUG (FOR LMR-240, RG-8/X CABLE)	172135-10

CAD FILE	DWG. NO.	REV.	SIZE	SCALE
C:/172/172135-10.DWG	172135-10.DWG	NC	A	NA

Amphenol Connex

Mouser Electronics

Authorized Distributor

Click to View Pricing, Inventory, Delivery & Lifecycle Information:

[Amphenol:](#)

[172135-10](#)