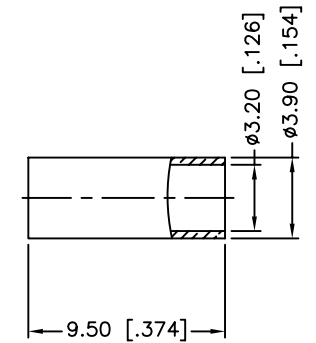
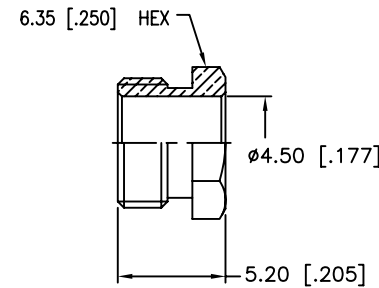
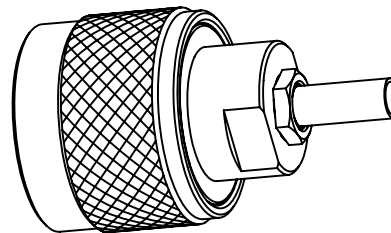
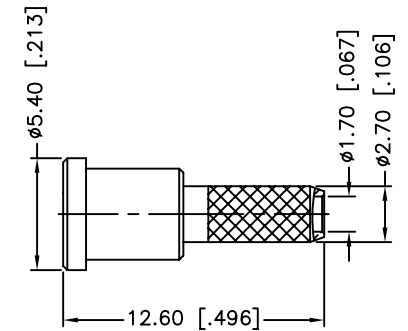
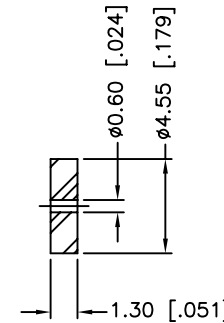
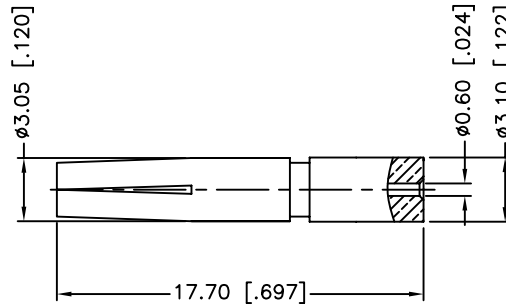
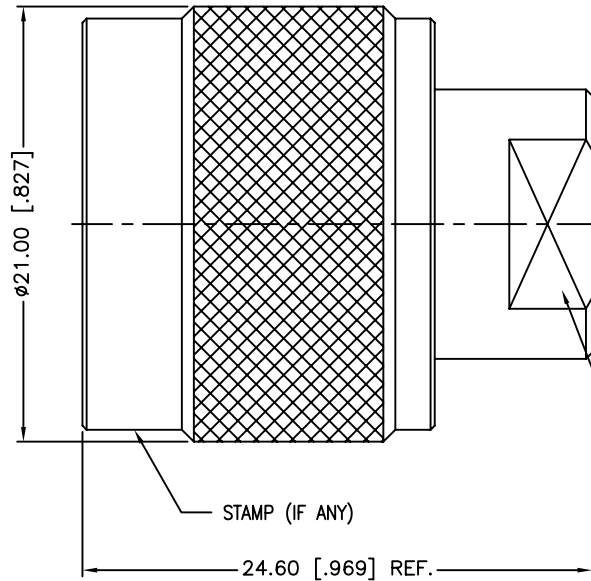


RECOMMENDED
CABLE STRIPPING DIM'S

REV.	DATE	ECR NO.	DESCRIPTION
NC	09/28/98	XXXXXX	INITIAL RELEASE
A	02/19/07	XXXXXX	UPDATE DRAWING FORMAT
B	11/16/10	XXXXXX	CHANGE CABLE STRIPPING DIM'S



1. CRIMPED FERRULE
HEX. CRIMP SIZE .128"
2. CRIMPED CONTACT PIN
HEX. CRIMP SIZE .100"

10	FERRULE	BRASS	NEXCOTE	1
9	HEX NUT	BRASS	NEXCOTE	1
8	BARREL	BRASS	NEXCOTE	1
7	INSULATOR	PTFE	NATURAL	1
6	CONTACT PIN	PHOSPHOR BRONZE	GOLD	1
5	RETAINING RING	SUS 304	NATURAL	1
4	GASKET	SILICONE	RED	1
3	INSULATOR	PTFE	NATURAL	1
2	BODY	BRASS	NEXCOTE	1
1	SHELL	BRASS	NEXCOTE	1
	DESCRIPTION	MATERIAL	FINISH	QTY

UNLESS OTHERWISE SPECIFIED DIMENSIONS ARE IN MILLIMETERS. DIMENSIONS IN [] ARE IN INCHES AND FOR CUSTOMER REFERENCE ONLY.

UNLESS OTHERWISE SPECIFIED TOLERANCES FOR MILLIMETERS ARE:
0.5 - 8mm ± 0.20mm
8 - 30mm ± 0.40mm
30 - 120mm ± 0.50mm

UNLESS OTHERWISE SPECIFIED TOLERANCES FOR INCHES ARE:
.020 - .315 ± 0.007"
.315 - 1.180 ± 0.015"
1.180 - 4.724 ± 0.020"

DO NOT SCALE DRAWING

APPROVALS	DATE
DRAWN M.ZHANG	04/19/12
CHECKED	
ISSUED	
SHEET 1 OF 1	
CAD FILE C:/CONNEX/172128RP.DWG	

Amphenol Connex

PART DESCRIPTION			
N REVERSE POLARITY CRIMP PLUG (FOR RG-174/U,188A/U,316/U CABLE)			
PART NO.		172128RP	
DWG. NO.	172128RP.DWG	REV.	B
SIZE	A	SCALE	NA

Mouser Electronics

Authorized Distributor

Click to View Pricing, Inventory, Delivery & Lifecycle Information:

[Amphenol:](#)

[172128RP](#)