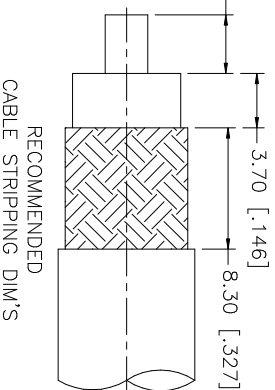
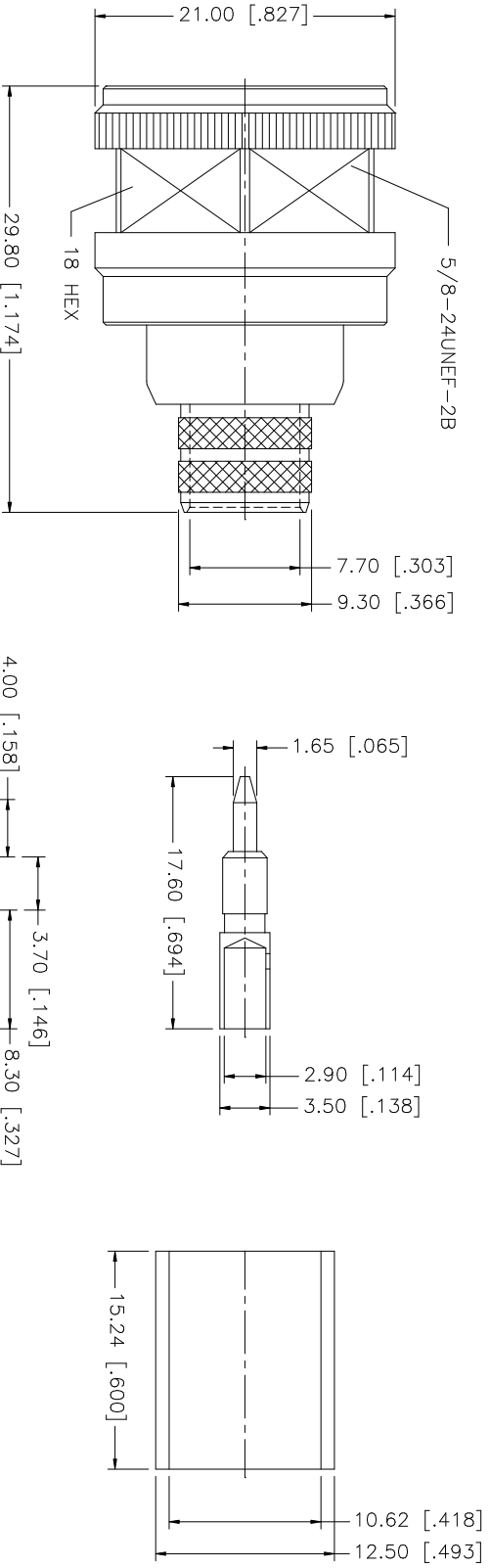


REV.	DATE	DESCRIPTION
NC	03/31/05	INITIAL RELEASE
A	02/23/06	MODIFY FERRULE DIAMETERS



- NOTE:
1. CRIMPED FERRULE
HEX CRIMP SIZE .429"
 2. CRIMPED CONTACT PI
HEX CRIMP SIZE .118"

QTY	FINISH	MATERIAL	DESCRIPTION
1	NEXCOTE	COPPER	FERRULE
1	15U" GOLD	BRASS	CONTACT PIN
1	NATURAL	SUS 304	RETAINER RING
1	RED	SILICONE	GASKET
1	NATURAL	TEFLON	INSULATOR
1	NEXCOTE	BRASS	SHELL/BODY

UNLESS OTHERWISE SPECIFIED DIMENSIONS ARE IN MILLIMETERS. DIMENSIONS IN [] ARE IN INCHES AND FOR CUSTOMER REFERENCE ONLY.
UNLESS OTHERWISE SPECIFIED TOLERANCES FOR MILLIMETERS ARE: 0.5 - 8mm ± 0.20mm 8 - 30mm ± 0.40mm 30 - 120mm ± 0.50mm
UNLESS OTHERWISE SPECIFIED TOLERANCES FOR INCHES ARE: .020 - .315 = ± 0.007" .315 - 1.180 = ± 0.015" 1.180 - 4.724 = ± 0.020"

APPROVALS	DATE
DRAWN G.R.S.	02/23/06
CHECKED	
ISSUED	
SHEET 1 OF 1	

PART DESCRIPTION	PART NO.
N CRIMP PLUG - FOR LMR 400, (FOR LMR400, B9913 CABLE)	172102H243-11

CAD FILE	DWG. NO.	REV.	SIZE	SCALE
C:/172/172102H243-11.DWG	172102H243-11.DWG	A	A	NA

Amphenol Connex

Mouser Electronics

Authorized Distributor

Click to View Pricing, Inventory, Delivery & Lifecycle Information:

[Amphenol:](#)

[172102H243-11](#)