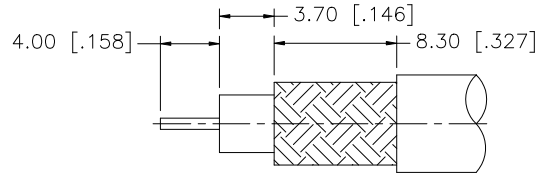
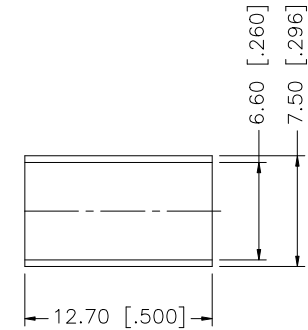
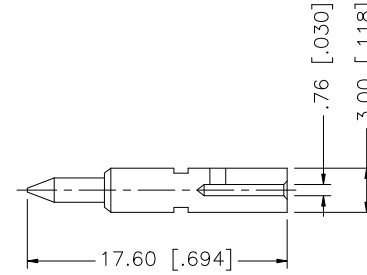
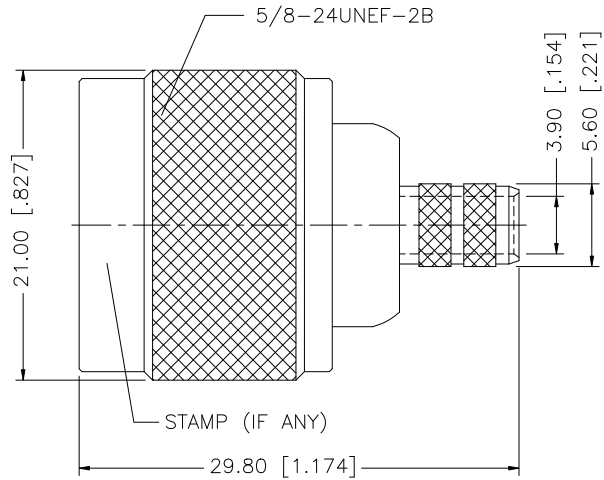


REV.	DATE	ECR NO.	DESCRIPTION
NC	05/01/04	-	INITIAL RELEASE
A	10/10/08	-	REVISE CONTACT PIN CRIMP NOTE (2)/ ADD CABLE DESCRIPTION



RECOMMENDED
CABLE STRIPPING DIM'S



NOTE:

1. CRIMPED FERRULE HEX CRIMP SIZE .255" [6.48]
2. CRIMPED CONTACT PIN HEX CRIMP SIZE .100" [2.54] OR SOLDER.

DESCRIPTION	MATERIAL	FINISH	QTY	DO NOT SCALE DRAWING	APPROVALS	DATE	Amphenol Connex							
					DRAWN	GRS	10/10/08	PART DESCRIPTION N CRIMP PLUG (FOR RG-59/U CABLE)						
					CHECKED									
					ISSUED			PART NO. 172101						
					SHEET	1 OF 1								
					CAD FILE	C:/172/172101.DWG	DWG. NO.	172101.DWG	REV.	A	SIZE	A	SCALE	NA

UNLESS OTHERWISE SPECIFIED DIMENSIONS ARE IN MILLIMETERS. DIMENSIONS IN [] ARE IN INCHES AND FOR CUSTOMER REFERENCE ONLY.

UNLESS OTHERWISE SPECIFIED TOLERANCES FOR MILLIMETERS ARE:
0.5 - 8mm ± 0.20mm
8 - 30mm ± 0.40mm
30 - 120mm ± 0.50mm

UNLESS OTHERWISE SPECIFIED TOLERANCES FOR INCHES ARE:
.020 - .315 = ± 0.007"
.315 - 1.180 = ± 0.015"
1.180 - 4.724 = ± 0.020"

Mouser Electronics

Authorized Distributor

Click to View Pricing, Inventory, Delivery & Lifecycle Information:

[Amphenol:](#)

[172101](#)