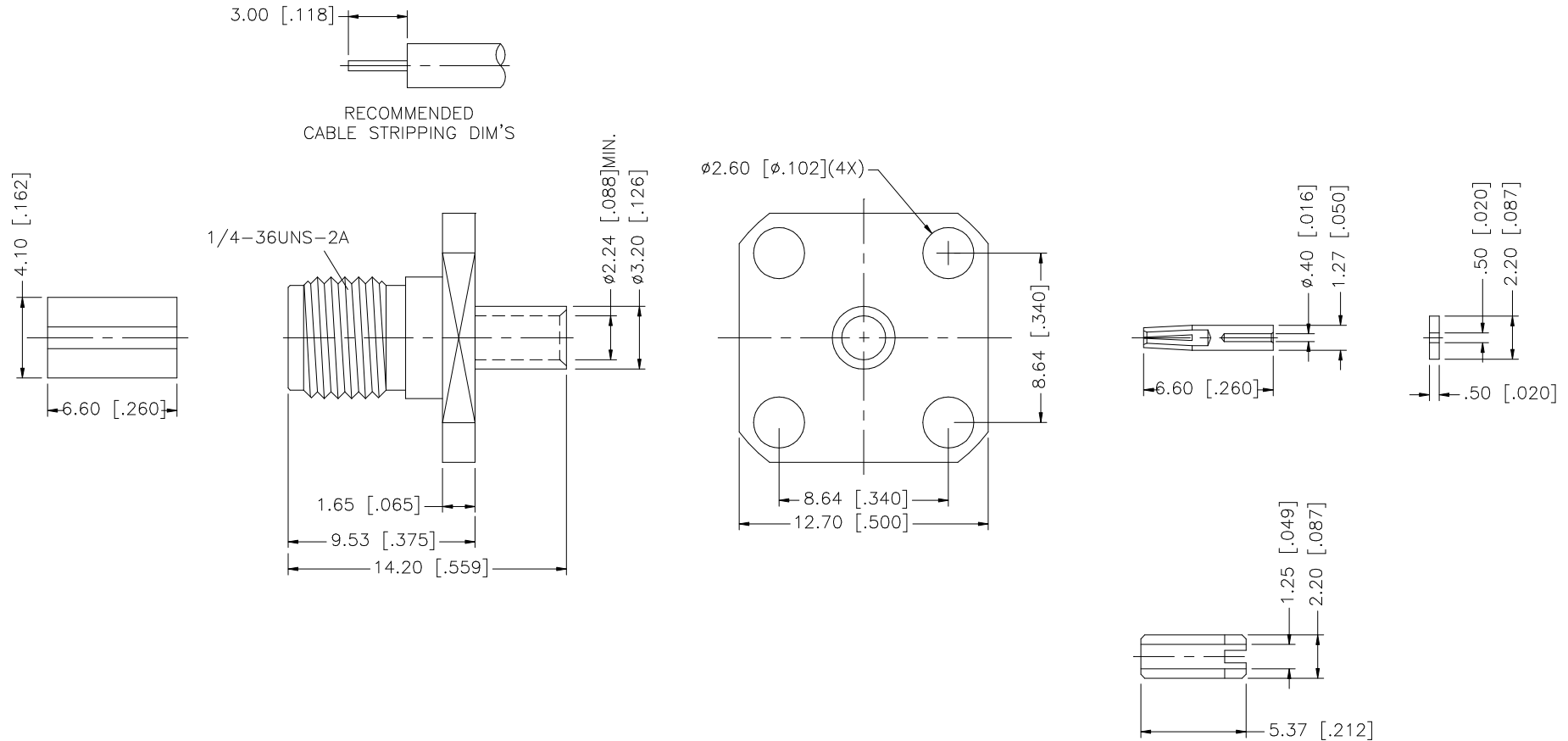


REV.	DATE	DESCRIPTION
NC	02/17/00	INITIAL RELEASE
A	09/25/06	UPDATE DRAWING FORMAT



QTY	DESCRIPTION	MATERIAL	FINISH
1	BODY	BRASS	GOLD
1	INSULATOR	TEFLON	NATURAL
1	CONTACT PIN	BER. COPPER	GOLD
1	INSULATOR	TEFLON	NATURAL
1	SOLDER BARREL	BRASS	GOLD

UNLESS OTHERWISE SPECIFIED DIMENSIONS ARE IN MILLIMETERS. DIMENSIONS IN [] ARE IN INCHES AND FOR CUSTOMER REFERENCE ONLY.

UNLESS OTHERWISE SPECIFIED TOLERANCES FOR MILLIMETERS ARE:
0.5 - 8mm ± 0.20mm
8 - 30mm ± 0.40mm
30 - 120mm ± 0.50mm

UNLESS OTHERWISE SPECIFIED TOLERANCES FOR INCHES ARE:
.020 - .315 = ± 0.007"
.315 - 1.180 = ± 0.015"
1.180 - 4.724 = ± 0.020"

DO NOT SCALE DRAWING

APPROVALS	DATE
DRAWN G.R.S.	09/25/06
CHECKED	
ISSUED	
SHEET 1 OF 1	
CAD FILE	C:/132/132252.DWG

Amphenol Connex

PART DESCRIPTION
SMA 4 HOLE PANEL JACK FOR .047" SEMI RIGID CABLE.
PART NO. 132252
DWG. NO. 132252.DWG
REV. A
SIZE A
SCALE NA

Mouser Electronics

Authorized Distributor

Click to View Pricing, Inventory, Delivery & Lifecycle Information:

[Amphenol:](#)

[132252](#)