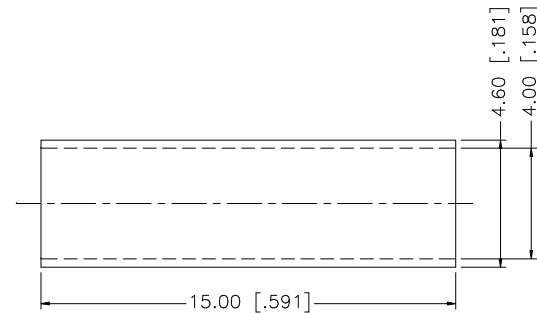
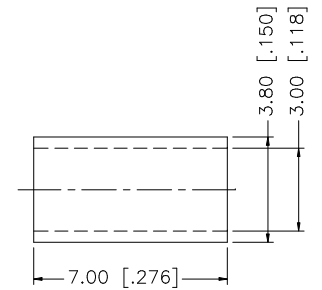
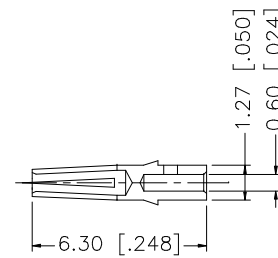
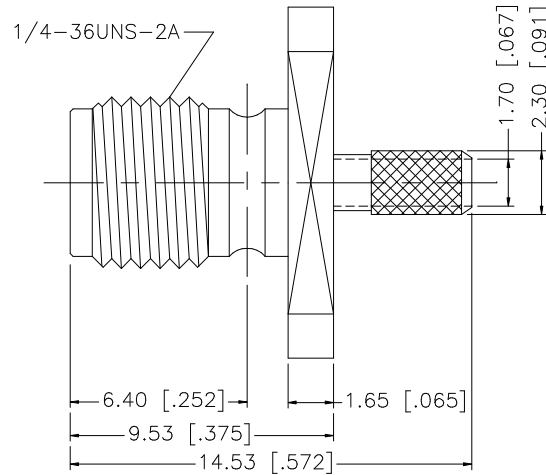
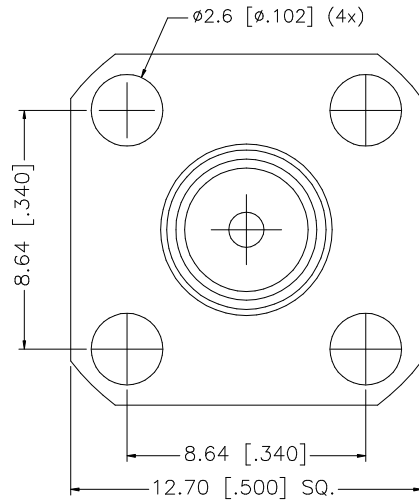
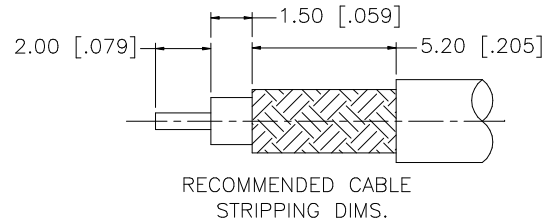


REV.	DATE	DESCRIPTION
NC	02/24/03	INITIAL RELEASE



NOTE:

1. CRIMPED FERRULE
HEX CRIMP SIZE .128"
2. CONTACT PIN TO SOLDER

DESCRIPTION	MATERIAL	FINISH	QTY	DO NOT SCALE DRAWING	APPROVALS	DATE	Amphenol Connex							
8					DRAWN	G.R.S.	02/24/03	PART DESCRIPTION SMA PANEL CRIMP JACK (FOR RG-174/U, 188A/U, 316/U)						
7					CHECKED									
6					ISSUED			PART NO. 132121						
5	HEAT SHRINK TUBE		1		SHEET	1 OF 1								
4	FERRULE	COPPER	GOLD	1	CAD FILE	C:/132/132121.DWG	DWG. NO.	132121.DWG	REV.	NC	SIZE	A	SCALE	NA
3	CONTACT PIN	BER. COPPER	GOLD	1										
2	INSULATOR	TEFLON	NATURAL	1										
1	BODY	BRASS	GOLD	1										

UNLESS OTHERWISE SPECIFIED DIMENSIONS ARE IN MILLIMETERS. DIMENSIONS IN [] ARE IN INCHES AND FOR CUSTOMER REFERENCE ONLY.

UNLESS OTHERWISE SPECIFIED TOLERANCES FOR MILLIMETERS ARE:
0.5 - 8mm ± 0.20mm
8 - 30mm ± 0.40mm
30 - 120mm ± 0.50mm

UNLESS OTHERWISE SPECIFIED TOLERANCES FOR INCHES ARE:
.020 - .315 = ± 0.007"
.315 - 1.180 = ± 0.015"
1.180 - 4.724 = ± 0.020"

Mouser Electronics

Authorized Distributor

Click to View Pricing, Inventory, Delivery & Lifecycle Information:

[Amphenol:](#)

[132121](#)