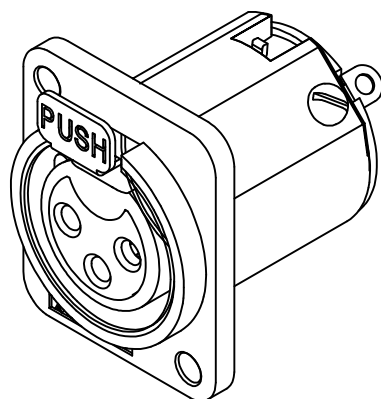


PANEL CUT OUT



ISO VIEW

AC*FDZ	INSERT No.
AC3FDZ	156-4065-*00
AC4FDZ	156-4073-*00
AC5FDZ	156-4074-*00
AC6AFDZ	156-4075-*00
AC7FDZ	156-4076-*00

UNLESS OTHERWISE SPECIFIED TOLERANCE TO BE		THIS DOCUMENT IS THE PROPERTY OF AMPHENOL AUSTRALIA PTY. LTD.. NO PART THEREOF MAY BE REPRODUCED AND USED WITHOUT THE PRIOR WRITTEN CONSENT OF THE OWNER		2	UPDATE TO AMPHENOL LOGO ADD SHEET 2 OF 2 FOR CUSTOMER DRAWING	M.N.H.	27-06-00	7473
LINEAR	ANGULAR	CAD FILE: 00821102		0	FIRST ISSUE	D.v.E.	21-09-1995	----
X ± 0.50	X' ± 1'	DRN:	D.v.E.	REV.	CHANGE DETAILS	BY	DATE	CHG/No
X,X ± 0.10	X,X' ± 30'	MATL:	REFER TO COMPONENT	DATE:	21-09-95	TITLE:		
X,XX ± 0.05	X,X,X' ± 15'	FINISH:	REFER TO COMPONENT	DATE:	28-06-02	AC*FDZ PANEL MOUNT CUSTOMER DRAWING		
DO NOT SCALE		APP'D:	P.M	DATE:	28-06-02	Amphenol Amphenol Australia Pty.Ltd, 2 Fineways Blvd, Keysborough, Vic.3173		
DIMENSIONS IN MILLIMETRES		THIRD ANGLE PROJECTION	SCALE: 2:1 UOS	PART No:	128461-0000	SIZE: A3	128461-0000	2 OF 2

Mouser Electronics

Authorized Distributor

Click to View Pricing, Inventory, Delivery & Lifecycle Information:

Amphenol:

[AC4FDZ](#) [AC4FDZB](#) [AC5FDZ](#) [AC3FDZ](#) [AC5FDZB](#) [AC6AFDZ](#) [AC3FDZB](#) [AC7FDZB](#) [ACJC10HL BULK](#) [ACJC5S BULK](#) [AC3FCP BULK](#) [AC3MCP BULK](#) [AC3MM BULK](#) [AC5FDZ BULK](#) [AC5FDZB BULK](#) [ACJC6S](#) [ACJC9H](#) [ACJC9HL](#) [ACJC10AH BULK](#) [ACJC10AV BULK](#) [ACJC6AH BULK](#) [ACJC6AVL BULK](#) [ACJC6AHL BULK](#) [ACJC9AVL BULK](#) [ACJC9AHL BULK](#) [ACJC9AV2L BULK](#)