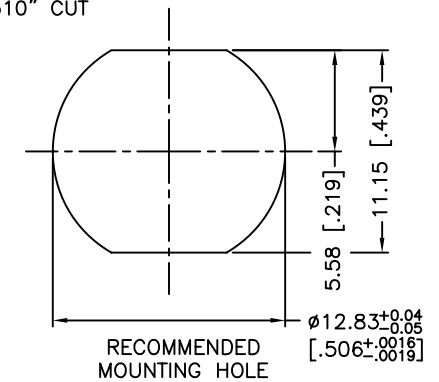
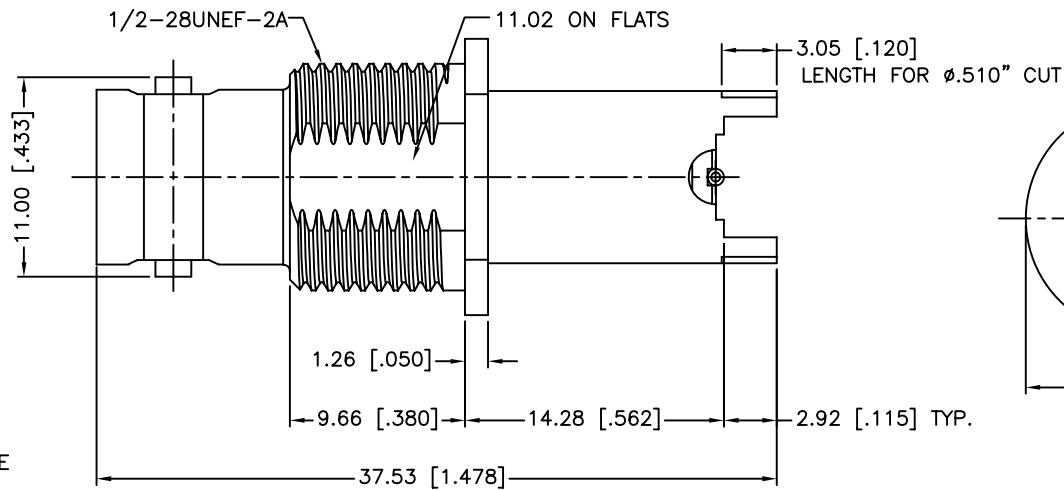
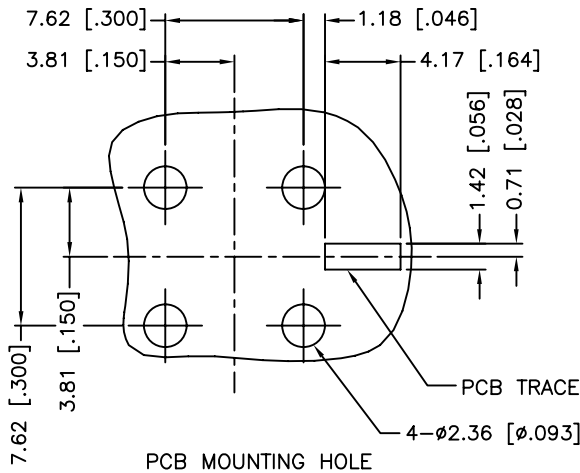
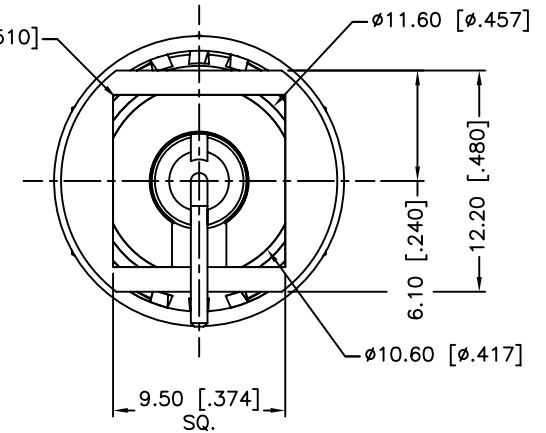
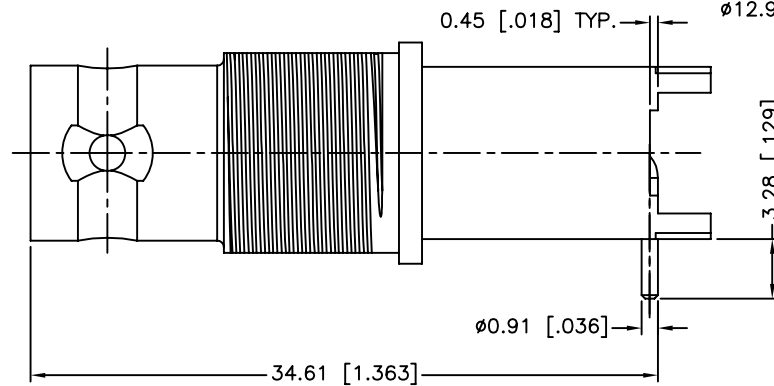
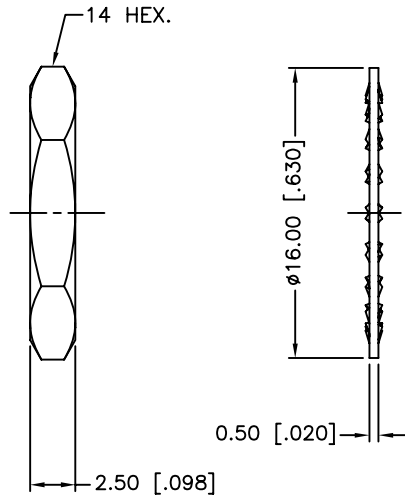


REV.	DATE	ECR NO.	DESCRIPTION
NC	05/18/10	XXXXXX	INITIAL RELEASE



1. FREQUENCY RANGE: DC - 3 GHz
2. VSWR(RETURN LOSS): 1.15 MAX DC - 3GHz
3. MAX. PANEL THICKNESS=6mm

QTY	DESCRIPTION	MATERIAL	FINISH
1	HEX. NUT	BRASS	NICKEL
1	LOCK WASHER	PHOSPHOR BRONZE	NICKEL
1	INSULATOR	PTFE	NATURAL
1	CONTACT-REAR	BRASS	GOLD
1	INSULATOR	PTFE	NATURAL
1	CONTACT PIN	BERYLLIUM COPPER	GOLD
1	LOCK RING	BRASS	NICKEL
1	MAIN BODY	BRASS	NICKEL

UNLESS OTHERWISE SPECIFIED DIMENSIONS ARE IN MILLIMETERS. DIMENSIONS IN [] ARE IN INCHES AND FOR CUSTOMER REFERENCE ONLY.

UNLESS OTHERWISE SPECIFIED TOLERANCES FOR MILLIMETERS ARE:
0.5 - 8mm ± 0.20mm
8 - 30mm ± 0.40mm
30 - 120mm ± 0.50mm

UNLESS OTHERWISE SPECIFIED TOLERANCES FOR INCHES ARE:
.020 - .315 ± 0.007"
.315 - 1.180 ± 0.015"
1.180 - 4.724 ± 0.020"

DO NOT SCALE DRAWING

APPROVALS	DATE
DRAWN M.ZHANG	05/18/10
CHECKED	
ISSUED	
SHEET 1 OF 1	
CAD FILE C:/CONNEX/112803.DWG	

Amphenol Connex

PART DESCRIPTION
**BNC P.C. MOUNT RECEPT. BULKHEAD JACK.
WITH A BENT SMT CONTACT- 75 ohm**

PART NO.
112803

DWG. NO. 112803.DWG REV. NC SIZE A SCALE NA

Mouser Electronics

Authorized Distributor

Click to View Pricing, Inventory, Delivery & Lifecycle Information:

[Amphenol:](#)

[112803](#)