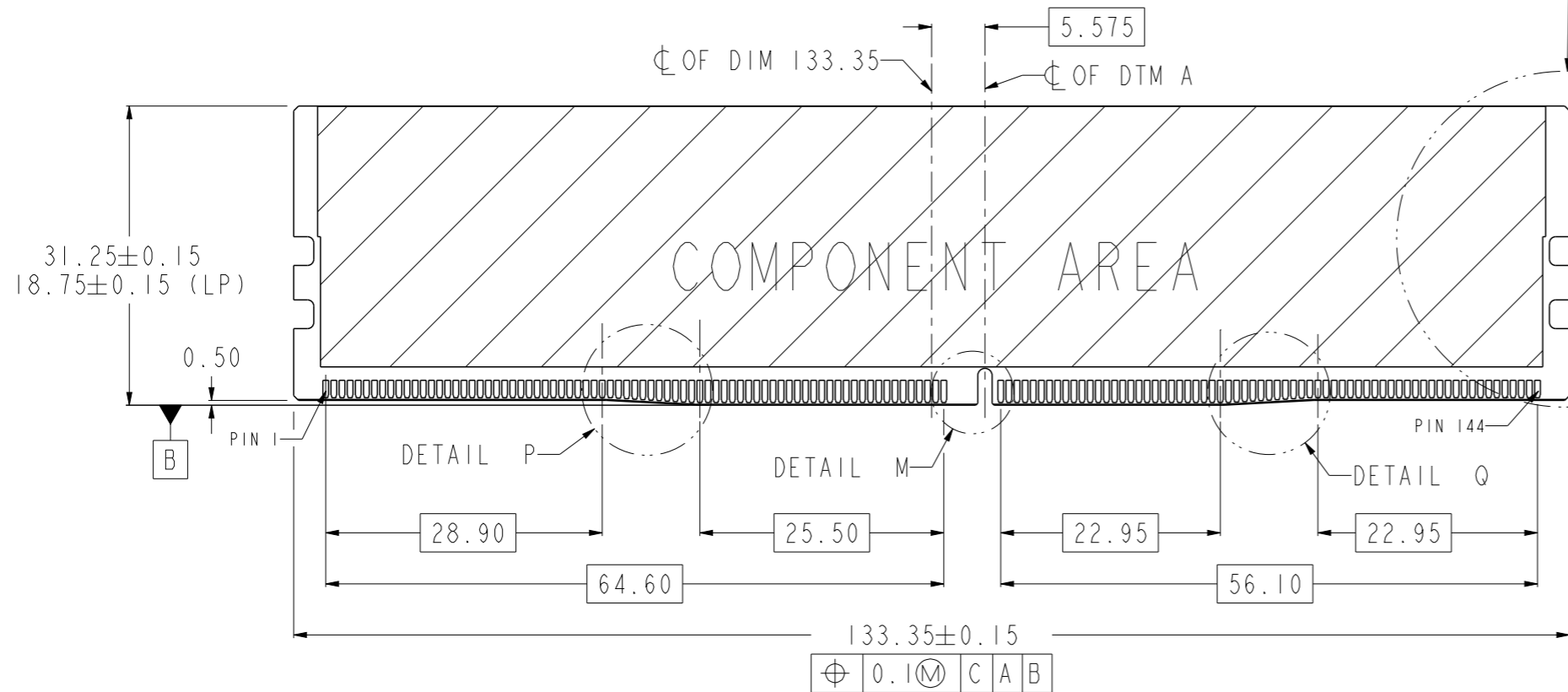


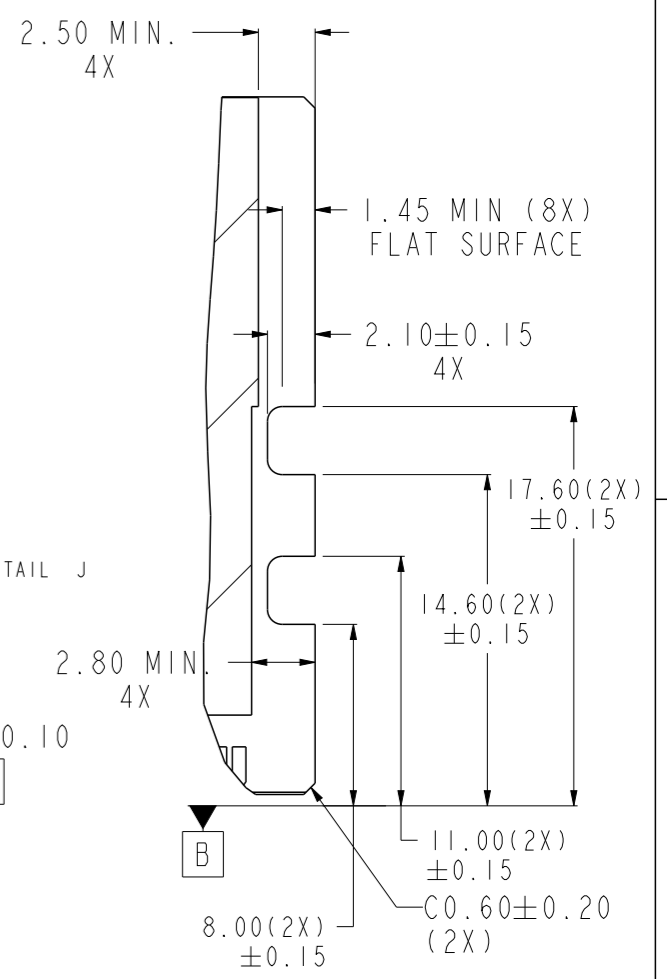
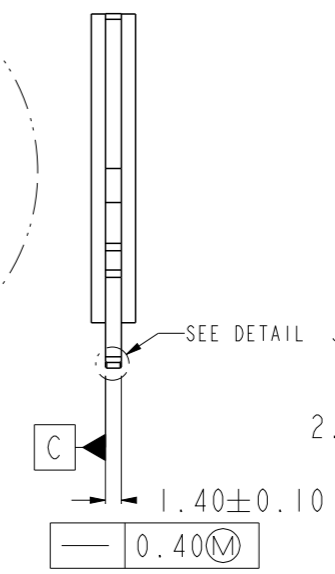
SCALE 2:1
FORKLOCK TYPE
DIM "K"±0.25

spec ref	-	dr	Nickor Zuo	2016/08/23	projection	mm	size	A3	scale	2:1	
tolerance std	ISO 406 ISO 1101	eng	Jeny Ren	2017/08/10			ecn no	ELX-DG-27625-1			
TOLERANCES UNLESS OTHERWISE SPECIFIED		chr	-	-			rel level	Released			
surface	linear	appr	Nickor Zuo	2017/08/11	product family	-	dwg no	10140702		rev	E
ISO 1302	angular	Amphenol FCi		DDR4 288 PIN DIMM CONNECTOR SMT TERMINATION		cat. no.	-	Product - Customer Drw	sheet 1 of 4		

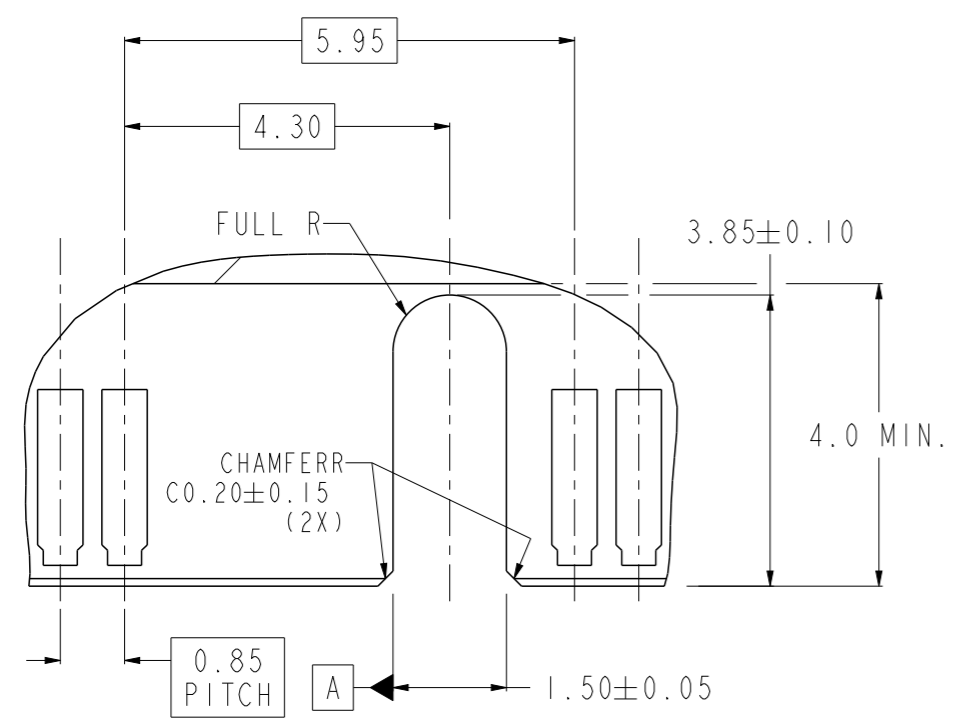
DDR4 MODULE
MORE INFORMATION REFER TO JEDEC MO-309



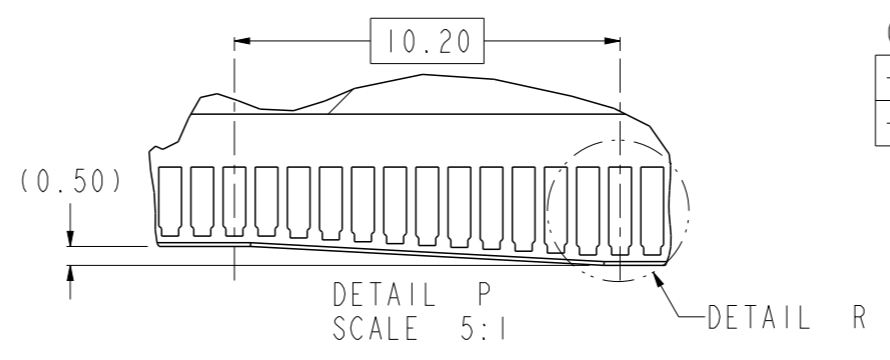
SEE DETAIL N



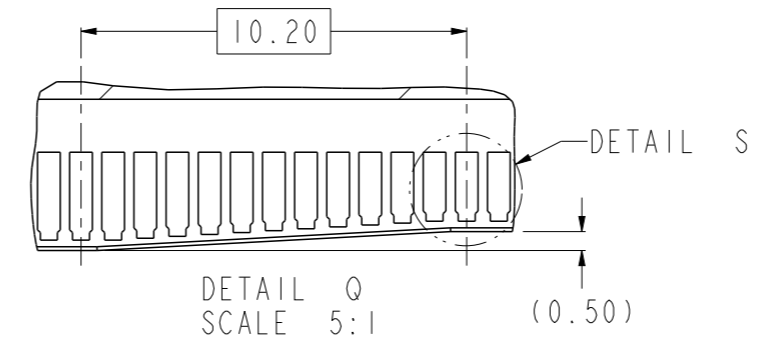
DETAIL N
SCALE 3:1



DETAIL M
SCALE 10:1



DETAIL P
SCALE 5:1



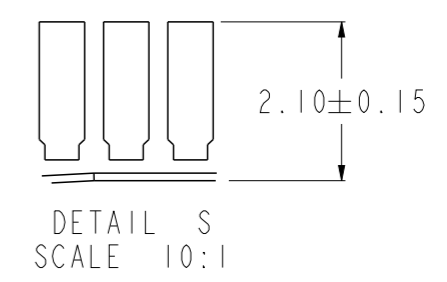
DETAIL Q
SCALE 5:1

0.60 ± 0.03 TYP			
⊕ 0.10	C	B	A
⊕ 0.05	C		

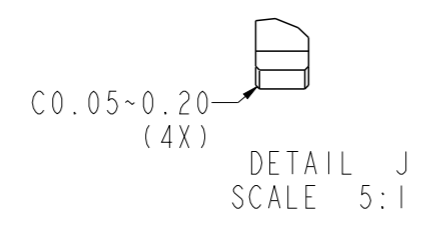
0.45 MIN. TYP.



DETAIL R
SCALE 10:1



DETAIL S
SCALE 10:1

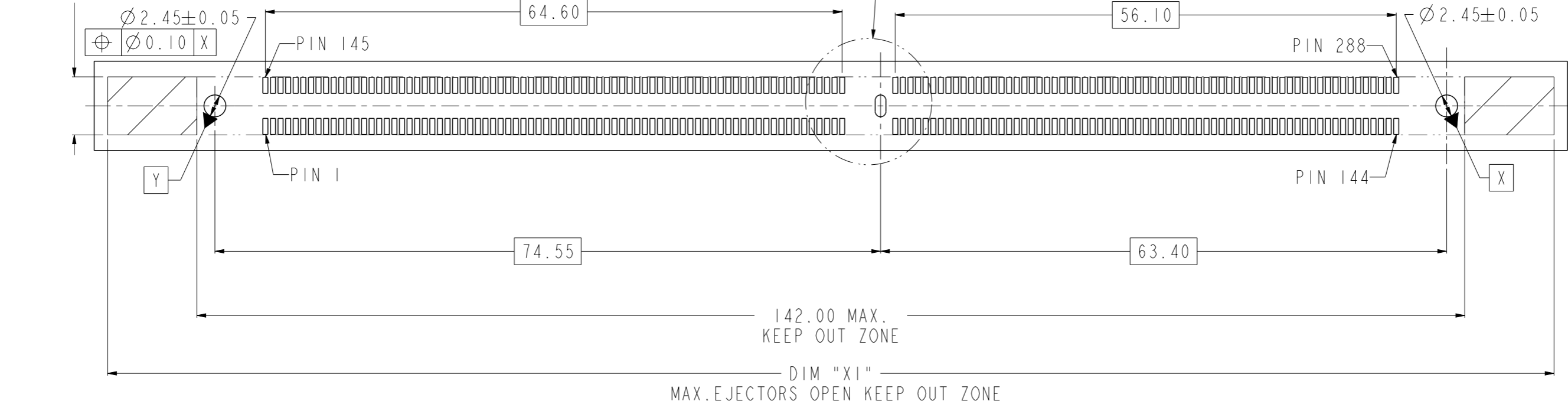


DETAIL J
SCALE 5:1

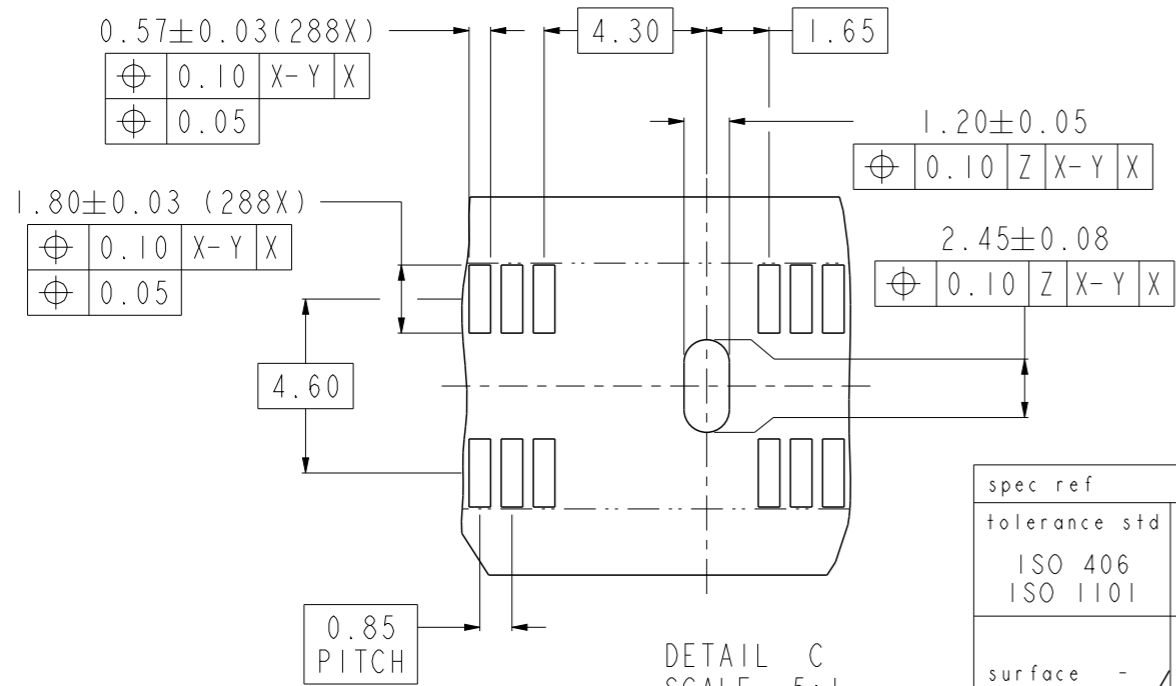
spec ref	-	dr	Nickor Zuo	2016/08/23	projection	mm	size	A3	scale	3:2
tolerance std	ISO 406 ISO 1101	eng	Jeny Ren	2017/08/10			ecn no	ELX-DG-27625-1	rel level	Released
TOLERANCES UNLESS OTHERWISE SPECIFIED		chr	-	apppr						
surface	linear	0.X	±0.30	Amphenol FCI		DDR4 288 PIN DIMM CONNECTOR SMT TERMINATION		dwg no 10140702	rev E	
		0.XX	±0.20							
		0.XXX	±0.10							
	angular	0°	±2°	cat. no.	-	Product - Customer Drw	sheet 2 of 4			

RECOMMENDED PCB LAYOUT
MORE INFORMATION REFER TO JEDEC SO-017

6.50 MAX.
KEEP OUT ZONE



THICKNESS
1.6~3.2mm



ADDITIONAL NOTES:

1. RECOMMENDED STENCIL THICKNESS IS NOT LESS THAN 0.15mm

spec ref	-	dr	Nickor Zuo	2016/08/23	projection	mm	size	A3	scale	2:1		
tolerance std	ISO 406 ISO 1101	eng	Jeny Ren	2017/08/10			ecn no	ELX-DG-27625-1	rel level Released			
TOLERANCES UNLESS OTHERWISE SPECIFIED		chr	-	app			Nickor Zuo	2017/08/11			product family	-
surface	ISO 1302	linear	0.X	±0.30			DDR4 288 PIN DIMM CONNECTOR SMT TERMINATION		dwg no	10140702	rev	E
			0.XX	±0.20					cat. no.	-	Product - Customer Drw	sheet 3 of 4
		angular	0°	±2°								

PRODUCT PART NUMBER

10140702-□□□□□□□□

ADDITIONAL REQUIREMENTS

0: DEFAULT

HOLD DOWNS CONFIGURATIONS

- 0: 3 FORKLOCKS, DIM "K"=4.00±0.25
- 1: 3 FORKLOCKS, DIM "K"=2.50±0.25
- 2: 3 FORKLOCKS, DIM "K"=3.78±0.25
- 3: 3 SOLDER TABS, DIM"L"=2.00±0.25
- 6: 3 SOLDER TABS, DIM"L"=1.50±0.25

MYLAR AND PACKAGE

- 0. WITH MYLAR(LENGTH=30mm),HARD TRAY PACKAGE
- 1. WITH MYLAR(LENGTH=90mm),HARD TRAY PACKAGE
- 2. WITHOUT MYLAR, HARD TRAY PACKAGE

HOUSING COLOR

- 0: NATURAL
- 1: BLACK
- 2: BLUE

EJECTOR TYPE

CODE	COLOR	DIM"X1" MAX.EJECTORS OPEN DISTANCE	DIM"X2" MAX.EJECTORS CLOSE DISTANCE	EJECTOR FIGURE
0	NATURAL	162.00	149.00	
I	BLACK			
D	BLUE			
3	NATURAL	153.00	143.00	
4	BLACK			
J	NATURAL	156.00	146.00	
K	BLACK			
L	BLUE			

SMT TAIL PLATING

LF: 100u" MIN. MATTE TIN
TL: 100u" MIN. TIN LEAD

CONTACT AREA PLATING

CODE	CONTACT AREA	UNDERPLATING
1	15u" MIN.GOLD	50u" MIN.NICKEL
3	30u" MIN.GOLD	

CONTACTS LUBRICATION

- 0: WITHOUT
- 1: WITH

NOTES:

1. MATERIALS:
HOUSING: HIGH PERFORMANCE RESINS, GLASS FILBER FILLED, UL94 V-0 RATED.
EJECTOR: HIGH PERFORMANCE RESINS, GLASS FILBER FILLED, UL94 V-0 RATED.
TERMINAL: COPPER ALLOY
FORKLOCK: COPPER ALLOY
SOLDER TAB: COPPER ALLOY
2. STENCIL THICKNESS IS NOT LESS THAN 0.15mm.
3. DATE CODE"MMDDYYL",MMDDYY IS ASSEMBLY DATE,
L IS FCI PRODUCTION LINE.
4. SPECIFICATION:
PRODUCTION SPECIFICATION: FCI GS-12-1092.
PACKAGE SPECIFICATION: FCI GS-14-2267.
APPLICATION SPECIFICATION: FCI GS-20-0353.
5. LEAD FREE PRODUCT MEETS EUROPEAN UNION DIRECTIVES AND OTHER COUNTRY REGULATIONS
AS DESCRIBED IN FCI GS-22-008.
6. THIS PRODUCT WILL WITHSTAND EXPOSURE TO 260°C PEAK TEMPERATURE FOR 10 SECONDS
IN REFLOW SOLDERING APPLICATION.

spec ref	-	dr	Nickor Zuo	2016/08/23	projection		mm	size	A3	scale	1:1
tolerance std	ISO 406 ISO 1101	eng	Jeny Ren	2017/08/10				ecn no	ELX-DG-27625-1		
	TOLERANCES UNLESS OTHERWISE SPECIFIED	chr	-	-				rel level	Released		
surface	linear	appr	Nickor Zuo	2017/08/11	product family	-					
	angular										
	0.X ±0.30	Amphenol FCI		DDR4 288 PIN DIMM CONNECTOR		dwg no	10140702	rev	E		
	0.XX ±0.20			SMT TERMINATION							
	0.XXX ±0.10										
	ISO 1302					cat. no.	-	Product - Customer Drw		sheet 4 of 4	

Amphenol FCI

© 2016 AFCI

Mouser Electronics

Authorized Distributor

Click to View Pricing, Inventory, Delivery & Lifecycle Information:

[FCI / Amphenol:](#)

[10140702-0101K13LF](#) [10140702-0321J13LF](#) [10140702-0102K13LF](#) [10140702-0611001LF](#) [10140702-0321K13LF](#)
[10140702-0311103LF](#) [10140702-0100303LF](#) [10140702-0101L01LF](#) [10140702-0101K01LF](#) [10140702-0302K13LF](#)
[10140702-0122J13LF](#) [10140702-0301011LF](#) [10140702-0001103LF](#) [10140702-0300001LF](#) [10140702-0101D01LF](#)
[10140702-0121J13LF](#) [10140702-0301K13LF](#) [10140702-0201101LF](#) [10140702-0311303LF](#) [10140702-0001403LF](#)
[10140702-0311403LF](#) [10140702-0302K11LF](#) [10140702-0001101LF](#) [10140702-0111J13LF](#) [10140702-0112J13LF](#)
[10140702-0301K11LF](#) [10140702-0101101LF](#)