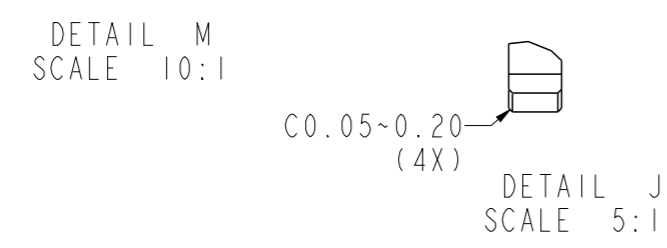
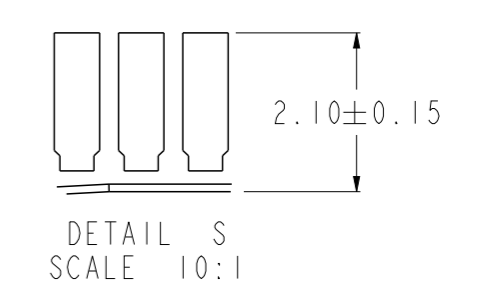
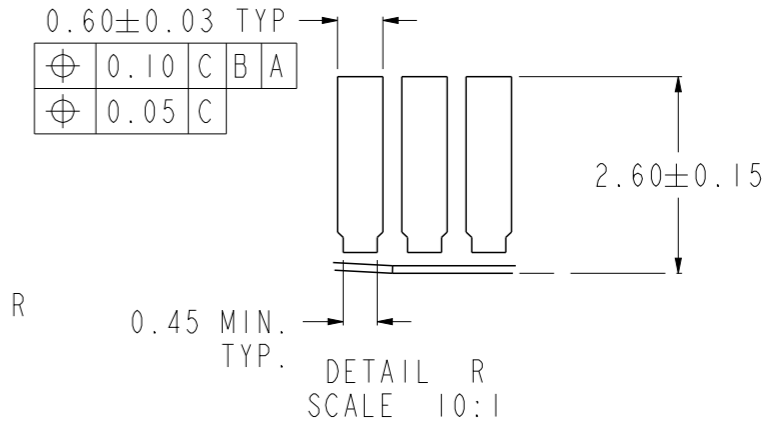
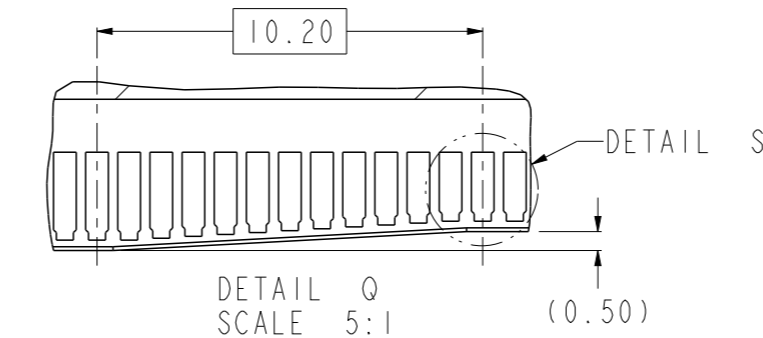
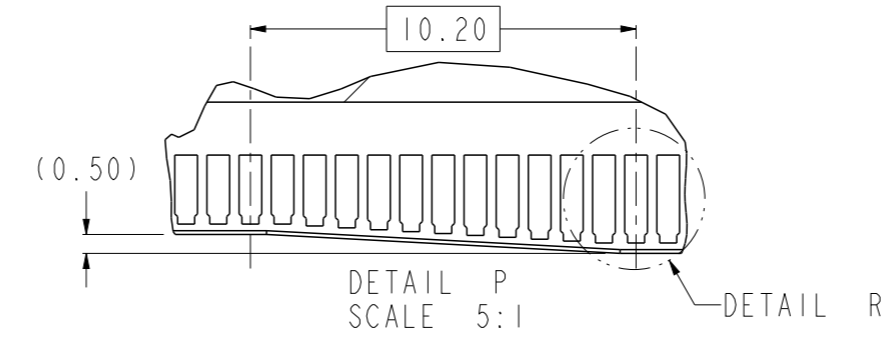
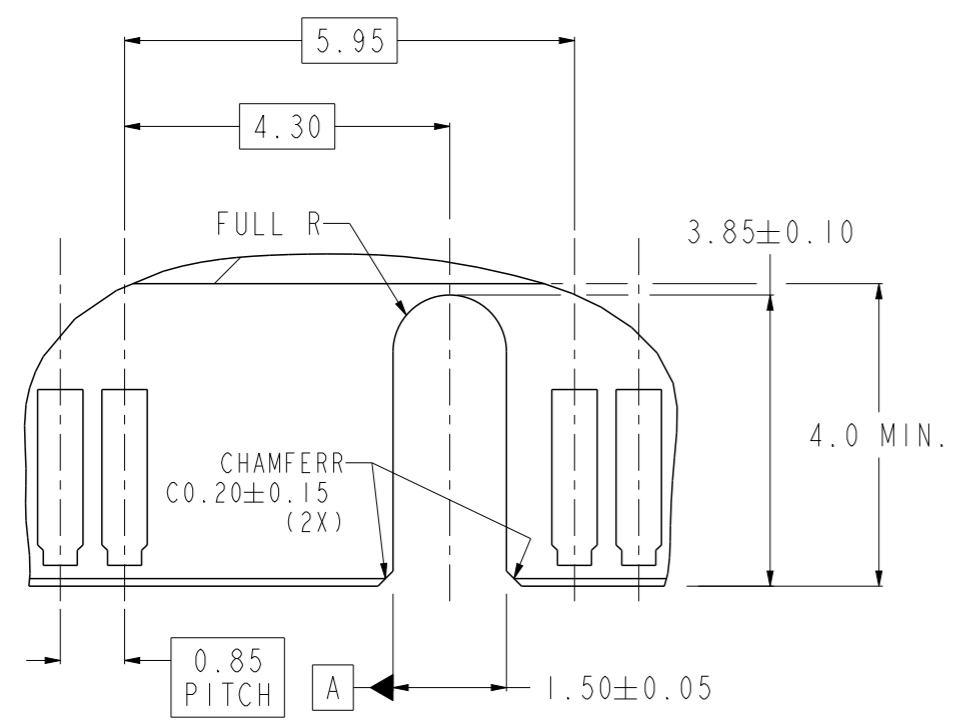
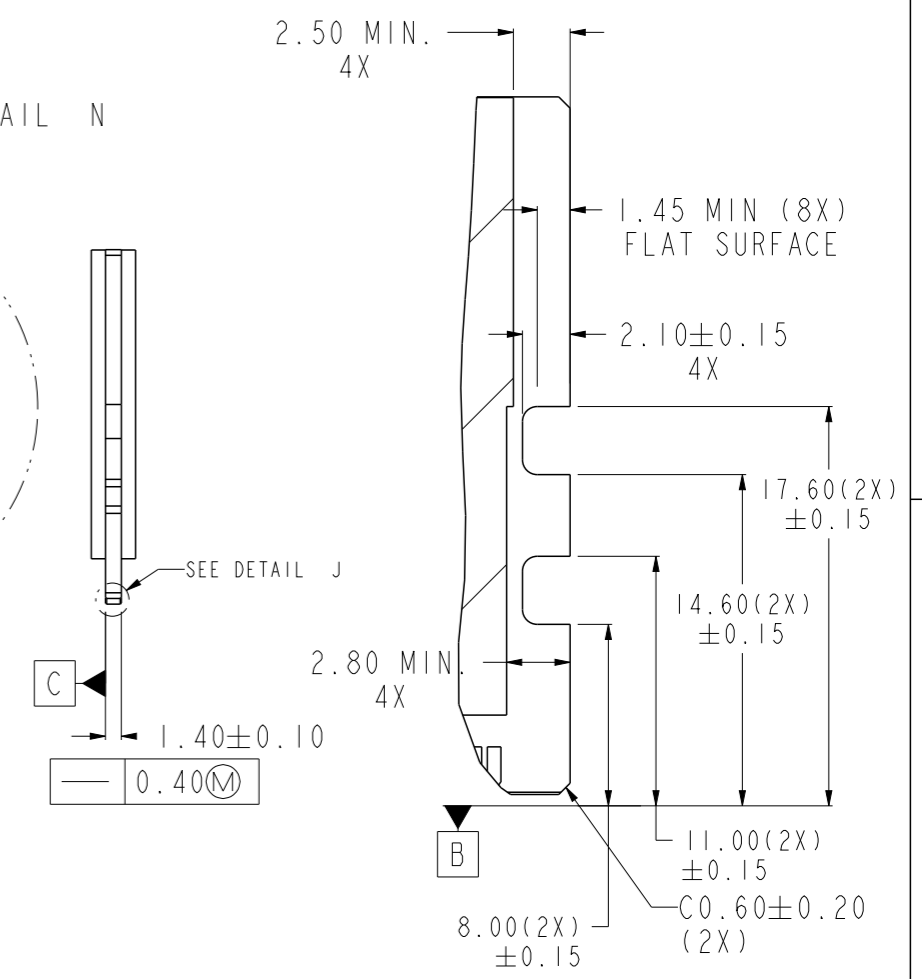
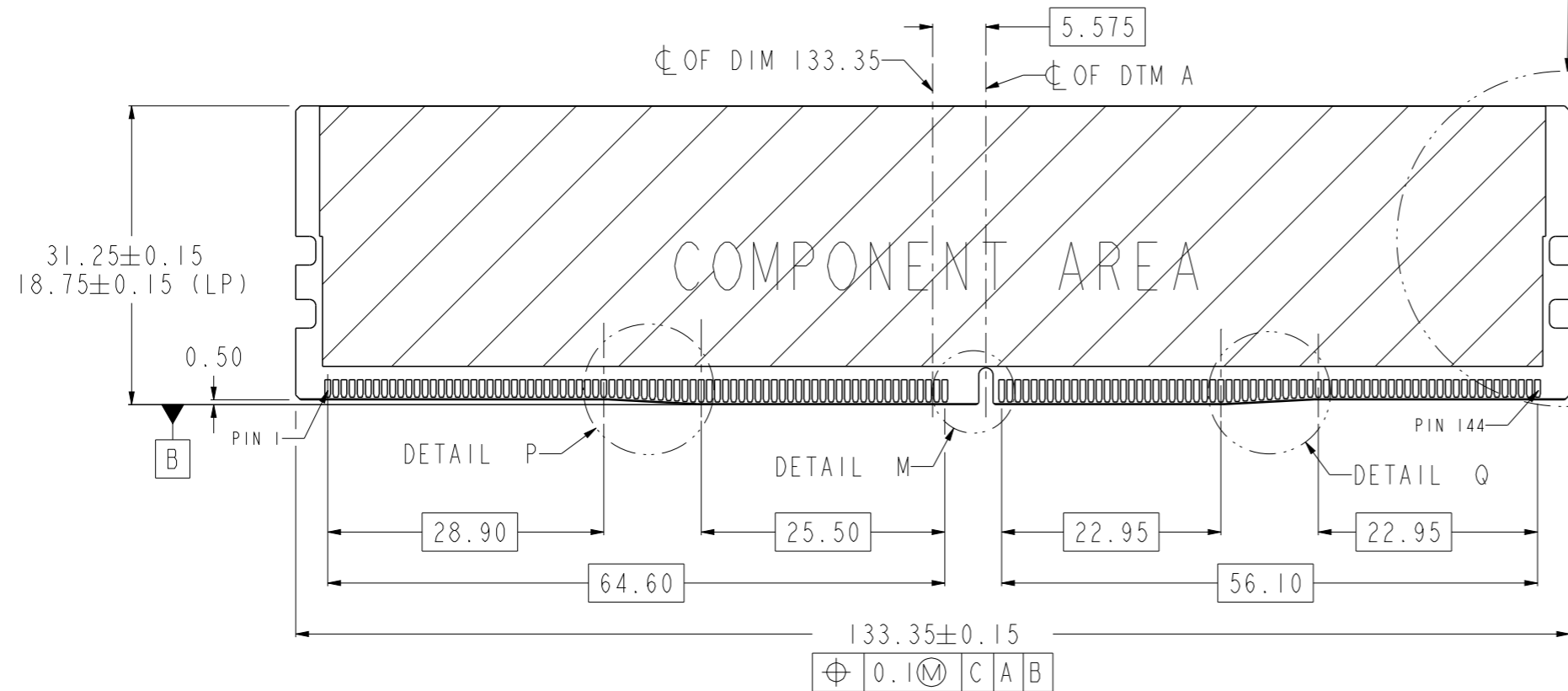


SCALE 2:1
FORKLOCK TYPE
DIM "K" \pm 0.25

spec ref	-	dr	Jeny Ren	2016/05/17	projection	mm	size	A3	scale	2:1
tolerance std	ISO 406 ISO 1101	eng	Jeny Ren	2016/10/28			ecn no	-	rel level	Released
TOLERANCES UNLESS OTHERWISE SPECIFIED		chr	-	2016/10/28						
surface	linear	0.X	± 0.30	Amphenol FCi	DDR4 288 PIN DIMM CONNECTOR		dwg no	10139709	rev	A
		0.XX	± 0.20		SMT TERMINATION					
		0.XXX	± 0.10		cat. no.	-				
	angular	0°	$\pm 2^\circ$							

DDR4 MODULE
MORE INFORMATION REFER TO JEDEC MO-309



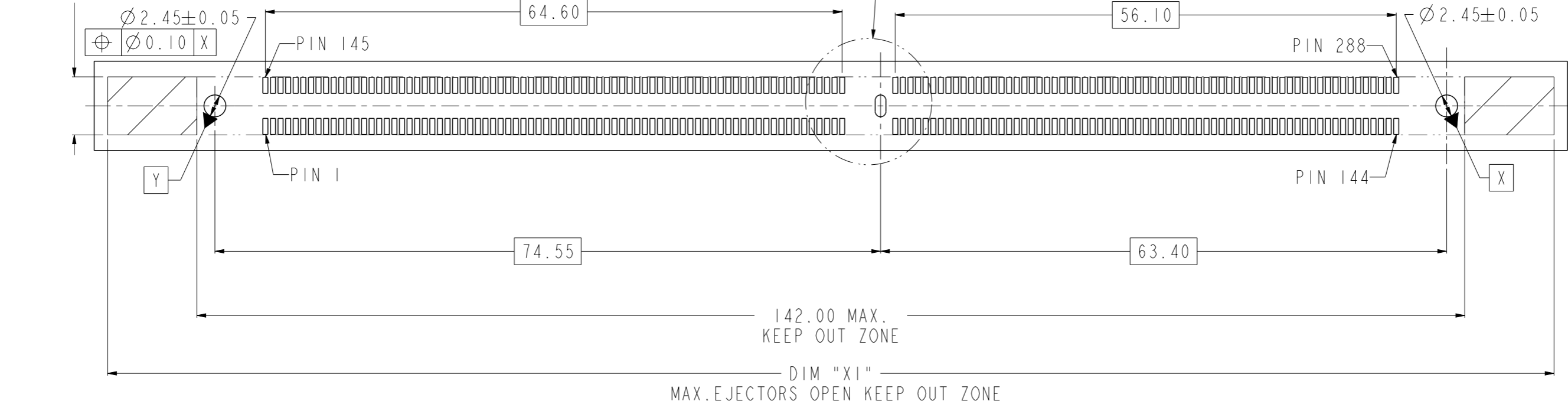
spec ref	-	dr	Jeny Ren	2016/05/17	projection	mm	size	A3	scale	3:2
tolerance std	ISO 406 ISO 1101	eng	Jeny Ren	2016/10/28			ecn no	-	rel level	Released
TOLERANCES UNLESS OTHERWISE SPECIFIED		chr	-	-			product family	-	rel level	Released
surface	linear	appr	Nickor Zuo	2016/10/28			product family	-	rel level	Released
ISO 1302	angular	0°	±2°			product family	-	rel level	Released	
		0.X	±0.30			product family	-	rel level	Released	
		0.XX	±0.20			product family	-	rel level	Released	
		0.XXX	±0.10			product family	-	rel level	Released	

Amphenol FCI	DDR4 288 PIN DIMM CONNECTOR	dwg no	10139709	rev	A
	SMT TERMINATION	cat. no.	-	Product - Customer Drw	sheet 2 of 4

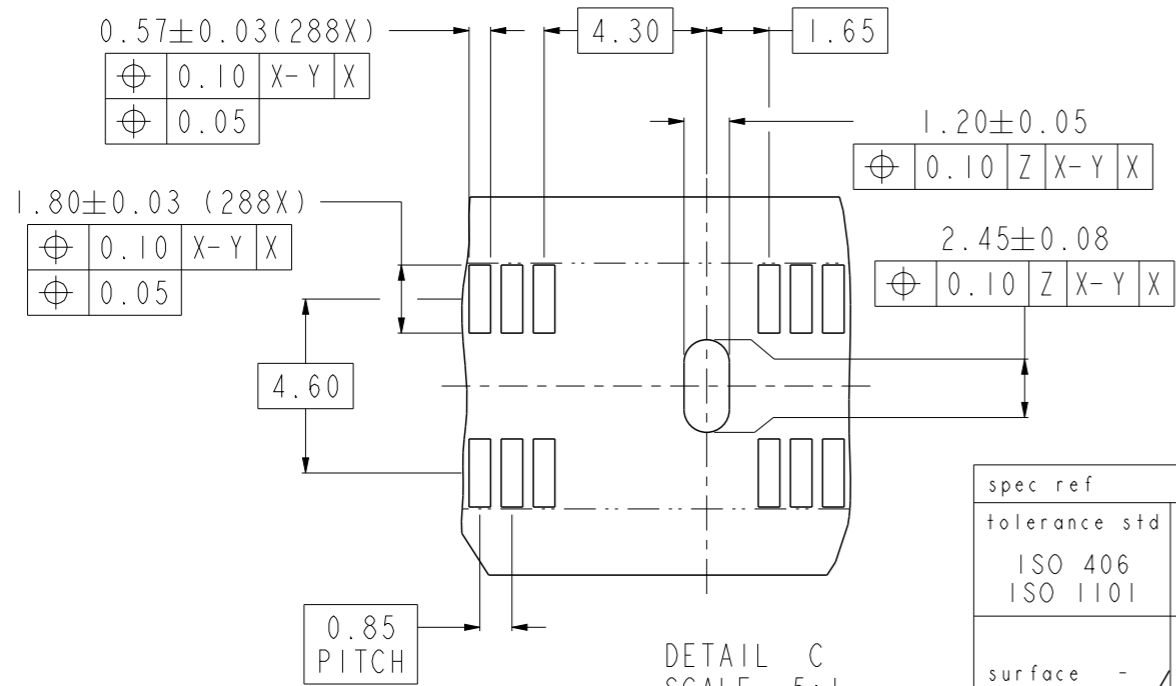
© 2016 AFCI Amphenol FCI

RECOMMENDED PCB LAYOUT
MORE INFORMATION REFER TO JEDEC SO-017

6.50 MAX.
KEEP OUT ZONE



THICKNESS
1.6~3.2mm



ADDITIONAL NOTES:

1. RECOMMENDED STENCIL THICKNESS IS NOT LESS THAN 0.15mm

DETAIL C
SCALE 5:1

spec ref	-	dr	Jeny Ren	2016/05/17	projection	mm	size	A3	scale	2:1
tolerance std	ISO 406 ISO 1101	eng	Jeny Ren	2016/10/28			ecn no	-	rel level	Released
surface	linear	chr	-	-			product family	-	rel level	Released
	angular	appr	Nickor Zuo	2016/10/28			dwg no	10139709	rev	A
					cat. no. - Product - Customer Drw		sheet 3 of 4			

PRODUCT PART NUMBER

10139709-□□□□□□□□

ADDITIONAL REQUIREMENTS

0: DEFAULT

HOLD DOWNS CONFIGURATIONS

- 0: 3 FORKLOCKS, DIM "K"=4.00±0.25
- 1: 3 FORKLOCKS, DIM "K"=2.50±0.25
- 2: 3 FORKLOCKS, DIM "K"=3.78±0.25
- 3: 3 SOLDER TABS, DIM"L"=2.00±0.25
- 6: 3 SOLDER TABS, DIM"L"=1.50±0.25

MYLAR AND PACKAGE

- 0. WITH MYLAR(LENGTH=30mm),HARD TRAY PACKAGE
- 1. WITH MYLAR(LENGTH=90mm),HARD TRAY PACKAGE
- 2. WITHOUT MYLAR, HARD TRAY PACKAGE
- 3. WITHOUT MYLAR, SPECIFIED HARD TRAY PACKAGE(OMIT FOUR CORNERS)

HOUSING COLOR

- 0: NATURAL
- 1: BLACK
- 2: BLUE

EJECTOR TYPE

CODE	COLOR	DIM"X1" MAX.EJECTORS OPEN DISTANCE	DIM"X2" MAX.EJECTORS CLOSE DISTANCE	EJECTOR FIGURE
0	NATURAL	162.00	149.00	
1	BLACK			
E	NATURAL	155.00	145.00	
F	BLACK			

SMT TAIL PLATING

LF: 100u" MIN. MATTE TIN
TL: 100u" MIN. TIN LEAD

CONTACT AREA PLATING

CODE	CONTACT AREA	UNDERPLATING
1	15u" MIN.GOLD	50u" MIN.NICKEL
3	30u" MIN.GOLD	
4	30u" MIN.GXT	
5	15u" MIN.GXT	

CONTACTS LUBRICATION

- 0: WITHOUT
- 1: WITH

NOTES:

1. MATERIALS:
HOUSING: HIGH PERFORMANCE RESINS, GLASS FILBER FILLED, UL94 V-0 RATED.
EJECTOR: HIGH PERFORMANCE RESINS, GLASS FILBER FILLED, UL94 V-0 RATED.
TERMINAL: COPPER ALLOY
FORKLOCK: COPPER ALLOY
SOLDER TAB: COPPER ALLOY
2. STENCIL THICKNESS IS NOT LESS THAN 0.15mm.
3. DATE CODE"MMDDYYL",MMDDYY IS ASSEMBLY DATE,
L IS FCI PRODUCTION LINE.
4. SPECIFICATION:
PRODUCTION SPECIFICATION: FCI GS-12-1092.
PACKAGE SPECIFICATION: FCI GS-14-2267.
APPLICATION SPECIFICATION: FCI GS-20-0353.
5. LEAD FREE PRODUCT MEETS EUROPEAN UNION DIRECTIVES AND OTHER COUNTRY REGULATIONS AS DESCRIBED IN FCI GS-22-008.
6. THIS PRODUCT WILL WITHSTAND EXPOSURE TO 260°C PEAK TEMPERATURE FOR 10 SECONDS IN REFLOW SOLDERING APPLICATION.

spec ref	-	dr	Jeny Ren	2016/05/17	projection		mm	size	A3	scale	1:1
tolerance std	ISO 406 ISO 1101	eng	Jeny Ren	2016/10/28	product family			ecn no	-	rel level Released	
TOLERANCES UNLESS OTHERWISE SPECIFIED		chr	-	-							
surface	linear	appr	Nickor Zuo	2016/10/28	Amphenol FCI			dwg no	10139709	rev	A
ISO 1302	angular	0.X ±0.30 0.XX ±0.20 0.XXX ±0.10		DDR4 288 PIN DIMM CONNECTOR SMT TERMINATION				cat. no.	-	Product - Customer Drw	sheet 4 of 4

Amphenol FCI

© 2016 AFCI

Mouser Electronics

Authorized Distributor

Click to View Pricing, Inventory, Delivery & Lifecycle Information:

[FCI / Amphenol:](#)

[10139709-0130E13LF](#) [10139709-0101F13LF](#) [10139709-0131F13LF](#) [10139709-0101F14LF](#) [10139709-0301F03LF](#)
[10139709-0320E13LF](#) [10139709-0121F13LF](#) [10139709-0100E14LF](#) [10139709-0600001LF](#) [10139709-0120E13LF](#)
[10139709-0100E13LF](#) [10139709-0321F13LF](#)