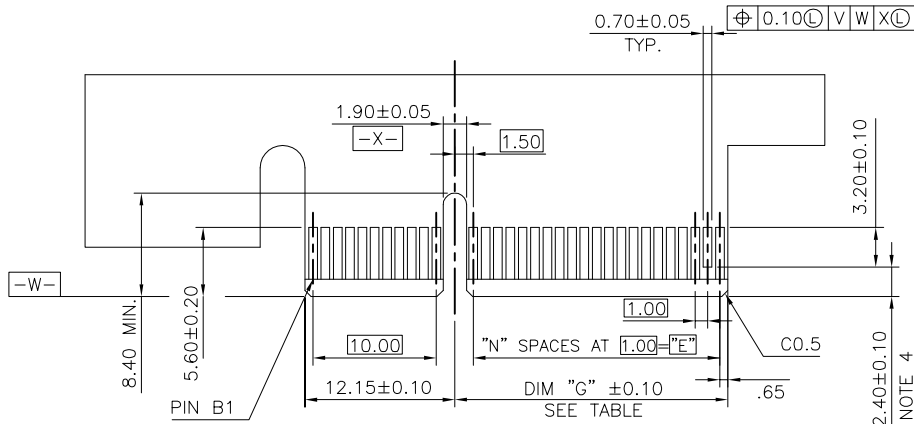


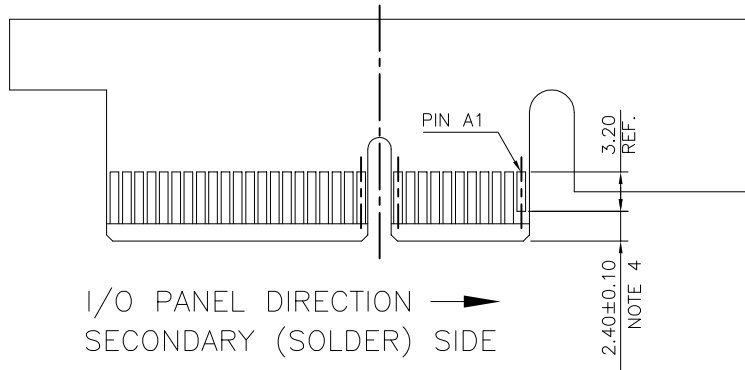
← I/O PANEL DIRECTION

RECOMMENDED FOOTPRINT

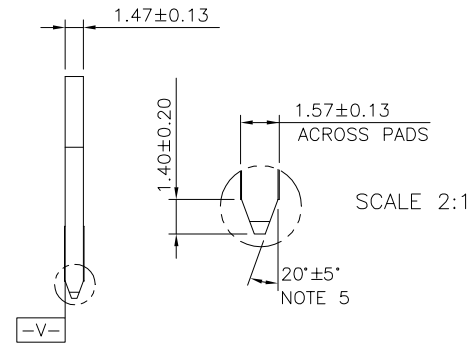
| | | | | | | | | | |
|-------------|----------|------------|-------------|---------------------------------------|----------|------------|----------|----------------------------|------------------|
| mat'l. code | | surface 58 | | tolerance | | projection | | product family | |
| | | ASME_Y14.5 | | ASME_Y14.5 | | | | PCI_EXPRESS | |
| ltr | ecn no | dr | date | tolerances unless otherwise specified | | | | | |
| | | | | angles | .X±.25 | | | title | |
| | | | | line | .XX±.13 | scale N/A | | PCI_EXPRESS_CARD_EDGE_GEN3 | |
| | | | | 0'±2' | .XXX±.05 | | | ONE_OPEN-END_STB_ASS'Y | |
| | | dr | ZHENHUA_LIU | 2015-12-07 | | | dwg no | | sheet 2 of 4 |
| | | engr | ZHENHUA_LIU | 2015-12-07 | | | 10137945 | | A4 |
| | | chr | STONE_LI | 2015-12-07 | | | type | | CUSTOMER Drawing |
| | | app | PM_ZHENG | 2015-12-07 | | | | | |
| sheet index | revision | A | | | | | | | |
| | sheet | 2 | | | | | | | |



← I/O PANEL DIRECTION
PRIMARY (COMPONENT) SIDE



I/O PANEL DIRECTION →
SECONDARY (SOLDER) SIDE



ADD-IN CARD EDGE-FINGER DIMENSIONS

| # | POS | REF. | N | DIM "G" | "F" |
|-----|-----|------|-------|---------|-----|
| 36 | 6 | | 8.15 | B17 | |
| 64 | 20 | | 22.15 | B31 | |
| 98 | 37 | | 39.15 | B48 | |
| 164 | 70 | | 72.15 | B81 | |

| | | | | | | | |
|---------------------------------------|--|--|--|------------|--|---|--|
| mat'l. code | | surface 58 / tolerance ASME_Y14.5 / ASME_Y14.5 | | projection | | product family PCI_EXPRESS | |
| ltr | | ecn no | | dr | | date | |
| tolerances unless otherwise specified | | .X±.25 | | .XX±.13 | | .XXX±.05 | |
| angles | | 0°±2' | | MM | | scale N/A | |
| dr | | ZHENHUA_LIU | | 2015-12-07 | | engr | |
| engr | | ZHENHUA_LIU | | 2015-12-07 | | chr | |
| chr | | STONE_LI | | 2015-12-07 | | appd | |
| appd | | PM_ZHENG | | 2015-12-07 | | FCI | |
| sheet index | | revision sheet | | A 3 | | title PCI_EXPRESS_CARD_EDGE_GEN3 ONE_OPEN-END_STB_ASS'Y | |
| dwg no | | sheet 3 of 4 | | size A4 | | type CUSTOMER Drawing | |
| 10137945 | | | | | | | |



NOTES:

1.MATERIAL:

HOUSING: HIGH TEMPERATURE NYLON, GLASS FILLED UL94V-0 RATED.
TERMINAL: COPPER ALLOY.

PLATING:SEE PRODUCT NUMBER CODE

METAL BOARD LOCKS: COPPER ALLOY.

FINISH: TIN OVER NICKEL

2.PRODUCT SPECIFICATION: GS-12-233.

PACKAGING SPECIFICATION: GS-14-858 FOR SOFT TRAY, GS-14-1451 FOR HARD TRAY

③THE HORIZONTAL AXIS FOR THE HOLE PATTERN IS ESTABLISHED BY

A LINE THROUGH THE CENTER OF THE TWO Ø2.35 HOLES.

THE VERTICAL AXIS IS 90° TO THE HORIZONTAL AXIS, THROUGH THE CENTER OF DATUM Z.

④NO TIE BAR PERMITTED FROM CARD EDGE TO LEADING EDGE OF PAD FOR PINS A1 AND PIN NUMBERS "F".

⑤CHAMFER EDGES MUST BE FREE OF CUTTING BURRS.

⑥FREQUENCY & LOCATION AT SUPPLIER DISCRETION. RIDGE MAY BE CONTINUOUS WITH NO BREAKS.

7.RoHS COMPATIBLE PRODUCT SPECIFICATIONS:

a - PLATING:

- "LF" MEANS THE PRODUCT IS LEAD-FREE, 2um MINIMUM MATTE TIN OVER 1.27um MINIMUM NICKEL UNDERPLATE.

b - MANUFACTURING PROCESS COMPATIBILITY:

- THE HOUSING WILL WITHSTAND EXPOSURE TO 260°C±5°C TEMPERATURE FOR 10 SECONDS IN RE-FLOW APPLICATION, REFER TO GS-14-858 FOR OPERATING.

| CONNECTOR | # POS REF. | N | DIM "B" | DIM "C" | "E" |
|-----------|------------|----|---------|---------|-------|
| 1 PORT | 36 | 6 | 25.00 | 9.15 | 6.00 |
| 4 PORT | 64 | 20 | 39.00 | 23.15 | 20.00 |
| 8 PORT | 98 | 37 | 56.00 | 40.15 | 37.00 |
| 16 PORT | 164 | 70 | 89.00 | 73.15 | 70.00 |

PRODUCT NUMBER CODE

10137945

HOUSING COLOR OPTIONS

- 0-NATURAL
- 1-BLACK

PEGS OPTIONS

- 0-PLASTIC PEGS

TERMINAL PLATING OPTIONS

- 0-50u" Ni UNDERPLATE
30u" Au CONTACT AREA
100u" TIN TAIL AREA ----- COMPATIBLE RoHS
- 1-50u" Ni UNDERPLATE
15u" Au CONTACT AREA
100u" TIN TAIL AREA ----- COMPATIBLE RoHS
- 2-50u" Ni UNDERPLATE
GOLD FLASH CONTACT AREA
100u" TIN TAIL AREA ----- COMPATIBLE RoHS

LEAD FREE OPTION

LEAVE BLANK FOR TERMINAL PLATING 3.4.5
"LF" FOR TERMINAL PLATING OPTION 0,1,2

PACKAGING OPTIONS

- T-SOFT TRAY PACKAGING
- M-SOFT TRAY PACKAGING & MYLAR TAPE.
- Y-HARD TRAY PACKAGING (FOR 164P ONLY)
- Z-HARD TRAY PACKAGING WITH MYLAR (FOR 164P ONLY)
- R-TAPE & REEL PACKAGING (FOR 36, 64, 98P)
- A-TAPE & REEL PACKAGING WITH MYLAR (FOR 36, 64, 98P)

POS OPTIONS

- 0-36
- 1-64
- 2-98
- 3-164

TAIL LENGTH OPTIONS

| | DIM "D" | PCB THICKNESS |
|---|------------------|---------------|
| 0 | 2.30 +0.25/-0.13 | 1.56±0.10 |
| 1 | 3.10 +0.25/-0.13 | 2.36±0.10 |
| 2 | 2.54±0.25 | 1.56±0.10 |
| 3 | 1.90±0.25 | 1.56±0.10 |

| | | | | | | | | |
|-------------|----------------|---|-------------|---------------------------------------|----------|-------------------------------|--|--|
| mat'l. code | | surface 58 / tolerance ASME_Y14.5 / ASME_Y14.5 | | projection | | product family PCI_EXPRESS | | |
| ltr | ecn no | dr | date | tolerances unless otherwise specified | | title | | |
| | | | | angles | .X±.30 | PCI_EXPRESS_CARD_EDGE_GEN3 | | |
| | | | | line | .XX±.20 | ONE_OPEN-END_STB_ASS'Y | | |
| | | | | 0'±2' | .XXX±.10 | scale N/A | | |
| | | dr | ZHENHUA_LIU | 2015-12-07 | | dwg no sheet 4 of 4 size | | |
| | | engr | ZHENHUA_LIU | 2015-12-07 | | 10137945 A4 | | |
| | | chr | STONE_LI | 2015-12-07 | | type CUSTOMER Drawing | | |
| | | appd | PM_ZHENG | 2015-12-07 | | | | |
| sheet index | revision sheet | A | 4 | | | | | |

Mouser Electronics

Authorized Distributor

Click to View Pricing, Inventory, Delivery & Lifecycle Information:

[FCI / Amphenol:](#)

[10137945-10100TLF](#) [10137945-10200ALF](#) [10137945-10012RLF](#) [10137945-10000RLF](#) [10137945-10101RLF](#)