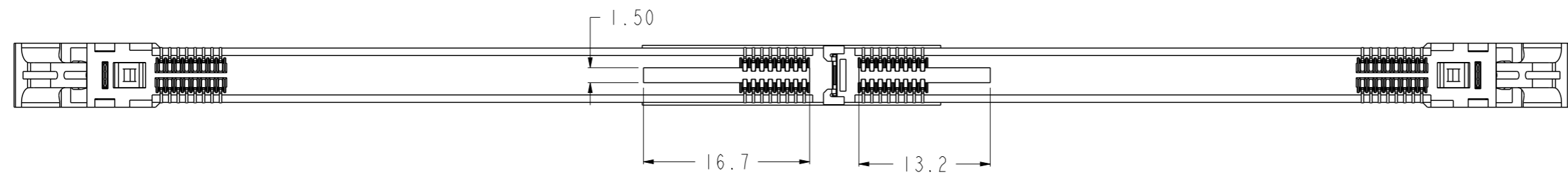
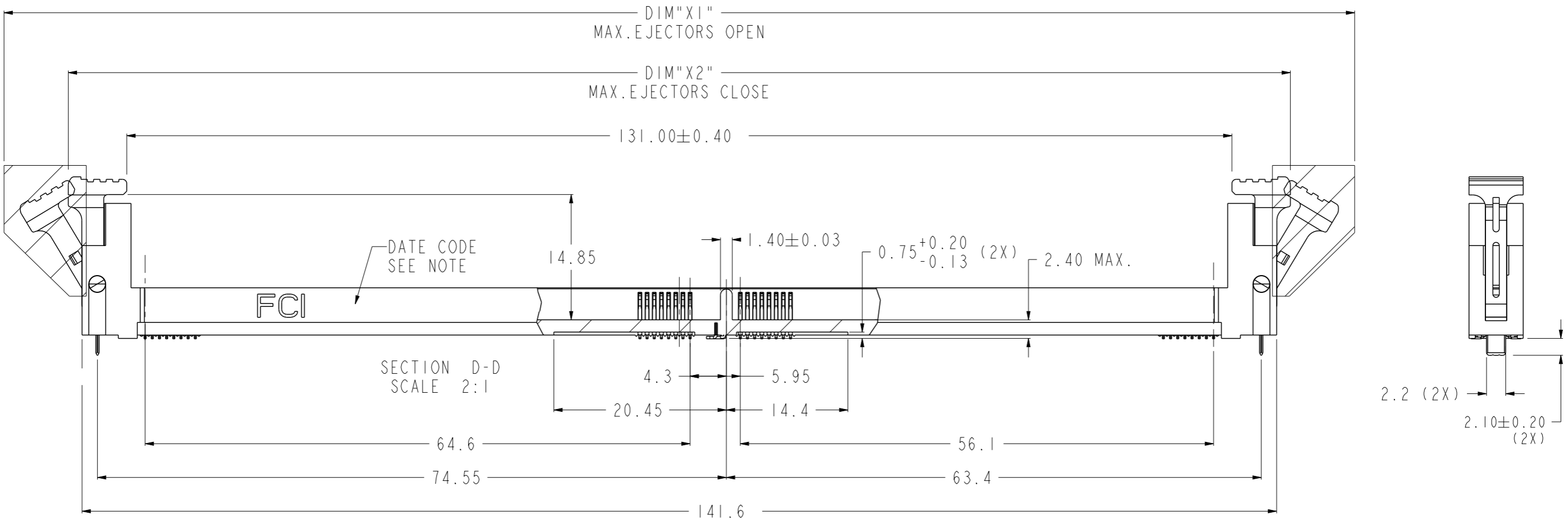
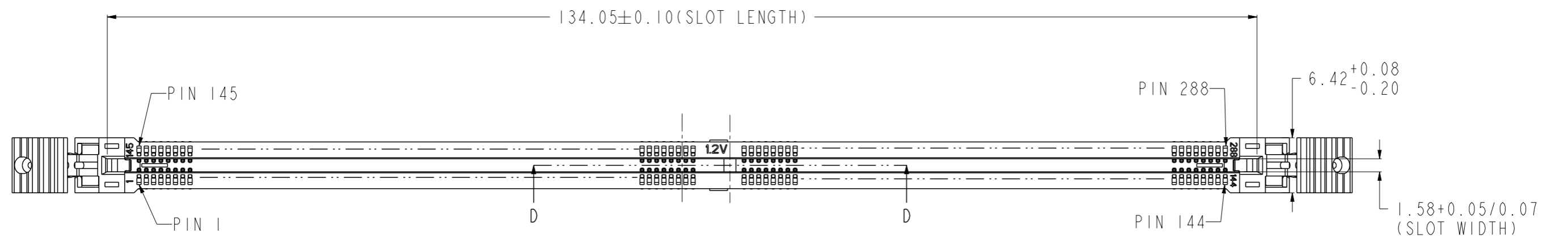


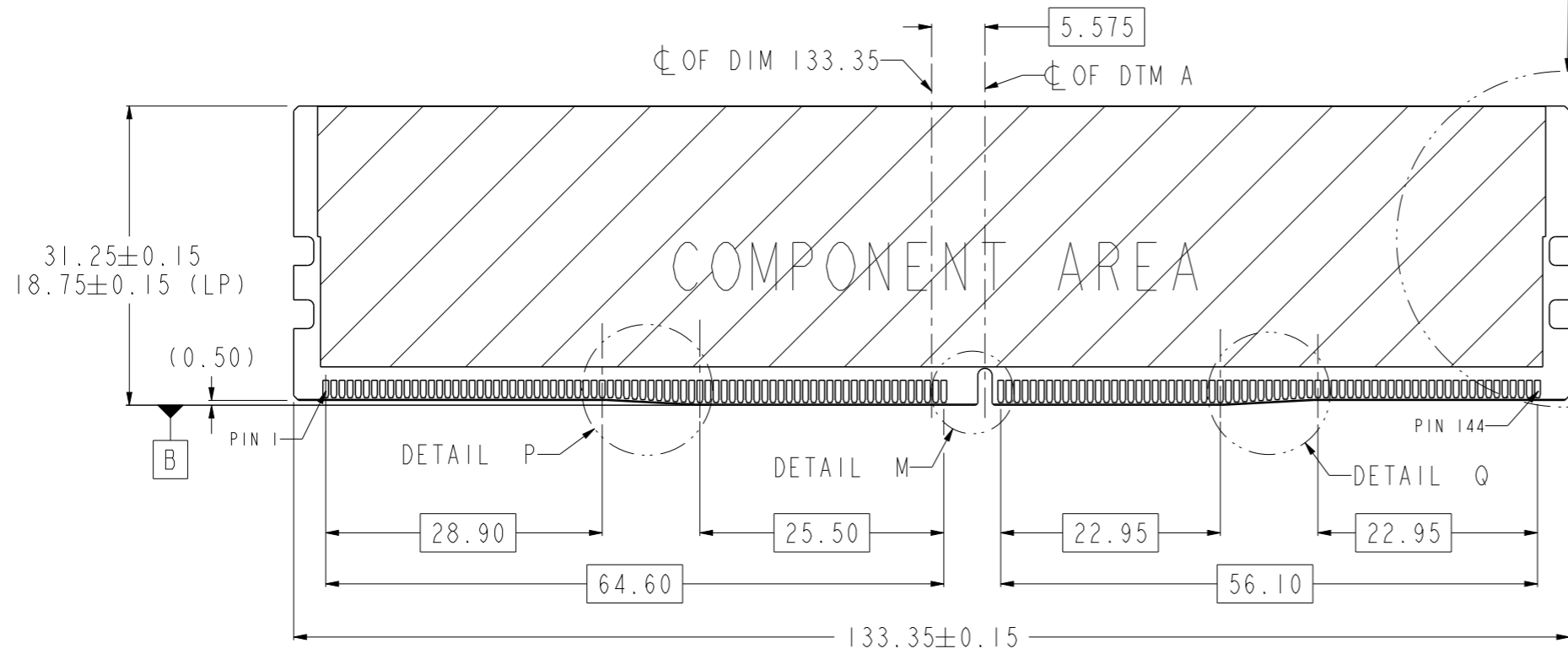
Amphenol
FCi

© 2016 AFCI

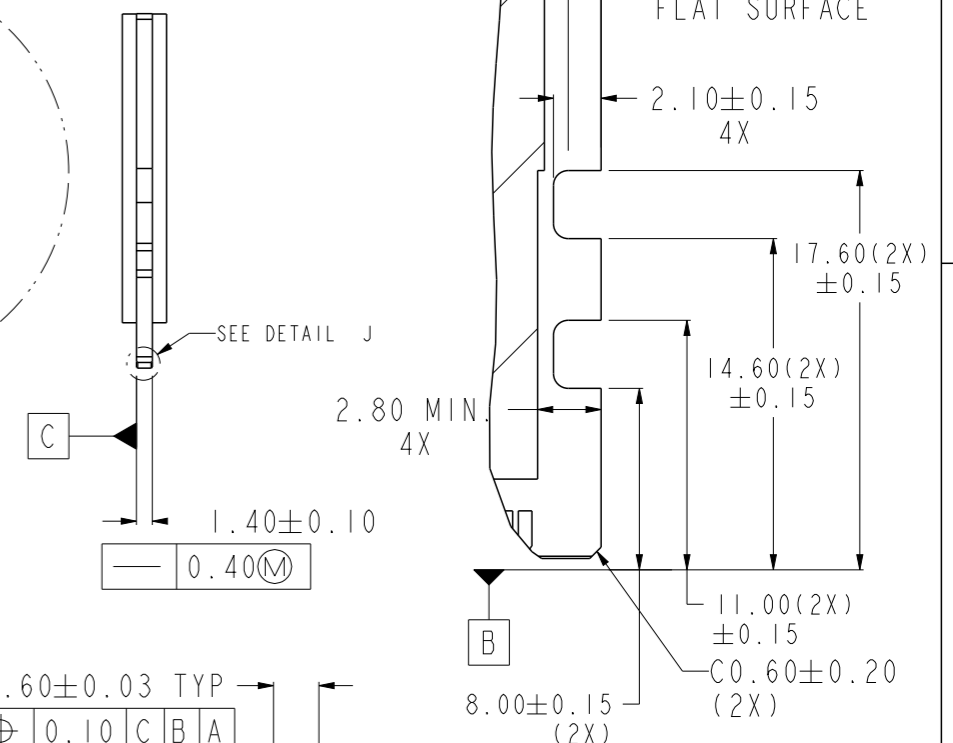


spec ref	-	dr	Eric Jiang	2015/02/28	projection	mm	size	A3	scale	2:1	
tolerance std	ISO 406 ISO 1101	eng	Jeny Ren	2017/04/24		← →	ecn no	ELX-DG-26765-1			
TOLERANCES UNLESS OTHERWISE SPECIFIED		chr	-	-			rel level	Released			
surface	linear	appr	Nickor Zuo	2017/04/26	product family	-	dwg no	10133530		rev	B
ISO 1302	angular	Amphenol FCI		www.fci.com	DDR4 288 PIN DIMM CONNECTOR SMT TERMINATION		cat. no.	-	Product - Customer Drw	sheet 1 of 4	

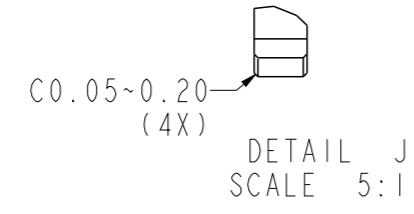
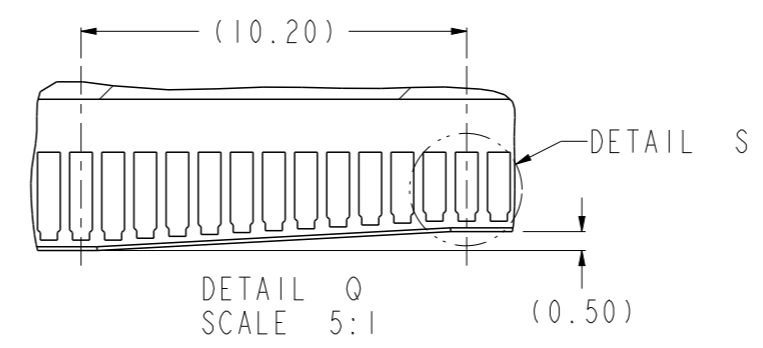
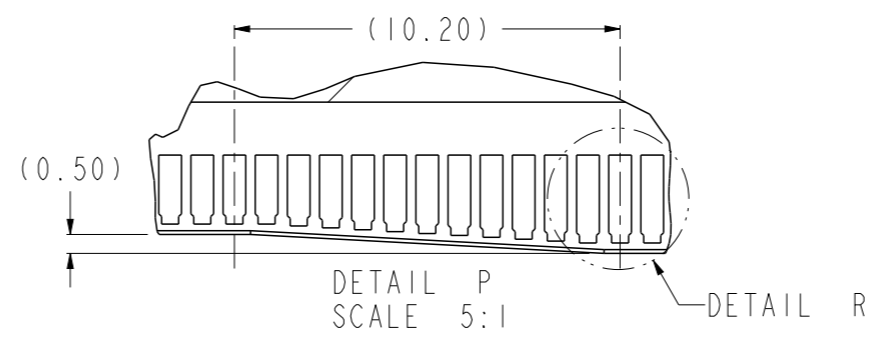
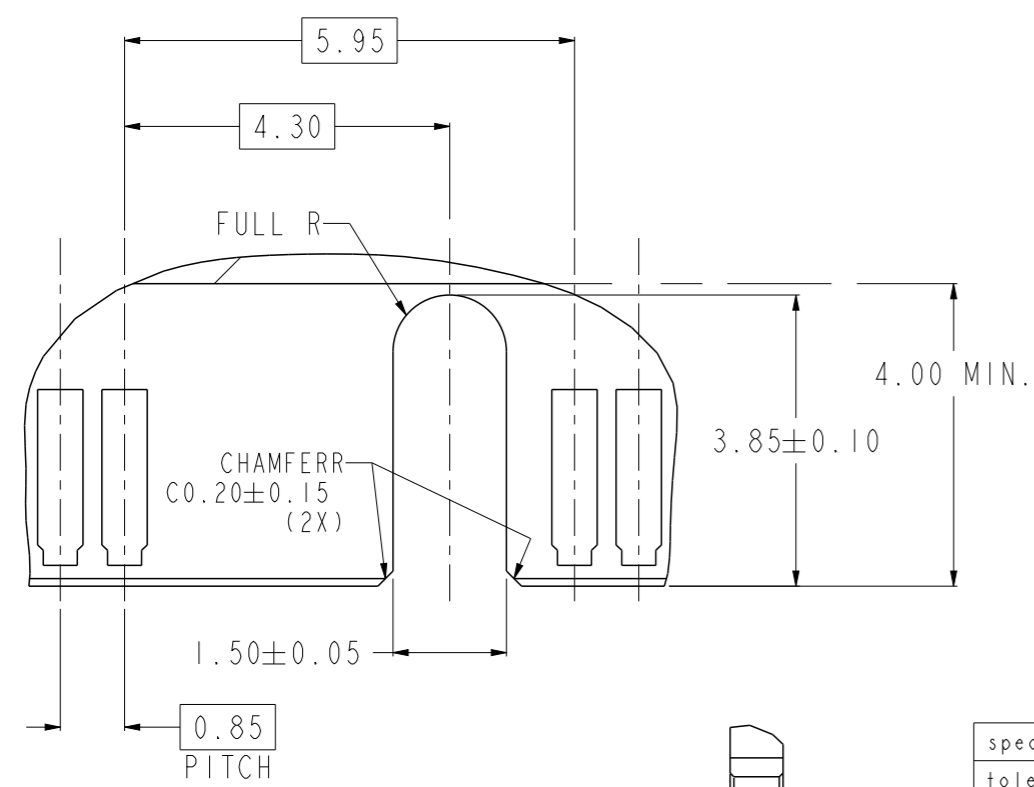
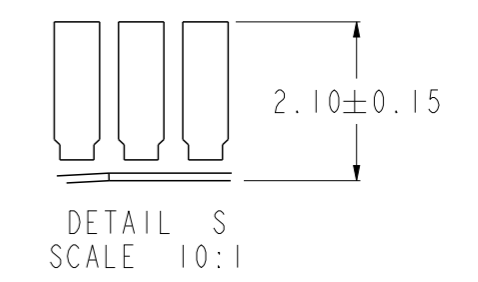
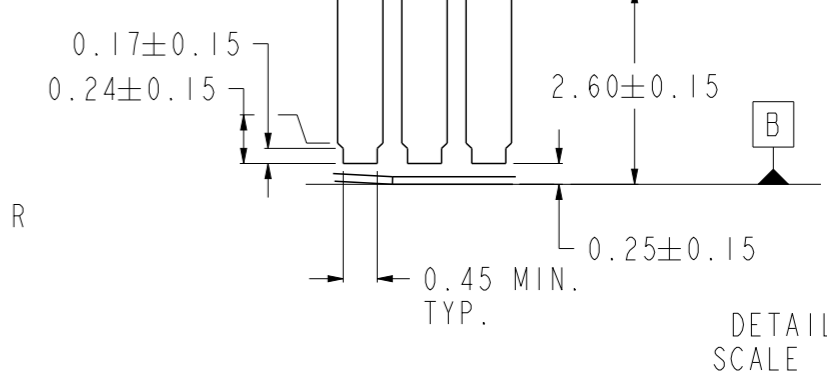
DDR4 MODULE
MORE INFORMATION REFER TO JEDEC MO-309



SEE DETAIL N



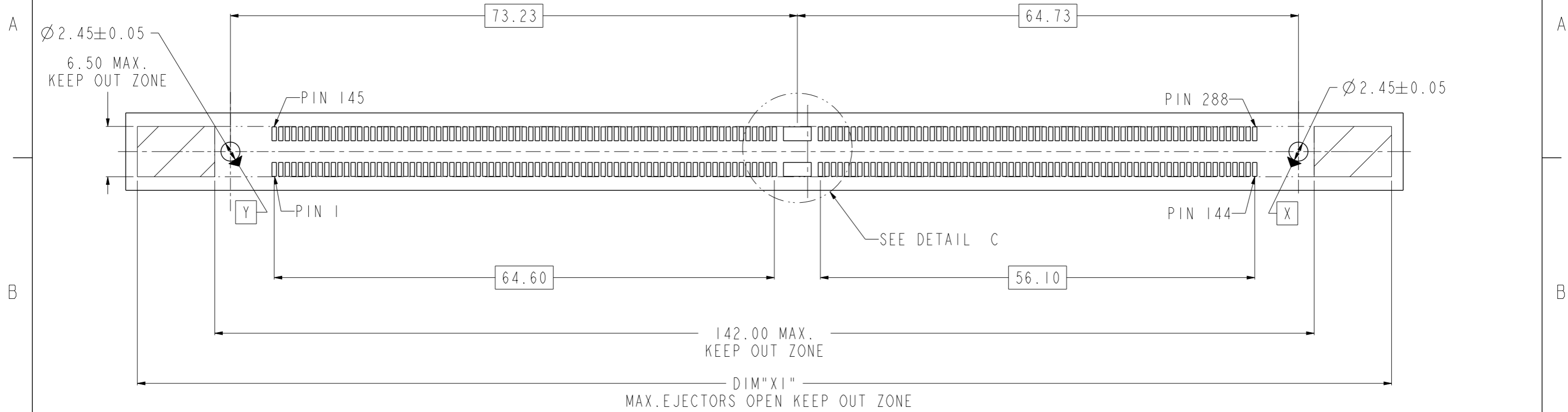
0.60±0.03 TYP				
⊕ 0.10	C	B	A	
⊕ 0.05	C			



spec ref	-	dr	Eric Jiang	2015/02/28	projection	mm	size	A3	scale	3:2
tolerance std	ASME Y14.5	eng	Jeny Ren	2017/04/24			ecn no	ELX-DG-26765-1	rel level	Released
TOLERANCES UNLESS OTHERWISE SPECIFIED		chr	-	apppr						
surface	ISO 1302	linear	0.X	±0.25	Amphenol FCI			dwg no 10133530	rev B	
		angular	0°	±5°	www.fci.com					cat. no. -
sheet 2 of 4										

© 2016 AFCI
Amphenol FCI

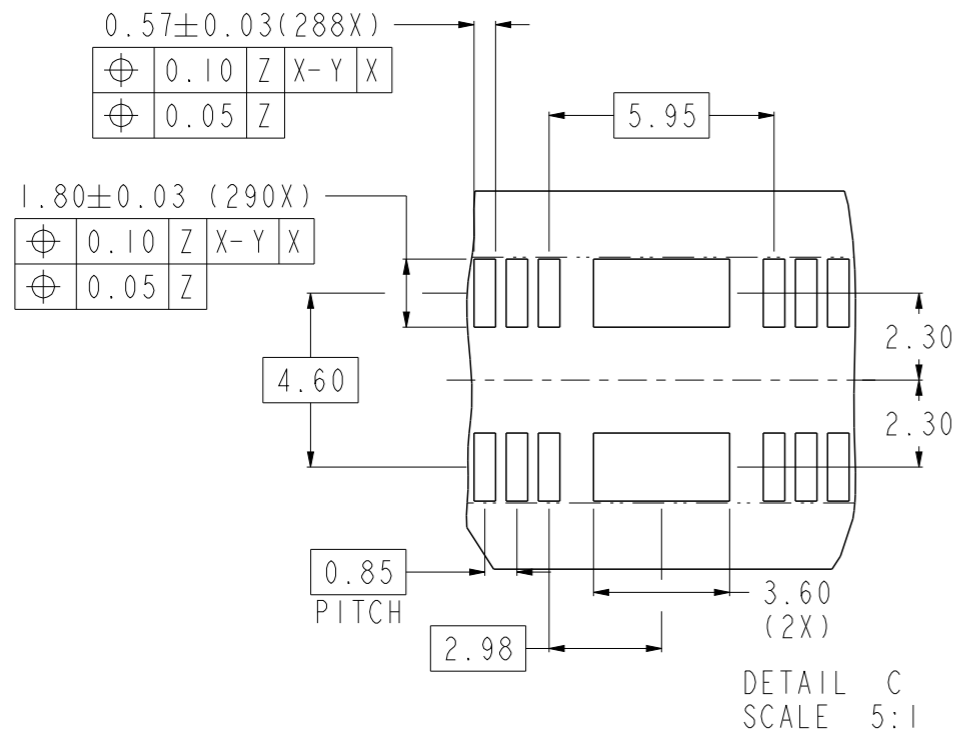
RECOMMENDED PCB LAYOUT
MORE INFORMATION REFER TO JEDEC SO-017



DIM"XI"
MAX.EJECTORS OPEN KEEP OUT ZONE

Amphenol
FCi

© 2016 AFCI



ADDITIONAL NOTES:

1. STENCIL THICKNESS IS RECOMMENDED NOT LESS THAN 0.15mm

spec ref	-	dr	Eric Jiang	2015/02/28	projection	mm	size	A3	scale	2:1
tolerance std	ISO 406 ISO 1101	eng	Jeny Ren	2017/04/24			ecn no	ELX-DG-26765-1		
surface	ISO 1302	chr	-	2017/04/26			product family	-	rel level	Released
linear	0.X ±0.25 0.XX ±0.20 0.XXX ±0.10	appr	Nickor Zuo	2017/04/26	product family		-	rel level	Released	
angular	0° ±5°			DDR4 288 PIN DIMM CONNECTOR SMT TERMINATION		dwg no 10133530	rev B			
www.fci.com		cat. no.	-	Product - Customer Drw			sheet 3 of 4			

PRODUCT PART NUMBER

10133530-□□□□□□□□

ADDITIONAL REQUIREMENTS

2: DEFAULT

HOLD DOWNS CONFIGURATIONS

4: 2 SOLDER TABS AT BOTH END + 1 SMT HOLD DOWN AT MIDDLE

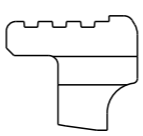
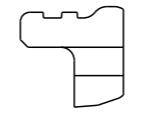
MYLAR AND PACKAGE

- 0. WITH MYLAR(LENGTH=30mm),HARD TRAY PACKAGE
- 2. WITHOUT MYLAR, HARD TRAY PACKAGE

HOUSING COLOR

- 0: NATURAL
- 1: BLACK
- 2: BLUE

EJECTOR TYPE

CODE	COLOR	DIM"X1" MAX.EJECTORS OPEN DISTANCE	DIM"X2" MAX.EJECTORS CLOSE DISTANCE	EJECTOR FIGURE
3	NATURAL	157.00	147.00	
4	BLACK			
H	GREEN			
B	NATURAL	153.00	143.00	
C	BLACK			
G	GREEN			

SMT TAIL PLATING

LF: 100u" MIN. MATTE TIN
TL: 100u" MIN. TIN LEAD

CONTACT AREA PLATING

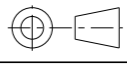

CODE	CONTACT AREA	UNDERPLATING
6	30u" MIN.GOLD	90u" MIN.NICKEL
7	15u" MIN.GOLD	

CONTACTS LUBRICATION

- 0: WITHOUT
- 1: WITH

NOTES:

1. MATERIALS:
HOUSING: HIGH PERFORMANCE RESINS, GLASS FILBER FILLED, UL94 V-0 RATED.
EJECTOR: HIGH PERFORMANCE RESINS, GLASS FILBER FILLED, UL94 V-0 RATED.
TERMINAL: COPPER ALLOY
FORKLOCK: COPPER ALLOY
SOLDER TAB:COPPER ALLOY
2. STENCIL THICKNESS IS NOT LESS THAN 0.15mm.
3. DATE CODE"MMDDYYL",MMDDYY IS ASSEMBLY DATE, L IS FCI PRODUCTION LINE.
4. SPECIFICATION:
PRODUCTION SPECIFICATION: FCI GS-12-1092.
PACKAGE SPECIFICATION: FCI GS-14-2267.
APPLICATION SPECIFICATION: FCI GS-20-0353.
5. LEAD FREE PRODUCT MEETS EUROPEAN UNION DIRECTIVES AND OTHER COUNTRY REGULATIONS AS DESCRIBED IN FCI GS-22-008.
6. THIS PRODUCT WILL WITHSTAND EXPOSURE TO 260°C PEAK TEMPERATURE FOR 10 SECONDS IN REFLOW SOLDERING APPLICATION.

dr	Eric Jiang	2015/02/28		mm	size	A3	scale	1:1	
eng	Jeny Ren	2017/04/24			ecn no	ELX-DG-26765-1			
chr	-	-			rel level	Released			
appr	Nickor Zuo	2017/04/26	product family	-					
		DDR4 288 PIN DIMM CONNECTOR			dwg no	10133530		rev	B
www.fci.com		cat. no.	-	Product - Customer Drw			sheet 4 of 4		



Amphenol FCI

© 2016 AFCI

Mouser Electronics

Authorized Distributor

Click to View Pricing, Inventory, Delivery & Lifecycle Information:

[FCI / Amphenol:](#)

[10133530-2421406LF](#) [10133530-2421306LF](#) [10133530-2421H06LF](#) [10133530-2401417LF](#) [10133530-2402417LF](#)