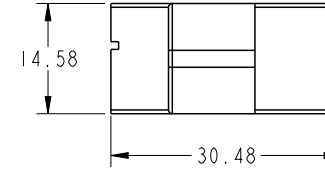
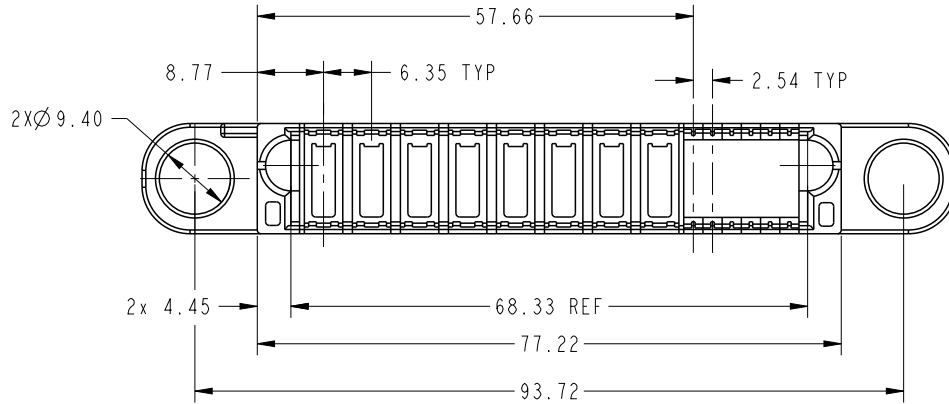
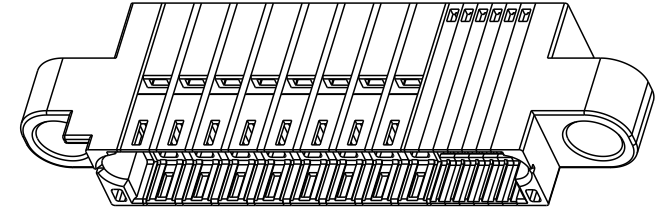
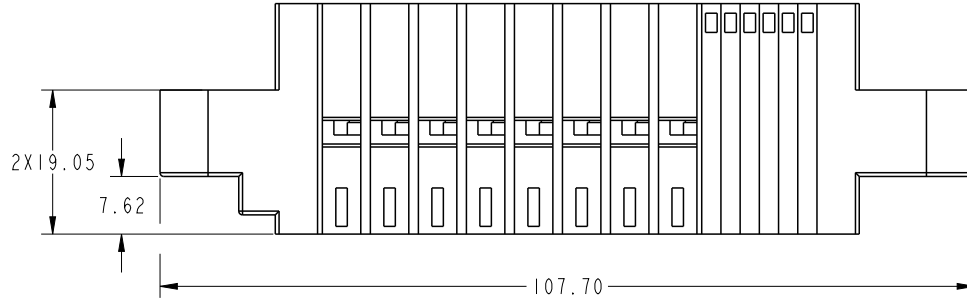


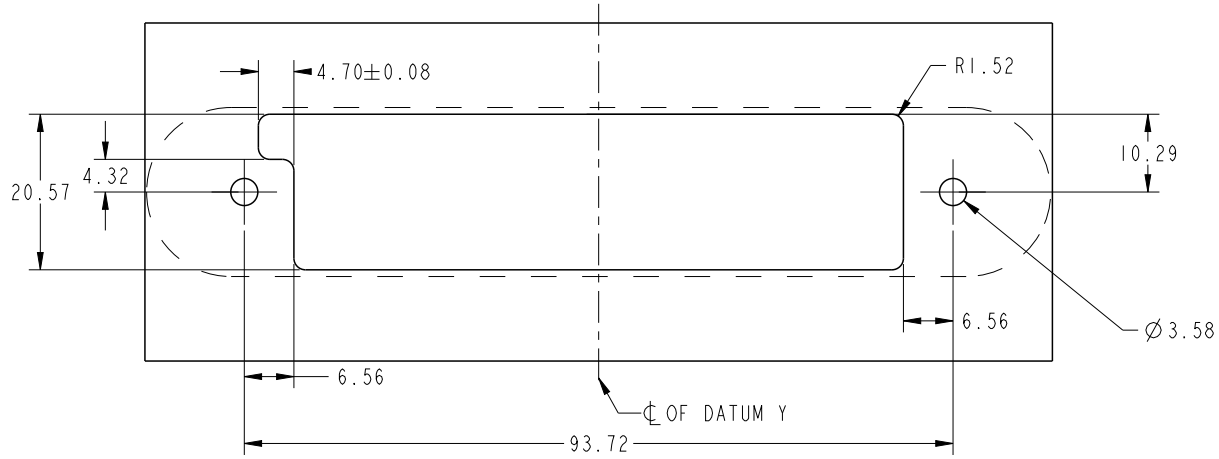
PART NUMBER	ROW	E	POWER								SIGNAL						E	
			1	2	3	4	5	6	7	8	1	2	3	4	5	6		
10129413-018LF	D											X	X	X	X	S	S	
	C		PC	X	PC	X	PC	X	PC	X	PC	X	S	S	S	S		
	B											S	S	S	S	X	X	
	A											S	S	S	S	S	S	

CONTACT WIRE TABLE	
CONTACT PITCH	WIRE GAUGE
6.35	10
2.54	22-26



CONTACT TABLE	
CODE	DESCRIPTION
PC	POWER CONTACT
S	SIGNAL CONTACT
X	OMITTED

spec ref	See Notes		dr	Rainbow Zhan	2016/03/02	projection 	MM ←→	size	A4	scale	1:1
tolerance std	TOLERANCES UNLESS OTHERWISE SPECIFIED		eng	Rainbow Zhan	2016/04/22			ecn no	-		
See Notes			chr	Cheng-Ling Tao	2016/04/21			rel level	Released		
surface	linear	0.X ±0.50 0.XX ±0.25 0.XXX ±0.10	appr	Pei-Ming Zheng	2016/04/22	product family	8P+24S PMT PwrBlade+ Cable Plug Housing	dwg no	10129413-018	rev	A
	angular	0° ±2°	www.fci.com		cat. no.	Product - Customer Drw		sheet 1 of 2			



RECOMMENDED BULKHEAD LAYOUT

NOTE:

1. DIMENSIONS AND TOLERANCES ARE IN ACCORDANCE WITH ASME Y14.5M, 1994 UNLESS OTHERWISE SPECIFIED.
2. MATERIAL: HIGH TEMPERATURE THERMOPLASTIC UL94 V-0.
3. BULKHEAD THICKNESS RANGE: 0.79 - 2.54
4. APPLICABLE COMPONENTS
  - a) APPLICABLE POWER CRIMP CONTACT: 10134849-\*
  - b) APPLICABLE CONTACT SECONDARY LOCK: 10073097-DGC004LF
  - c) APPLICABLE SIGNAL CONTACT: 76808-DGC\*\*\*LF
  - d) APPLICABLE SIGNAL CONTACT IMLA: 10097392-DGC001LF (USAGE OF IMLA: SIGNAL PIN=1:4)
5. PRODUCT SPEC: GS-12-1267
6. APPLICATION SPEC: GS-20-0426
7. CONTACT CRIMPING APPLICATION SPEC: GS-20-0435

spec ref	See Notes			dr	Rainbow Zhan	2016/03/02	projection 	MM 	size	A4	scale	1:1	
tolerance std	TOLERANCES UNLESS OTHERWISE SPECIFIED			eng	Rainbow Zhan	2016/04/22			ecn no	-			
See Notes				chr	Cheng-Ling Tao	2016/04/21				rel level	Released		
				appr	Pei-Ming Zheng	2016/04/22			product family				
surface	linear	0.X	±0.50	Amphenol FCi www.fci.com	part no			8P+24S PMT PwrBlade+ Cable Plug Housing	dwg no 10129413-018	rev		A	
		0.XX	±0.25		cat. no.					Product - Customer Drw		sheet 2 of 2	
		0.XXX	±0.10										
	angular	0°	±2°										

# Mouser Electronics

Authorized Distributor

Click to View Pricing, Inventory, Delivery & Lifecycle Information:

[FCI / Amphenol:](#)

[10129413-018LF](#)