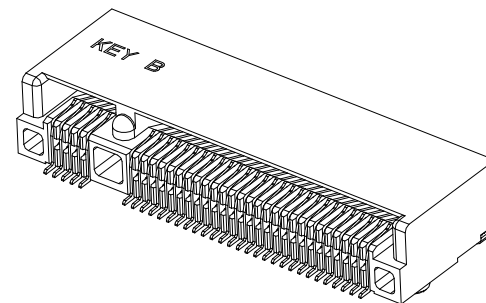
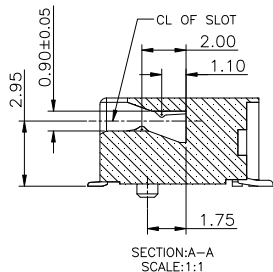
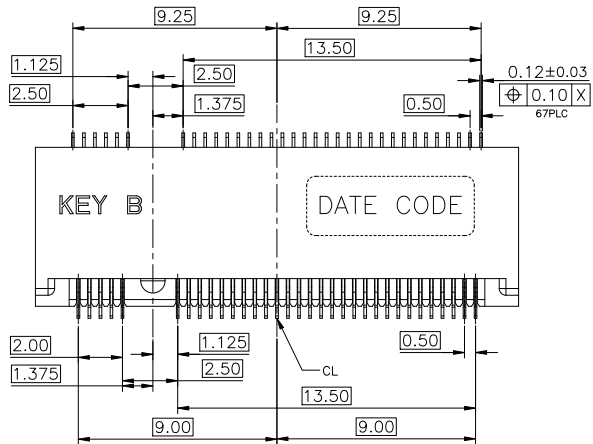


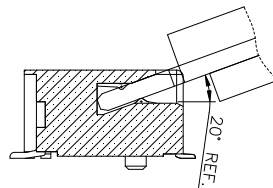
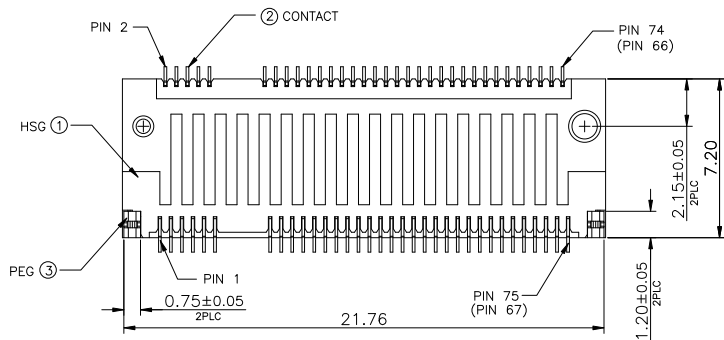
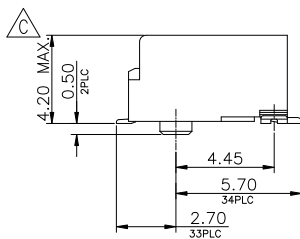
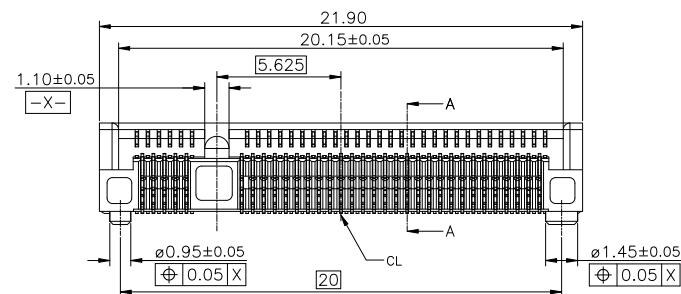
HF
Halogen Free

RF



NOTES:

1. MATERIAL:
 - 1.1 HOUSING:HIGH TEMPERATURE THERMOPLASTIC,UL94V-0,COLOR:BLACK.
 - 1.2. CONTACT:COPPER ALLOY.
 - 1.3. SOLDER PEG:STAINLESS STEEL.
2. FINISH:
 - 2.1 CONTACT:
 - UNDERPLATING NICKEL 50u" MIN OVERALL
 - MATING AREA:GOLD PLATING,THICKNESS SEE TABLE
 - SOLDER AREA:GOLD FLASH 1u"MIN.
 - 2.2 SOLDER PEG:
 - UNDERPLATING NICKEL 50u" MIN OVERALL
 - 80u"MIN MATTE TIN ON SURFACE
- 3.DATE CODE : YYWDX
 - YY: YEAR (09: 2009)
 - WW: WEEK (25: THE 25TH WEEK)
 - D: DAY (1~7: SUNDAY~SATURDAY)
 - L: LINE NUMBER OF ASSEMBLY (A: LINE A)
 - X: D OR N (D: DAY; N: NIGHT)
- 4.PRODUCT SPECIFICATION SEE FCI GS-12-1195
- 5.PART NUMBER DESCRIPTION:
 - 10128793-00XRFL



- LF:LEAD FREE & RoHS COMPLIANCE
- PACKAGE CODE:
 - R: TAPE & REEL PACKING
- PLATING CODE:
 - 1: GOLD FLASH ON CONTACT AREA
 - 4: 15u"Min GOLD ON CONTACT AREA
 - 5: 30u"Min GOLD ON CONTACT AREA

MATING ANGLE ILLUSTRATION

mat'l. code		surface	tolerance	projection	product family
ltr ecn no dr date		tolerances unless otherwise specified		mm	title
A		BF	2013-04-18		
B	ELX-T-19318	TAI	2014-11-10	.X ±0.3	
C	ELX-T-20858	TAI	2015-05-11	.XX ±0.25	
				.XXX ±0.05	scale
		dr	BEER FU	2013-05-02	dwg no sheet 1 of 3 size 10128793 A4 type Customer Drawing
		enr	BEER FU	2013-05-02	
		chr	BEER FU	2013-05-02	
		appd	BEER FU	2013-05-02	
sheet index	revision sheet	C	C	C	
		1	2	3	

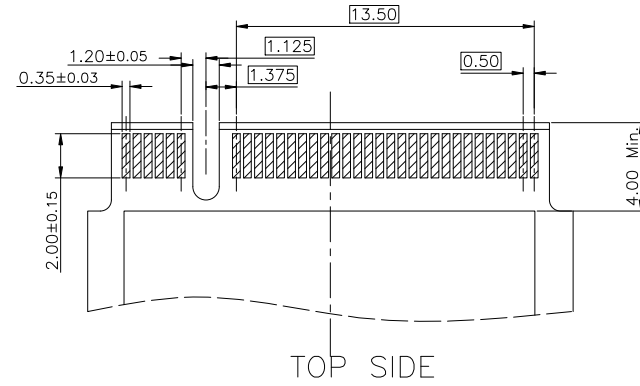
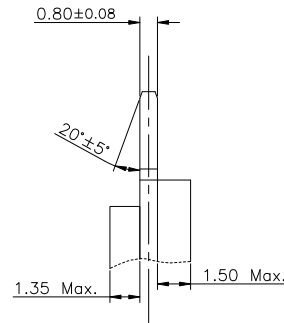
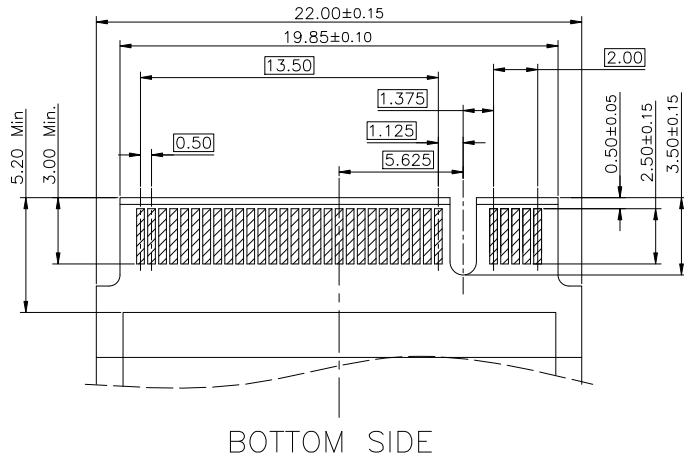
30u" Au	10128793-005RLF
15u" Au	10128793-004RLF
GOLD FLASH	10128793-001RLF
CONTACT AREA	FCI P/N



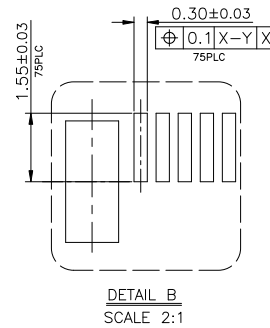
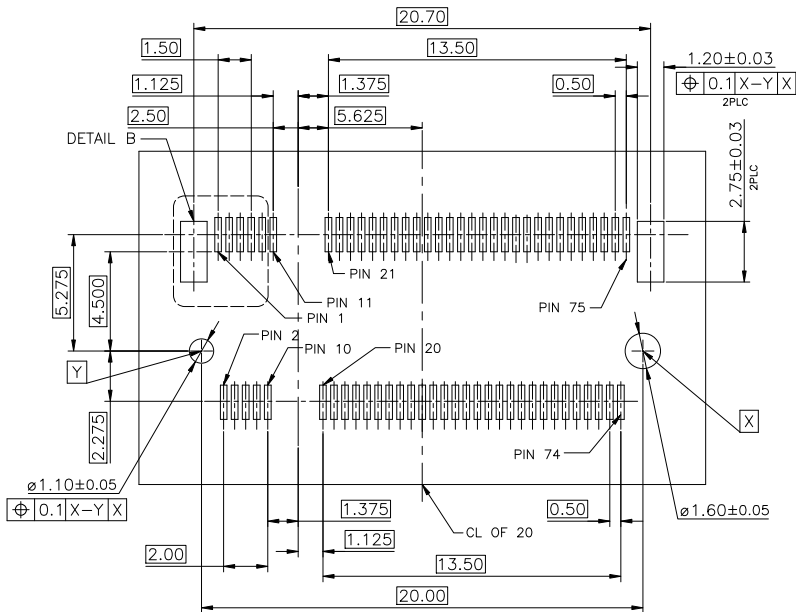
HF
Halogen Free



PLUG PCB



RECOMMENDED PCB LAYOUT



dwg no	sheet 2 of 3	size
10128793		A4
type	Customer Drawing	

sheet index	revision sheet	C 1	C 2	C 3															
-------------	----------------	-----	-----	-----	--	--	--	--	--	--	--	--	--	--	--	--	--	--	--

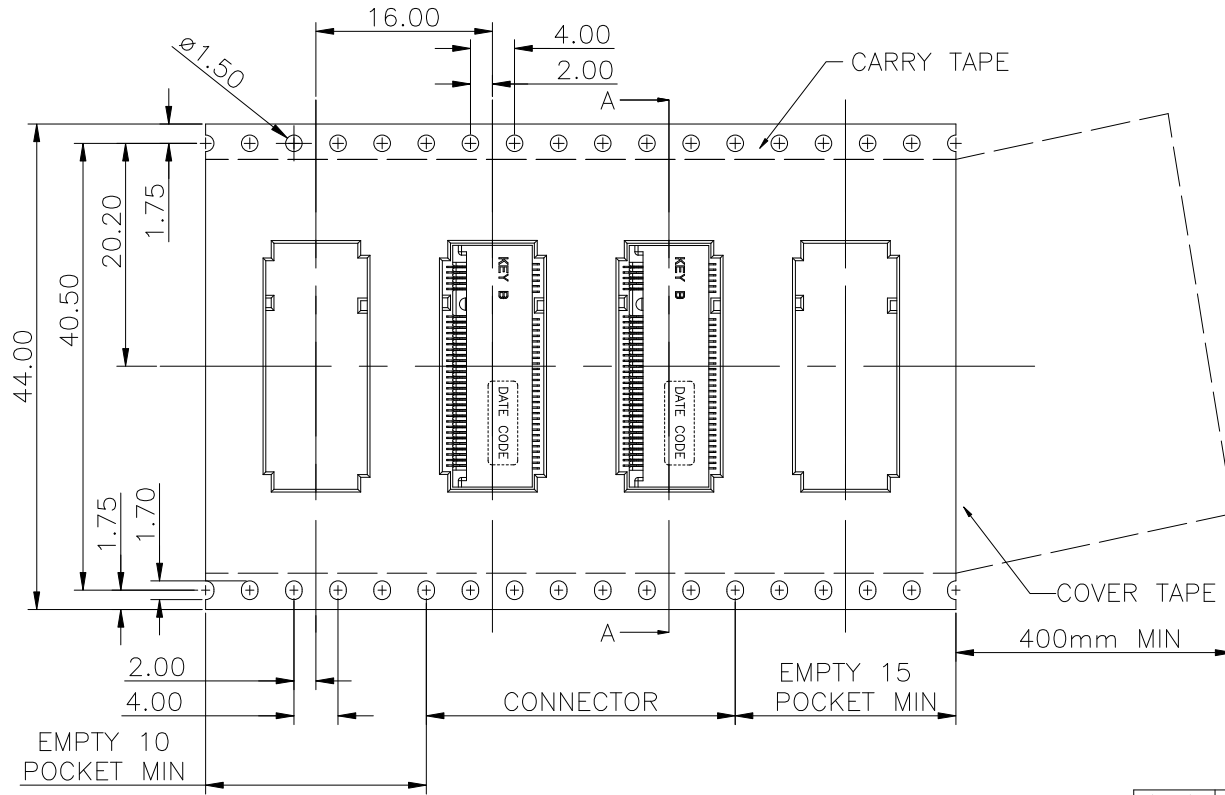
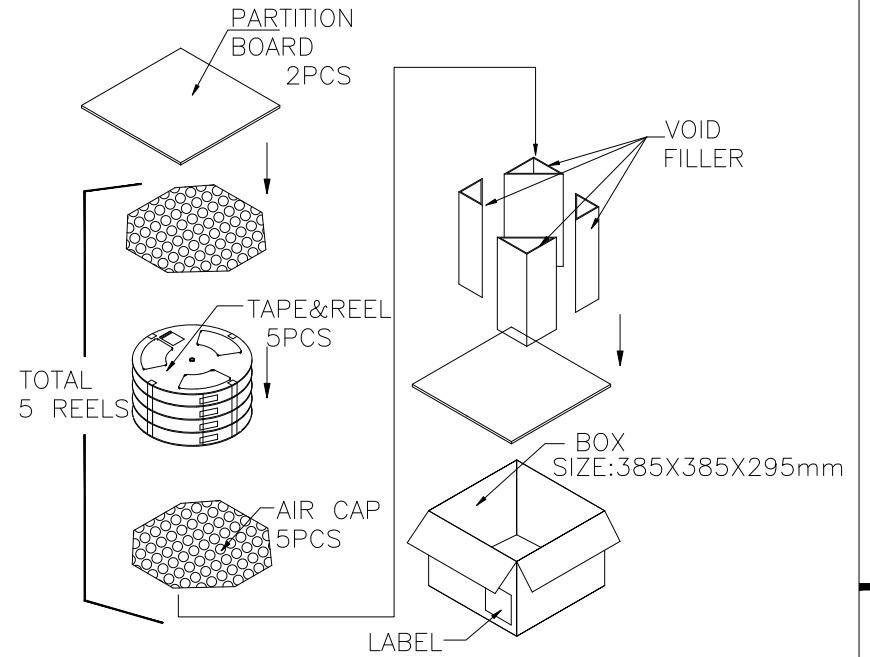
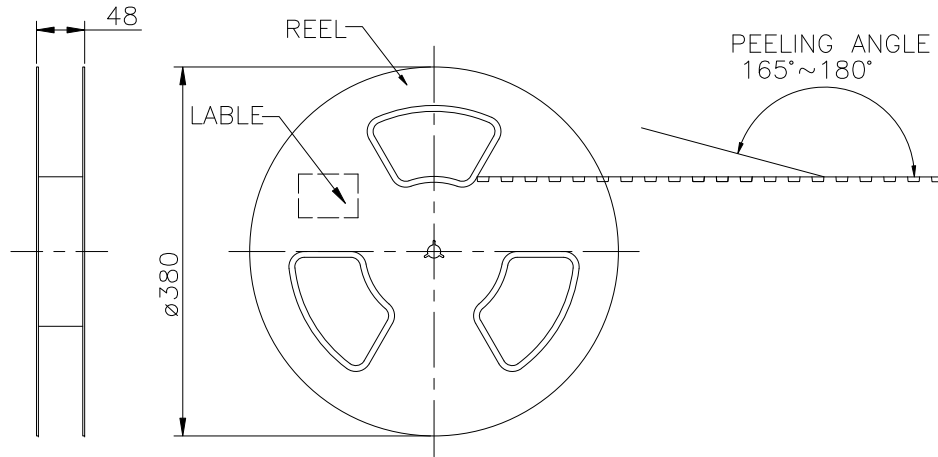
A

B

HF
Halogen Free



FEEDING DIRECTION →



1100	5	5500	10.33Kg	5.53Kg
PCS/TAPE	REELS/BOX	PCS/BOX	GROSS WEIGHT	NET WEIGHT

	dwg no	sheet 3 of 3	size
	10128793		A4
	type Customer Drawing		

sheet index	revision sheet	C	C	C															
		1	2	3															

Mouser Electronics

Authorized Distributor

Click to View Pricing, Inventory, Delivery & Lifecycle Information:

[FCI / Amphenol:](#)

[10128793-001RLF](#) [10128793-004RLF](#) [10128793-005RLF](#)