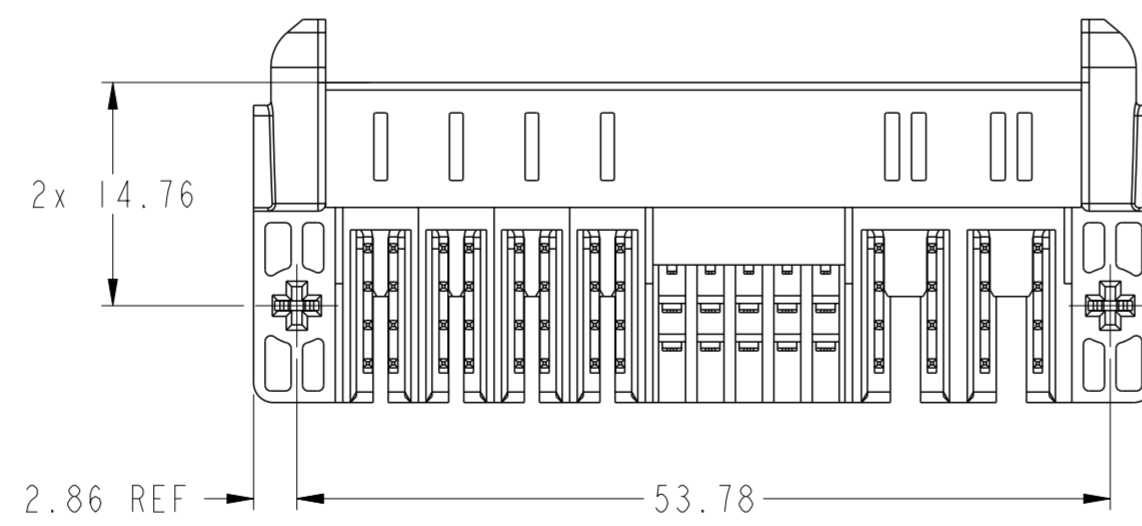
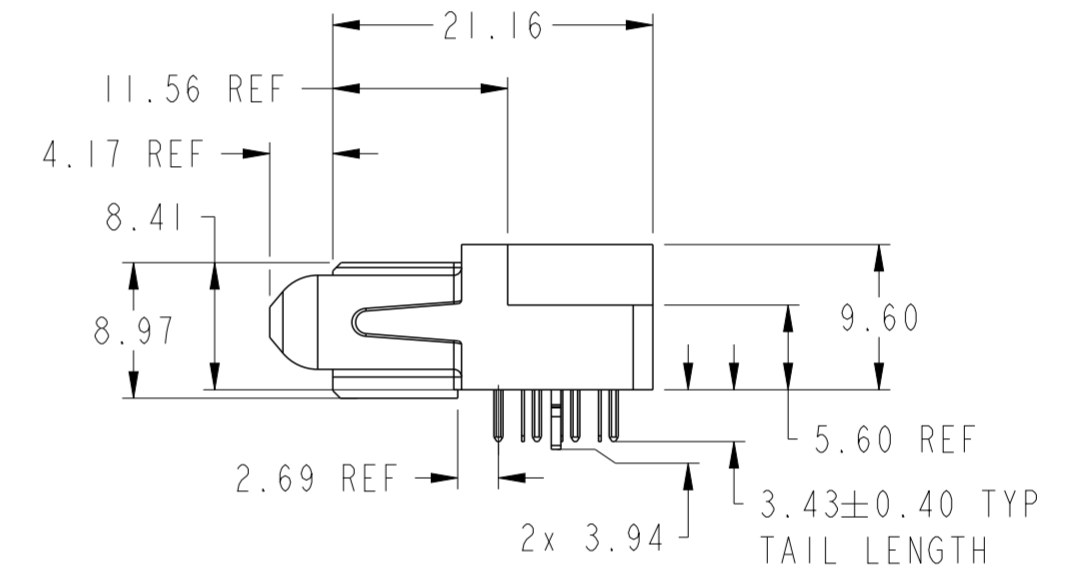
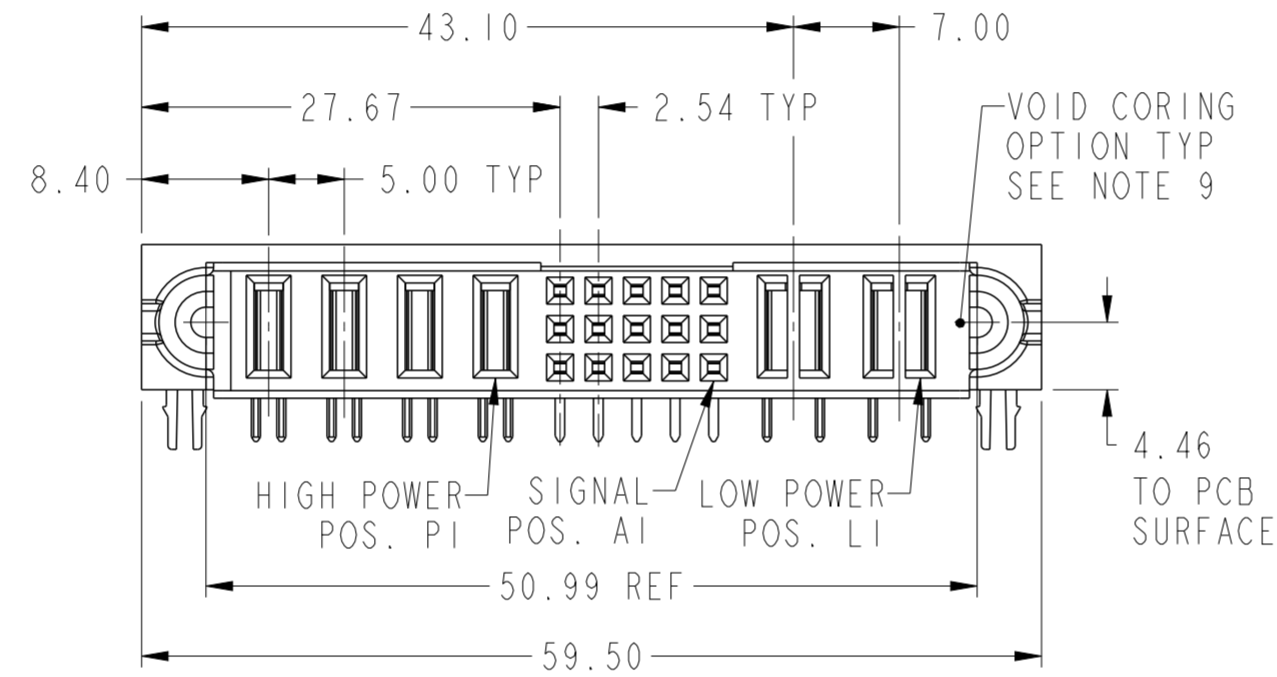
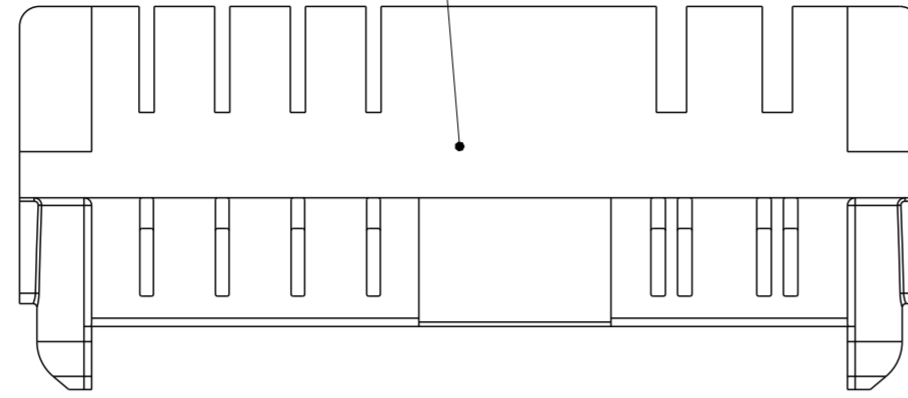


PRODUCT NUMBER
10127401-01H2410LF

SEE NOTE 1



spec ref	-	dr	Kaka Zhang	2015/06/23	projection	mm	size	A2	scale	2:1												
tolerance std	ASME Y14.5	eng	De-Ming Lu	2015/12/29		mm	ecn no	-	rel level	Released												
TOLERANCES UNLESS OTHERWISE SPECIFIED		chr	Fancy Zhang	2015/12/29																		
surface	<table border="1"> <tr> <td>linear</td> <td>0.X</td> <td>±0.5</td> </tr> <tr> <td></td> <td>0.XX</td> <td>±0.25</td> </tr> <tr> <td></td> <td>0.XXX</td> <td>±0.130</td> </tr> <tr> <td>angular</td> <td>0°</td> <td>±2°</td> </tr> </table>	linear	0.X	±0.5		0.XX	±0.25		0.XXX	±0.130	angular	0°	±2°	appr	Pei-Ming Zheng	2015/12/29	product family	PwrBlade ULTRA	rel level	Released	rev	A
linear	0.X	±0.5																				
	0.XX	±0.25																				
	0.XXX	±0.130																				
angular	0°	±2°																				
www.fci.com				4LP+15S+4HP, SOLDER-TO-BOARD R/A RECEPTACLE, PwrBlade ULTRA		cat. no.	-	Product - Customer Drw	sheet 1 of 3													

Copyright FCI.
FCI

PRODUCT NO.

ROWS

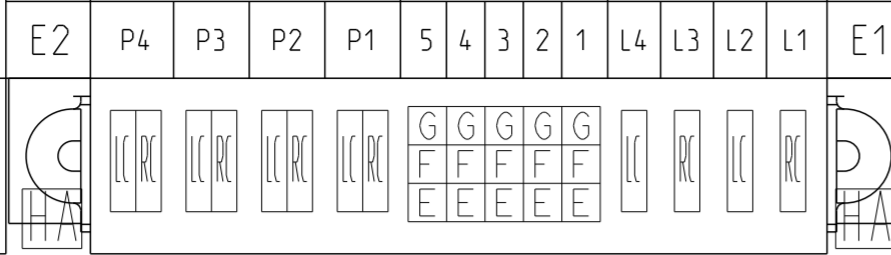
10127401-01H2410LF

C
B
A

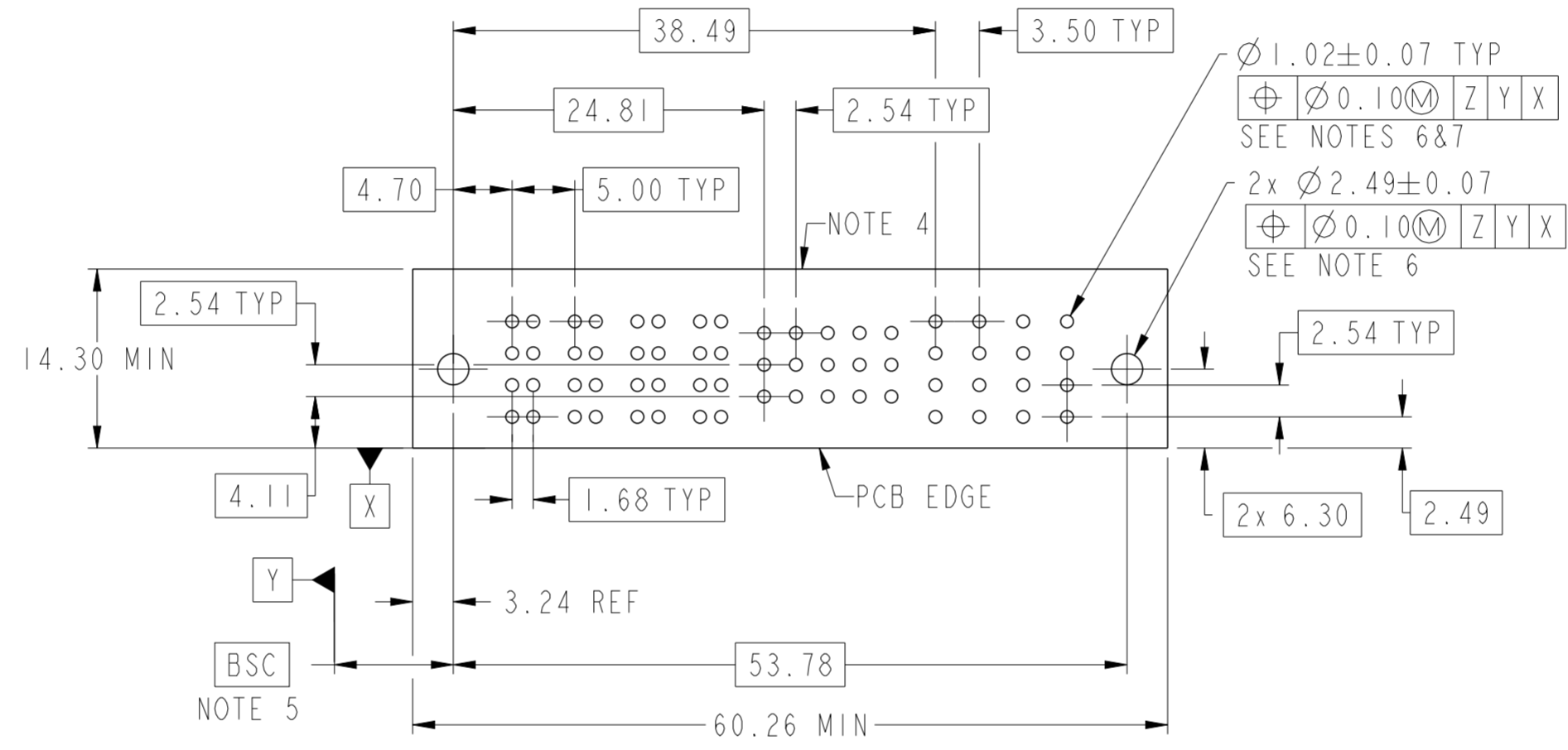
HIGH POWER

SIGNAL

LOW POWER



CODE	DESCRIPTION
RC	RIGHT POWER CONTACT
LC	LEFT POWER CONTACT
E	SIGNAL CONTACT
F	SIGNAL CONTACT
G	SIGNAL CONTACT
HA	HOLD DOWN



Copyright FCI. FCI

spec ref	-	dr	Kaka Zhang	2015/06/23	projection	mm	size	A2	scale	2:1
tolerance std	ASME Y14.5	eng	De-Ming Lu	2015/12/29			ecn no	-	rel level	Released
TOLERANCES UNLESS OTHERWISE SPECIFIED		chr	Fancy Zhang	2015/12/29						
		appr	Pei-Ming Zheng	2015/12/29						
surface	linear	0.X	±0.5		FCI 4LP+15S+4HP, SOLDER-TO-BOARD R/A RECEPTACLE, PwrBlade ULTRA	cat. no.	Product - Customer Drw	sheet 2 of 3	rev A	
	linear	0.XX	±0.25							
	linear	0.XXX	±0.130							
	angular	0°	±2°	www.fci.com						

PDS: Rev :A

STATUS:Released

Printed: Dec 30, 2015

PRODUCT NUMBER

10127401-01H2410LF

NOTES:

1. "FCI", PART NUMBER AND DATE CODE TO BE MARKED ON THIS SURFACE. THE P/N CAN BE OMITTED IF THERE IS NOT ENOUGH SPACE ON THIS SURFACE.
2. MATERIALS:
HOUSING: GLASS FILLED WITH HIGH TEMP POLYAMIDE, UL94V-0.
POWER CONTACTS: COPPER ALLOY.
SIGNAL CONTACTS: COPPER ALLOY.
HOLD DOWN: COPPER ALLOY.
3. PLATING SPECIFICATION: FCI 10135186.
4. DENOTES CONNECTOR KEEP OUT ZONE.
5. DATUM AND BASIC DIMENSION ARE ESTABLISHED BY CUSTOMER.
6. ALL HOLE DIAMETERS ARE FINISHED HOLE SIZES.
7. 1.150±0.025mm DRILLED HOLE PLATED WITH 7.62µm MIN Sn OVER 25.4µm-76.2µm Cu PLATING TO ACHIEVE A 1.02±0.07mm FINISHED HOLE.
8. PRODUCT SPECIFICATION: FCI GS-12-1176.
APPLICATION SPECIFICATION: FCI GS-20-0389.
PRODUCT PACKAGE SPECIFICATION: FCI GS-14-2354.
9. THE VOID CORING BETWEEN POWER MODULES, SIGNAL MODULES AND END MODULES ARE OPTIONAL AND THE SHAPE MAY BE DIFFERENT TO OPTIMIZE THE MOLDING PROCESS. THE VOID CORING WILL NOT EFFECT THE PRODUCT FUNCTION.



Copyright FCI.

spec ref	-	dr	Kaka Zhang	2015/06/23	projection	mm	size	A2	scale	2:1
tolerance std	-	eng	De-Ming Lu	2015/12/29			ecn no	-	rel level	Released
ASME Y14.5	TOLERANCES UNLESS OTHERWISE SPECIFIED	chr	Fancy Zhang	2015/12/29						
		appr	Pei-Ming Zheng	2015/12/29						
surface	✓	product family	PwrBlade ULTRA		title	4LP+15S+4HP, SOLDER-TO-BOARD		rev	A	
ASME Y14.5	linear	0.X	±0.5		cat. no.	-	Product - Customer Drw	sheet 3 of 3		
	0.XX	±0.25	angular		0°	±2°	www.fci.com	div no	10127401-01H2410	
	0.XXX	±0.130								

Mouser Electronics

Authorized Distributor

Click to View Pricing, Inventory, Delivery & Lifecycle Information:

[FCI / Amphenol:](#)

[10127401-01H2410LF](#)