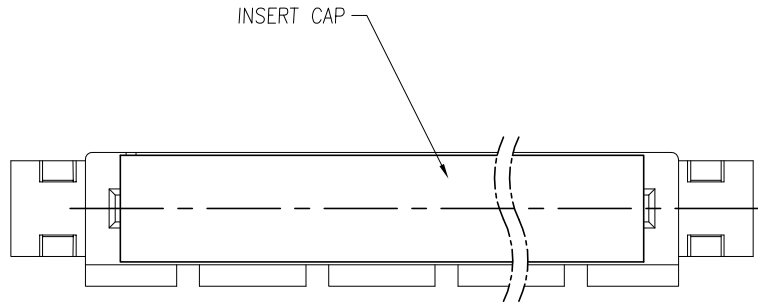
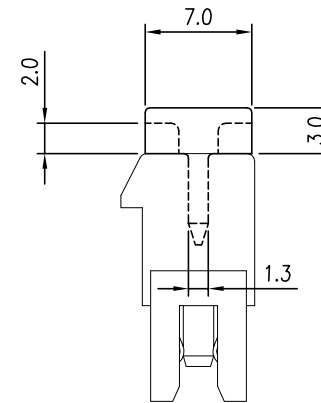
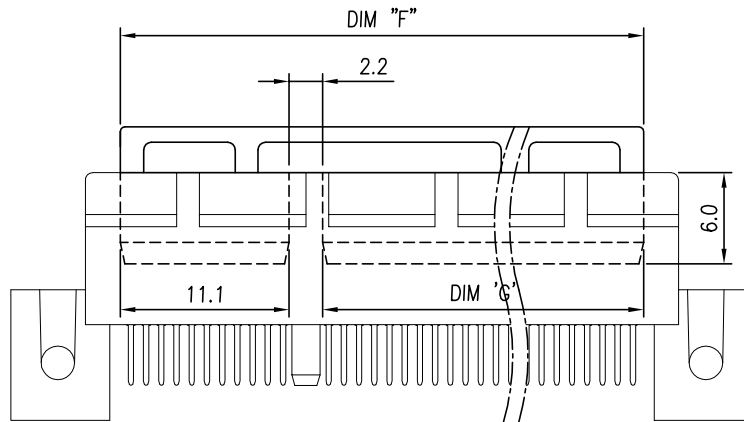


NOTES:

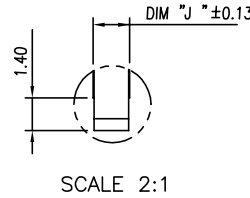
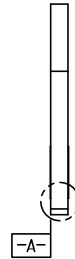
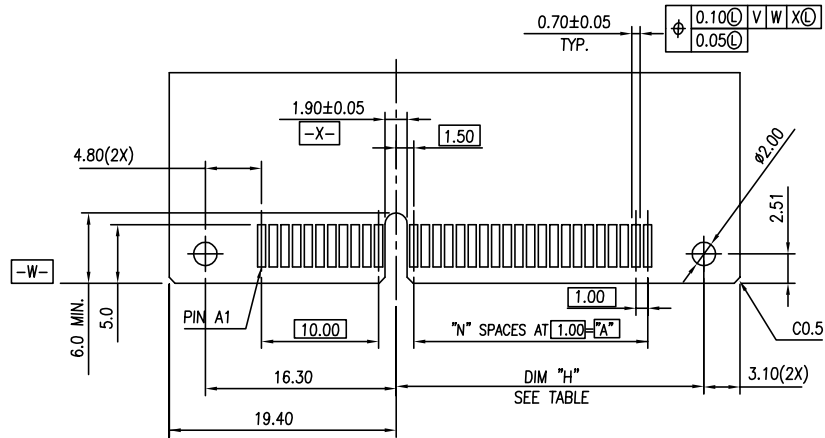
- MATERIAL:
INSERT CAP: THERMOPLASTIC, HIGH TEMP.,
UL94V-0; BLACK COLOR.
- THE INSERT CAP SHALL BE REMOVED OUT
AFTER RE-FLOWED PROCESS.



DIMENSIONS		
POSITION	F	G
36	20.4	7.1
64	34.4	21.1
98	51.4	38.1
164	84.4	71.1

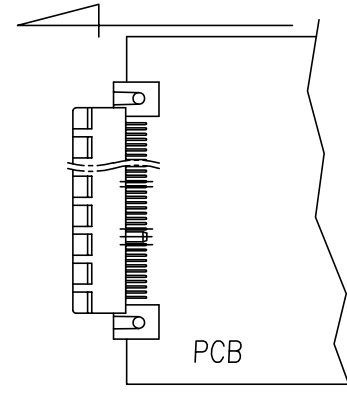


mat'l. code		-		surface		- ✓		tolerance		ASME_Y14.5		projection		product family		PCI_EXPRESS	
ltr		ecn no		dr		date		tolerances unless otherwise specified		angles		MM		title		PCI_EXPRESS_CARD_EDGE_GEN3	
								±2'		.02±0.30		scale N/A		STRADDLE_MOUNT_ASS'Y		5	
								±2'		.00±0.20		Amphenol FCI		dwg no		sheet 2 of 4 size	
								±2'		.000±0.10				10069690		A4	
								dr		ZHENHUA_LIU				type		CUSTOMER Drawing	
								enfr		ZHENHUA_LIU							
								chr		STONE_LI							
								appd		PM_ZHENG							
sheet		revision		E													
index		sheet															



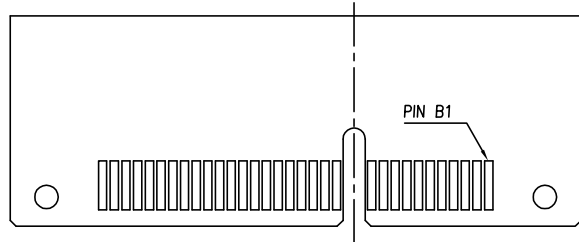
SCALE 2:1

REFLOW DIRECTION



PCB

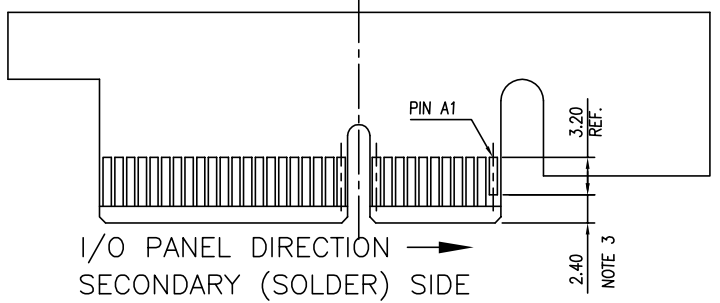
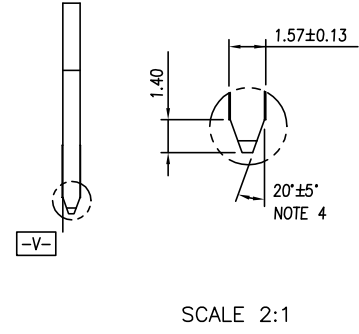
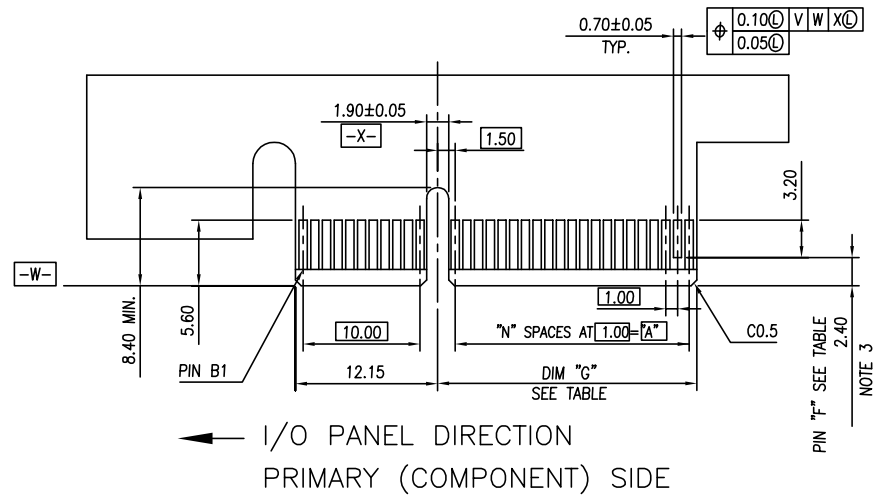
RECOMMEND OF REFLOW DIRECTION



RECOMMEND OF PCB DIMENSIONS

#	POS REF.	N	DIM "H"
36	6	12.30	
64	20	26.30	
98	37	43.30	
164	70	76.30	

mat'l. code		-		surface		- ✓		tolerance		ASME_Y14.5		projection		product family		PCI_EXPRESS	
lfr		ecn no		dr		date		tolerances unless otherwise specified		MM		title		PCI_EXPRESS_CARD_EDGE_GEN3		STRADDLE_MOUNT_ASS'Y	
								angles		.0±0.20		scale N/A		dwg no		sheet 3 of 4 size	
								±2'		.00±0.13		Amphenol FCI		10069690		A4	
								dr		ZHENHUA_LIU		2016-03-25		type		CUSTOMER Drawing	
								enfr		ZHENHUA_LIU		2016-03-25					
								chr		STONE_LI		2016-03-25					
								appd		PM_ZHENG		2016-03-25					
sheet index		revision sheet		E													



ADD-IN CARD EDGE-FINGER DIMENSIONS

#	POS	REF.	N	DIM "G"±0.20	"F"
36	6		8.15	B17	
64	20		22.15	B31	
98	37		39.15	B48	
164	70		72.15	BB1	

mat'l. code		-		surface		- ✓		tolerance		ASME_Y14.5		projection		product family		PCI_EXPRESS	
lfr		ecn no		dr		date		tolerances unless otherwise specified		angles		MM		title		PCI_EXPRESS_CARD_EDGE_GEN3 STRADDLE_MOUNT_ASS'Y	
								±2'		.02±0.20		scale N/A		dwg no		sheet 4 of 4 size	
				dr		ZHENHUA_LIU		2016-03-25		.00±0.13		Amphenol FCI		10069690		A4	
				enfr		ZHENHUA_LIU		2016-03-25		.000±0.05				type		CUSTOMER Drawing	
				chr		STONE_LI		2016-03-25									
				appd		PM_ZHENG		2016-03-25									
sheet index		revision		E													

Mouser Electronics

Authorized Distributor

Click to View Pricing, Inventory, Delivery & Lifecycle Information:

[FCI / Amphenol:](#)

[10069690-10022TLF](#)