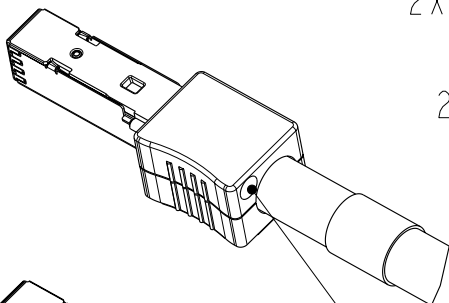
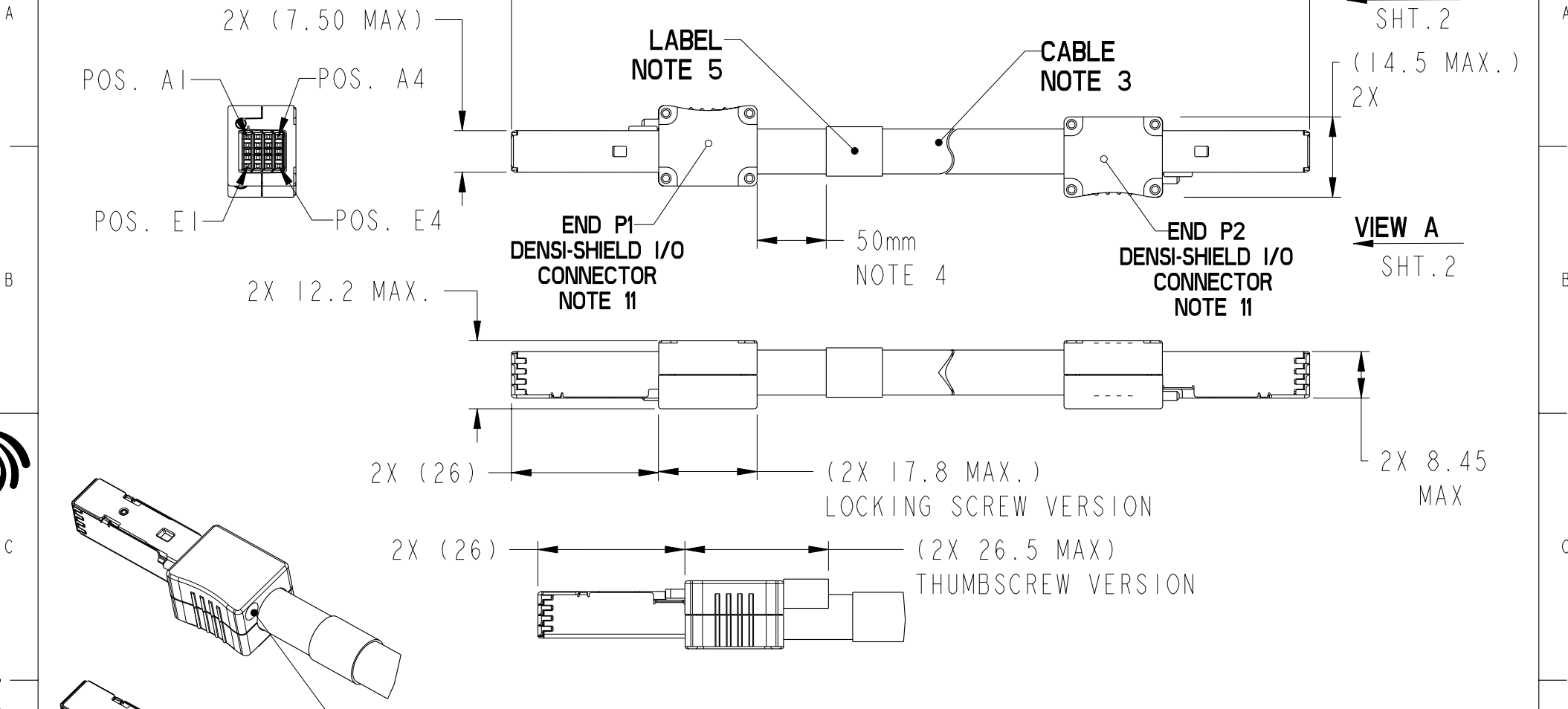
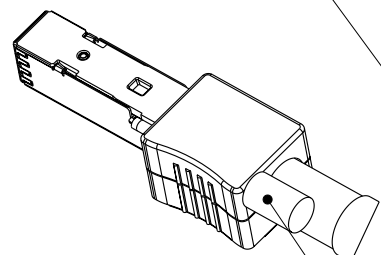


PRODUCT NUMBER
SEE NOTE 3

10054999-XXXXXXULF



LOCKING SCREW VERSION
SEE NOTE 3



THUMBSCREW VERSION
SEE NOTE 3

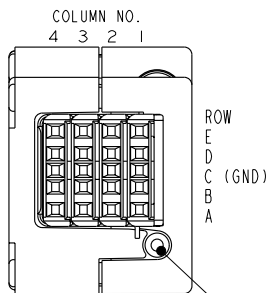


Copyright FCI.

| rev | ecn no | dr | date |
|-----|----------|-----|------------|
| L | V09-0053 | DAI | 2009-03-24 |
| - | - | - | - |
| F | M07-0501 | AGS | 26/11/07 |
| G | M08-0090 | AGS | 03/27/08 |
| H | M08-0164 | AGS | 05/06/08 |
| J | M08-0203 | AGS | 05/09/08 |
| K | M08-0320 | AGS | 11/05/08 |

| | | | | | | |
|---------------------------------------|-----------|------------|-------------------------|-----------------|--------------|--------------|
| www.fciconnect.com | | | surface - ✓ | tolerance std - | projection | MM |
| TOLERANCES UNLESS OTHERWISE SPECIFIED | | | ANGULAR | LINEAR | size A4 | Scale 1:2 |
| Dr | D. INGRAM | 2009-03-24 | 0° | ±2° | ECN V09-0053 | |
| Eng | J. DUARTE | 2009-03-24 | Product family | | C&A | Spec ref - |
| Chr | J. DUARTE | 2009-03-24 | CABLE ASSEMBLY | | 10054999 | Rev. L |
| Appr | J. DUARTE | 2009-03-24 | DENSI-SHIELD I/O 8 PAIR | | CUSTOMER | sheet 1 of 4 |
| catalog no | | | | | | |

PRODUCT NUMBER
SEE NOTE 3
10054999-XXXXXXULF



VIEW A
SCALE 2:1
VIEWED FROM
MATING SIDE

LOCKING SCREW
NOTE 14

PIN OUT/WIRING LIST
SEE NOTE 6

| END P1 | | END P2 | |
|------------|---------|------------|---------|
| PIN NUMBER | WIRE ID | PIN NUMBER | WIRE ID |
| C1-C4 | GROUND | C1-C4 | GROUND |
| A1 | TN1 | E1 | RN1 |
| B1 | TP1 | D1 | RP1 |
| D1 | RP2 | B1 | TP2 |
| E1 | RN2 | A1 | TN2 |
| A2 | TN6 | E2 | RN6 |
| B2 | TP6 | D2 | RP6 |
| D2 | RP7 | B2 | TP7 |
| E2 | RN7 | A2 | TN7 |
| A3 | TN8 | E3 | RN8 |
| B3 | TP8 | D3 | RP8 |
| D3 | RP3 | B3 | TP3 |
| E3 | RN3 | A3 | TN3 |
| A4 | TN5 | E4 | RN5 |
| B4 | TP5 | D4 | RP5 |
| D4 | RP4 | B4 | TP4 |
| E4 | RN4 | A4 | TN4 |

DWx = DRAIN WIRE x
 RPx = RECIEVER PAIR x, POSITIVE POLE
 RNx = RECIEVER PAIR x, NEGATIVE POLE
 TPx = TRANSMITTER PAIR x, POSITIVE POLE
 TNx = TRANSMITTER PAIR, NEGATIVE POLE

| | | | |
|--|--|--------------------|--------------|
| | TITLE CABLE ASSEMBLY DENS1-SHIELD I/O 8 PAIR | dwg no 10054999 | Rev. L |
| | catalog no - | CUSTOMER | sheet 2 of 4 |



Copyright FCI.

PRODUCT NUMBER
SEE NOTE 3

10054999-XXXXXXULF

NOTES:

1. MATES WITH FCI PART NUMBERS 10044471 SERIES.

2. UNLESS OTHERWISE SPECIFIED ASSEMBLED LENGTH TOLERANCE =
= 1 METER: $\pm 15.0\text{mm}$
> 1 METER TO 10 METER: $\pm 2\%$ OF "DIM L"
> 10 METER: $+0/-4\%$ OF "DIM L"

3. PART NUMBER DESCRIPTION:
10054999 - X XX XX X U LF

WIRE GAGE

N: 26 AWG

P: 28 AWG (NOT TOOLED)

R: 30 AWG

LF: LEAD FREE (NOTE 10)

U: UN-EQUALIZED

HARDWARE TYPE

A: HIGH SPEED VERSION + THUMBSCREWS

B: HIGH SPEED VERSION + TORX SCREW T-5

D: STANDARD VERSION + THUMBSCREWS

E: STANDARD VERSION + TORX SCREW T-5

LENGTH "DIM L" NOTE 9

XXXX: XX METERS, XX CENTIMETERS

EXAMPLES OF LENGTH GIVEN BELOW:

0046 = 00 METERS 46 CENTIMETERS

0500 = 05 METERS 00 CENTIMETERS

EXAMPLE: 10054999-N0046BULF = 26 AWG, 00 METER, 46 CENTIMETERS, HIGH SPEED TORX SCREW T-5, UN-EQUALIZED AND LEAD FREE

4. UNLESS OTHERWISE SPECIFIED LABEL POSITION SHALL BE APPROXIMATELY $50\text{mm} \pm 15\text{mm}$ FROM REAR OF CONNECTOR.

5. UNLESS OTHERWISE SPECIFIED STANDARD LABEL SHALL BE 10081646-002.

LABEL DETAILS;

-MANUFACTURER CODE OR NAME

-CUSTOMER P/N OR FCI P/N

-REVISION

-DATE CODE (WW/YY FORMAT) - SERIAL NUMBER

-COUNTRY ORIGIN

FONT SHALL BE CLEARLY VISABLE AND BLACK IN COLOR.



Copyright FCI.



| | | |
|---|--------------------|-----------|
| title CABLE ASSEMBLY DENSII-SHIELD I/O 8 PAIR | dwg no 10054999 | Rev. L |
| | catalog no - | CUSTOMER |

PRODUCT NUMBER
SEE NOTE 3
10054999-XXXXXXULF

A

B

C

D

NOTES CONTINUED:

6. ALL CABLE ASSEMBLIES SHALL BE TESTED 100% FOR CONTINUITY AS DEFINED IN WIRING LIST.

7. UNLESS OTHERWISE SPECIFIED ALL CABLE ASSEMBLIES SHALL BE 100% HI-POT TESTED PER PRODUCT SPECIFICATION: GS-12-314.

8. OTHER TESTING PERFORMED AS REQUIRED BY PRODUCT SPECIFICATION: GS-12-314.

9. THIS DIMENSION IS A FINISHED PRODUCT LENGTH.

10. LEAD FREE PRODUCTS MEET EUROPEAN UNION DIRECTIVES AND OTHER COUNTRY REGULATIONS AS DESCRIBED IN GS-22-008.

11. CONNECTOR ASSEMBLIES SHOWN ARE FOR REFERENCE ONLY AND MAY NOT SHOW ALL PART DETAIL. REFERENCE CONNECTOR ASSEMBLY DRAWINGS FOR COMPLETE DETAILS.

12. PACKAGING PER GLOBAL STANDARD GS-14-1272.

13. MATERIALS:

COVERS: ZINC ALLOY, Cu-Ni-Sn PLATED.

SHEET METAL COVER: COPPER ALLOY

FERRULES: COPPER ALLOY, Ni-Sn PLATED

TERMINAL BLOCK:

- HOUSING: THERMOPLASTIC

- TEMINALS: COPPER ALLOY, FINISH: MIN 0.8um Au ON Ni-UNDERLAYER IN CONTACT AREA.

- TRANSITION BOARD: FR4 FIBERGLASS FILLED EPOXY.

- LOCKING SCREW: STAINLESS STEEL

- SCREW STOP: TEFLON

14. MAXIMUM APPLICABLE TORQUE ON LOCKING SCREW = 0.3um

A

B

C

D



Copyright FCI.



| | | |
|--|--------------------|-----------|
| title CABLE ASSEMBLY DENS1-SHIELD I/O 8 PAIR | dwg no 10054999 | Rev. L |
| | catalog no - | CUSTOMER |

Mouser Electronics

Authorized Distributor

Click to View Pricing, Inventory, Delivery & Lifecycle Information:

[FCI / Amphenol:](#)

[10054999-N0030BULF](#) [10054999-N0100BULF](#) [10054999-N0200BULF](#) [10054999-N0300BULF](#) [10054999-N0600BULF](#) [10054999-N1000BULF](#) [10054999-N1200BULF](#) [10054999-N1500BULF](#) [10054999-N2000BULF](#) [10054999-N2200BULF](#) [10054999-N3500BULF](#) [10054999-R0046AULF](#) [10054999-R0100AULF](#) [10054999-R0100BULF](#) [10054999-R0160AULF](#) [10054999-R0200BULF](#) [10054999-R0265AULF](#) [10054999-R0500BULF](#) [10054999-R0600BULF](#) [10054999-R1000BULF](#) [10054999-R1200BULF](#) [10054999-R0020BULF](#) [10054999-R0036BULF](#) [10054999-R0050BULF](#) [10054999-R0300BULF](#) [10054999-N0500BULF](#) [10054999-N0300AULF](#) [10054999-N0100AULF](#) [10054999-N0500AULF](#) [10054999-N0050BULF](#) [10054999-N0400BULF](#) [10054999-N0070BULF](#) [10054999-N0150BULF](#) [10054999-R0025BULF](#) [10054999-R0035BULF](#) [10054999-R0090BULF](#) [10054999-R0150BULF](#)