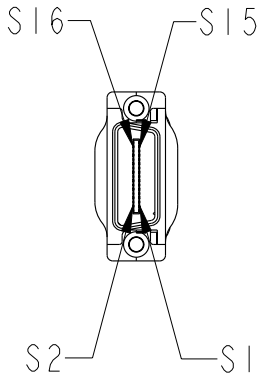
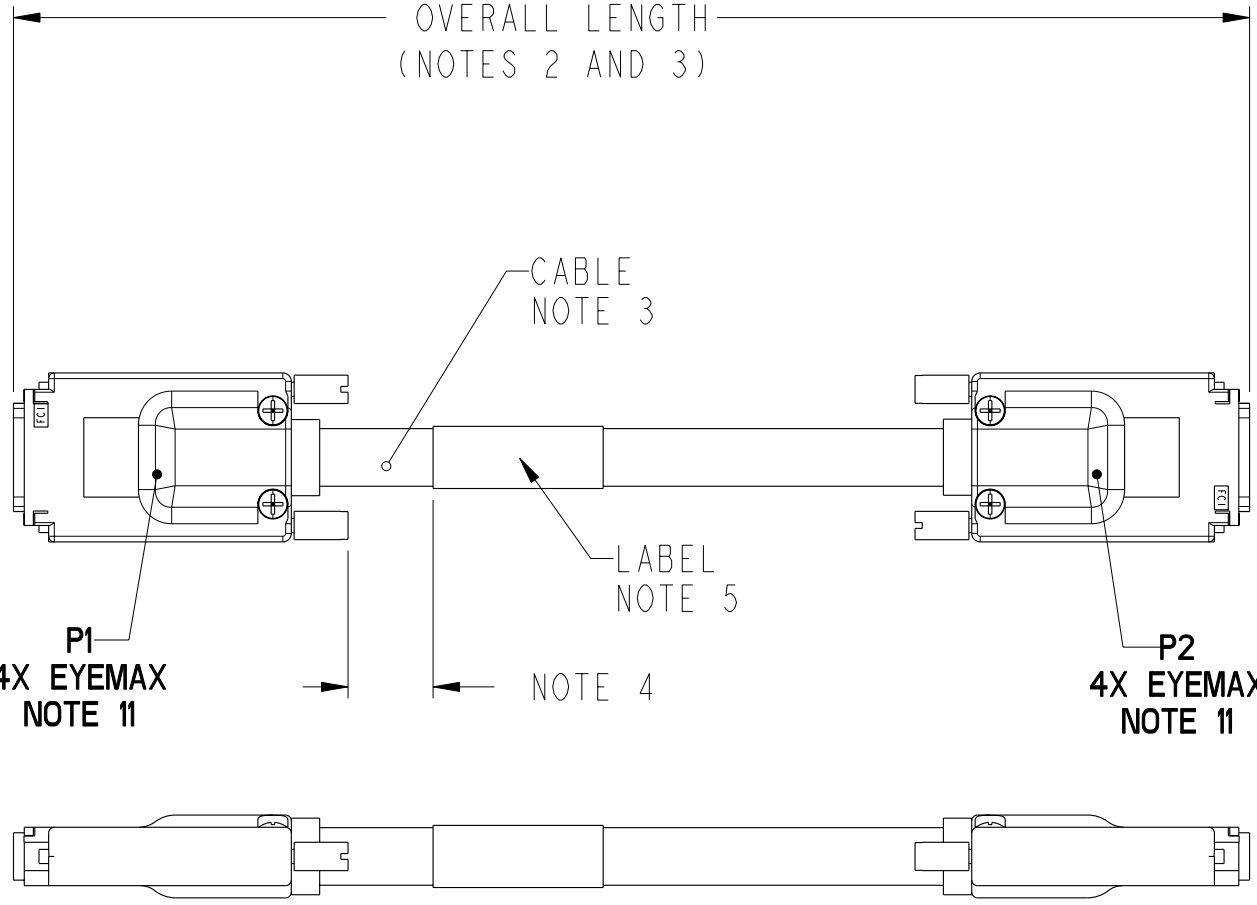


PRODUCT NUMBER  
SEE NOTE 3  
10018960-XXXXXAXLF

"L2"  
OVERALL LENGTH  
(NOTES 2 AND 3)



P1  
4X EYEMAX  
NOTE 11

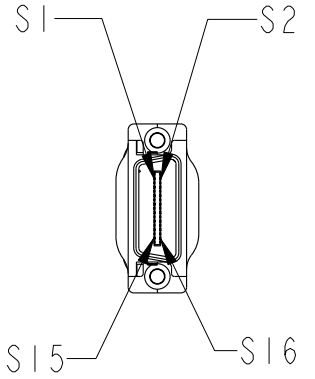


CABLE  
NOTE 3

LABEL  
NOTE 5

NOTE 4

P2  
4X EYEMAX  
NOTE 11



Copyright FCI.

rev	ecn no	dr	date
F	V06-1193	DAI	2007-01-04
-	-	-	-
-	-	-	-
-	-	-	-
-	-	-	-
-	-	-	-

www.fciconnect.com		surface <input checked="" type="checkbox"/>	tolerance std	projection	MM
		TOLERANCES UNLESS OTHERWISE SPECIFIED			
Dr	D. INGRAM	2007-01-04	ANGULAR	size	A4
Eng	C. GROSS	2007-01-04	LINEAR	0.xx	±0.10
Chr	C. GROSS	2007-01-04	0° ±°	ECN V06-1193	
Appr	C. GROSS	2007-01-04	Product family	C&A	Spec ref
		title		dwg no	Rev.
		4X EYEMAX W/THUMBSCREWS		10018960	F
		CABLE ASSEMBLY (INFINIBAND™)		CUSTOMER	sheet 1 of 3
		catalog no			

PRODUCT NUMBER  
SEE NOTE 3  
10018960-XXXXXAXLF

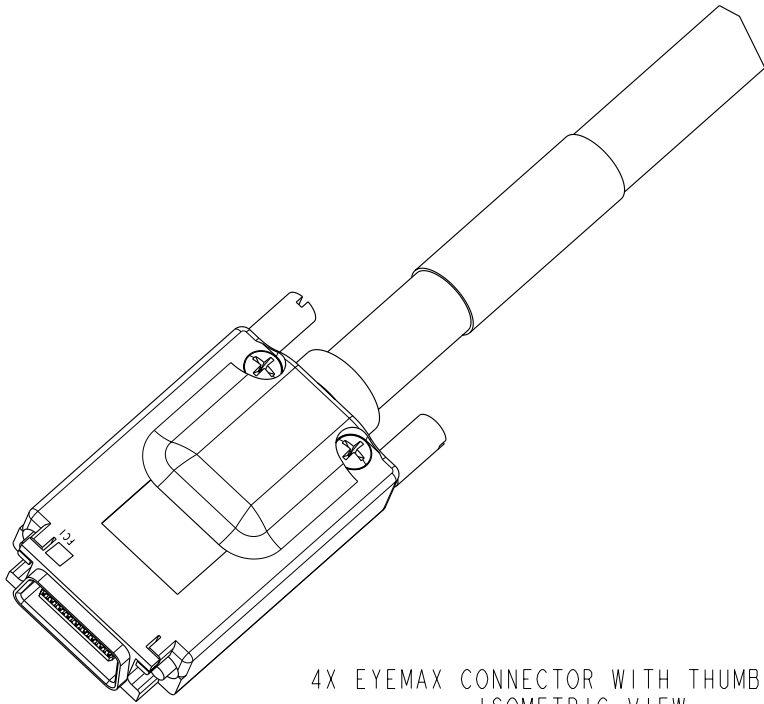
## PIN OUT/WIRING LIST SEE NOTE 6

A

B

C

D



4X EYEMAX CONNECTOR WITH THUMBSCREWS  
ISOMETRIC VIEW

**P1**

**P2**

PIN NUMBER	WIRE ID	PIN NUMBER	WIRE ID
G1-G9	GROUND	G1-G9	GROUND
S1	IB+xlp(0)	S16	IB+xOp(0)
S2	IB+xln(0)	S15	IB+xOn(0)
S3	IB+xlp(1)	S14	IB+xOp(1)
S4	IB+xln(1)	S13	IB+xOn(1)
S5	IB+xlp(2)	S12	IB+xOp(2)
S6	IB+xln(2)	S11	IB+xOn(2)
S7	IB+xlp(3)	S10	IB+xOp(3)
S8	IB+xln(3)	S9	IB+xOn(3)
S9	IB+xOn(3)	S8	IB+xln(3)
S10	IB+xOp(3)	S7	IB+xlp(3)
S11	IB+xOn(2)	S6	IB+xln(2)
S12	IB+xOp(2)	S5	IB+xlp(2)
S13	IB+xOn(1)	S4	IB+xln(1)
S14	IB+xOp(1)	S3	IB+xlp(1)
S15	IB+xOn(0)	S2	IB+xln(0)
S16	IB+xOp(0)	S1	IB+xlp(0)

A

B

C

D



Copyright FCI.



<b>title</b>	4X EYEMAX W/THUMBSCREWS CABLE ASSEMBLY (INFINIBAND™)	<b>dwg no</b>	10018960	<b>Rev.</b>	F
<b>catalog no</b>	-	<b>CUSTOMER</b>		<b>sheet 2 of 3</b>	

PRODUCT NUMBER  
SEE NOTE 3  
10018960-XXXXXAXLF

NOTES:

- 1. MATING RECEPTACLE DRAWING 10009629.
- 2. UNLESS OTHERWISE SPECIFIED ASSEMBLED LENGTH TOLERANCE =
  - < 1 METER = +/- 15.0mm
  - > 1 METER TO 10 METER = +/- 2% OF L2
  - > 10 METER = +0.00% / -4% OF L2

- 3. PART NUMBER DESCRIPTION: PENDING  
10018960- X XX XX A X LF

SIGNAL WIRE  
GAGE (AWG)  
M: 24 AWG  
N: 26 AWG  
P: 28 AWG  
R: 30 AWG

LEAD FREE (SEE NOTE 10)

E: EQUALIZED  
U: UN-EQUALIZED

HARDWARE TYPE  
A: THUMBSCREW

OVERALL LENGTH OF CABLE  
XXXX = XX METERS, XX CENTIMETERS  
EXAMPLES OF XXXX:  
0046 = 0 METERS 46 CENTIMETERS  
0850 = 8 METERS 50 CENTIMETERS

EXAMPLE: 10018960- M0850AULF = 24 AWG, 8.50 METER, THUMBSCREWS, UNEQUALIZED, LEAD FREE

- 4. UNLESS OTHERWISE SPECIFIED LABEL POSITION SHALL BE APPROXIMATELY 50mm FROM REAR OF CONNECTOR.
- 5. LABEL DETAILS:
  - MANUFACTURER CODE OR NAME
  - CUSTOMER P/N OR FCI P/N
  - REVISION
  - DATE CODE WW/YY FORMAT
  - COUNTRY ORIGIN

FONT SHALL BE CLEARLY VISIBLE AND BLACK IN COLOR.

- 6. ALL CABLE ASSEMBLIES SHALL BE TESTED 100% FOR CONTINUITY AS DEFINED IN WIRING LIST.
- 7. UNLESS OTHERWISE SPECIFIED ALL CABLE ASSEMBLIES SHALL BE 100% HI-POT TESTED BY APPLYING 300V FOR MINIMUM OF 10ms, UNLESS ACTIVE COMPONENTS ARE USED IN THIS ASSEMBLY.
- 8. OTHER TESTING PERFORMED AS REQUIRED BY PRODUCT SPECIFICATION:GS-12-216.
- 9. CABLE ASSEMBLIES SHALL WITHSTAND AN AXIAL LOAD OF 171bs/75N AT A RATE OF 25.4mm PER MINUTE, DURATION OF 1 (ONE) HOUR, WITHOUT DAMAGE TO CABLE OR CONNECTOR. CABLE PRODUCT SPECIFICATION: GS-12-216  
CONNECTOR PRODUCT SPECIFICATION: GS-12-209

- 10. LEAD FREE PRODUCTS MEET EUROPEAN UNION DIRECTIVES AND OTHER COUNTRY REGULATIONS AS DESCRIBED IN GS-22-008.

LEAD FREE SOLDER TAIL PLATING 2um (80u") MIN. MATTE TIN OVER 1.27um (50u") MIN. NICKEL UNDERPLATE.

PACKAGING OF LEAD FREE PRODUCTS MEETS LABELING AND PACKAGING SPECIFICATION GS-14-920.

- 11. CONNECTOR ASSEMBLIES SHOWN ARE FOR REFERENCE ONLY AND MAY NOT SHOW ALL PART DETAIL. REFERENCE CONNECTOR ASSEMBLY DRAWINGS FOR COMPLETE DETAILS.

- 12. GLOBAL STANDARDS FOR CABLE PACKAGING: GS-14-1093.

- 13. MATERIALS:
  - CABLE: FULLY SHIELDED, 8 DIFFERENTIAL PAIRS
  - COVERS: ZINC ALLOY WITH NICKEL OVERPLATE
  - CABLE COLLARS: PLASTIC
  - PLUG ASSEMBLIES: THERMOPLASTIC AND COPPER ALLOY
  - THUMBSCREWS: STAINLESS STEEL
  - PCB BOARD: FR4 FIBERGLASS

	title 4X EYEMAX W/THUMBSCREWS CABLE ASSEMBLY (INFINIBAND™)	dwg no 10018960	Rev. F
	catalog no -	CUSTOMER	sheet 3 of 3



Copyright FCI.

# Mouser Electronics

Authorized Distributor

Click to View Pricing, Inventory, Delivery & Lifecycle Information:

[FCI / Amphenol:](#)

[10018960-R0100AULF](#) [10018960-R0300AULF](#) [10018960-M0300AULF](#) [10018960-N1000AULF](#)