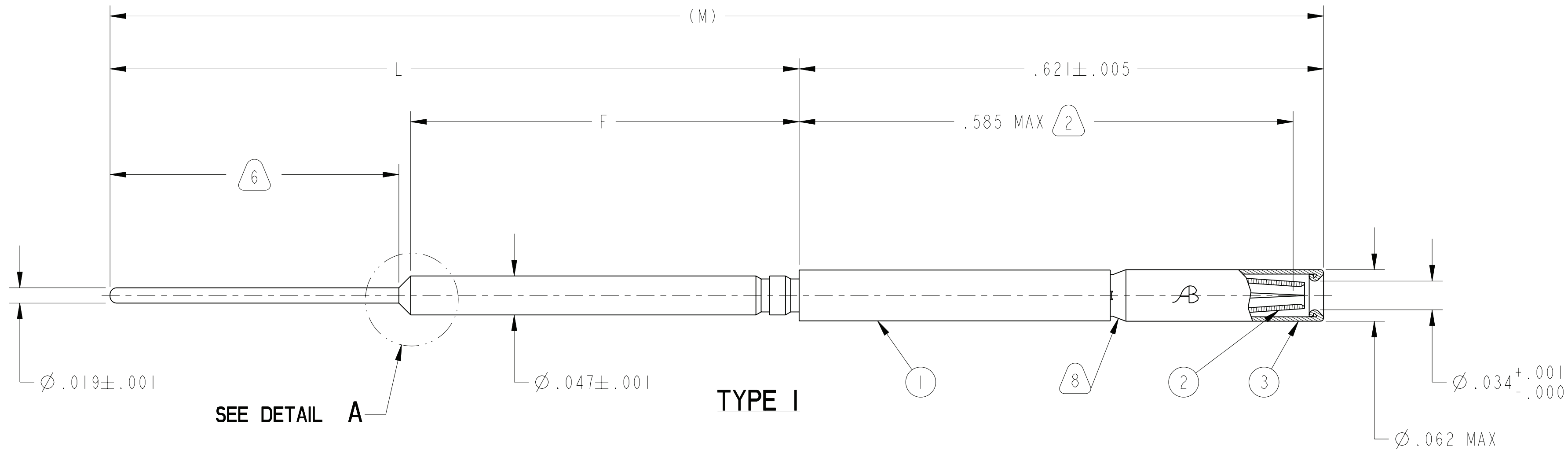
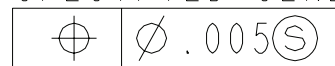


REV. B	SHEET 1 OF 4	DOCUMENT NO. 10-597878-( )
REVISIONS		
LTR	DESCRIPTION	DATE
A	INITIAL RELEASE	1/25/10
B	(CL 11) SEE CHG NOTICE ECN: B1963-0000	12/12/11



8. CRIMP SLEEVE AND SPRING TIGHTLY TO BODY PER 9-9383. A 15 POUND AXIAL LOAD SHALL NOT DISLodge SPRING. SLEEVE SHALL WITHSTAND A .4 IN-OZ TORQUE WITHOUT SPINNING.

7. SPECIFIED GENERAL TOLERANCES:



6. INDICATED AREA MEETS THE SOLDERABILITY REQUIREMENTS OF MIL-STD-202, METHOD 208.

5. MEETS THE APPLICABLE REQUIREMENTS OF M39029/56.

4. ALL DIMENSIONS ARE AFTER PLATING.

3. PROCESS SPEC:  
 ASSY 9-9383  
 TEST 9-5272-16

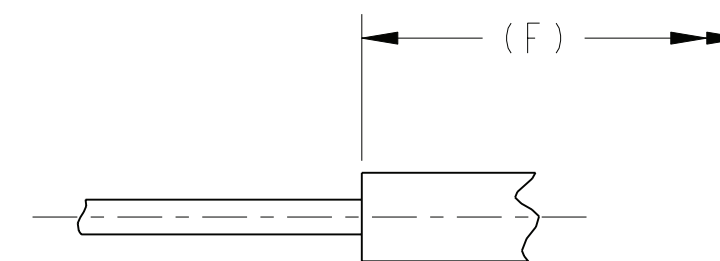
2. INDICATED DIMENSION TO BE FROM SHOULDER TO POINT OF ENGAGEMENT OF SPRING AND A.0300±.0002 DIAMETER SQUARE ENDED PIN.

1. A.0305+.0002-.0000 DIA HARDENED STEEL PIN SHALL ENGAGE SOCKET WITH A FORCE NOT GREATER THAN 9.5 OZ. A .0295+.0000-.0002 DIAMETER HARDENED STEEL PIN SHALL DISENGAGE SOCKET WITH A FORCE NOT LESS THAN 1.25 OZ. DEPTH OF ENGAGEMENT OF PINS SHALL BE .116 MIN. FROM FRONT OF CONTACT. PINS SHALL HAVE A SPHERICAL TIP AND A 3 FINISH.

NOTES:

THE USE OF THIS DOCUMENT IS UNLIMITED. HOWEVER, DOCUMENTS REFERENCED HEREON MAY CONTAIN LIMITED RIGHTS DATA.

9. TO COMPLETE PART NUMBER, ADD APPLICABLE SUFFIX DIGIT FINISH GOLD 9-7362-5



DETAIL A  
 TYPE II  
 SCALE 10

DOCUMENT NO.	SHEET 1 OF 4	REV. B
10-597878-( )		

PRO/ENGINEER INFORMATION
Pro/e Model Used:
10-597878.ASSEM
Drawing Name:
10-597878

UNLESS OTHERWISE SPECIFIED	SPECIFICATIONS
LINEAR DIMENSIONS ARE IN INCHES TOLERANCES: .XXXX = ±.0005 ANGLES= ±2° .XXX = ±.010 .XX = ±.03 .X = ±.1	MATERIAL SPEC. N/A
DIM. & TOL. PER ASME Y14.5M; DRM PER MIL-DTL-31000; OTHER Amphenol Stds. PER 9-3800	PROCESS SPEC. SEE NOTE 3
LEGENDS: =FLAG NOTE CALL OUT REFERENCE ONLY	

POS	QTY	PART NUMBER	DESCRIPTION	NOTE
3	1	10-407914-22B	SLEEVE	8
2	1	10-597871-725	SPRING	8
1	1	10-597879-( )	CONTACT BODY	

APPROVALS		DATE
PREPARED BY	HTANG	
ENGINEER IN CHARGE	LRATCHFORD	20-Feb-09
DESIGN MANAGER	HJOHNSON	
DESIGN ACTIVITY GROUP	MIL-AER DEVELOP	
THIRD ANGLE PROJECTION		

PARTS LIST			
<b>AMPHENOL CORPORATION</b> 40-60 DELAWARE AVENUE SIDNEY, N.Y. 13858			
<b>CONTACT, SOCKET, ELECTRICAL CONNECTOR SIZE 22D, TYPE LJT-R, HYBRID, PCB</b>			
SIZE C	CAGE CODE 77820	DOCUMENT NO. 10-597878-( )	REV. B
SCALE: 10.0	REF. 10-597872-451	SHEET 1 OF 4	
	10-497623		

DOCUMENT NO. 10-597878-( ) SHEET 1 OF 4 REV. B

RELEASE STATE Released REVISION B 0 SHEET 1 OF 4 REV. B

10-597878-( )

SHEET 2 OF 4

REV. B

C

B

A

ASSEMBLY NUMBER	BODY	F	L	(M)	TYPE
10-597878-01( )	10-597879-01( )	.460 <sup>+.000</sup> <sub>-.015</sub>	.816±.005	1.439	
10-597878-02( )	10-597879-02( )	1.123 <sup>+.000</sup> <sub>-.015</sub>	1.393±.005	2.016	
10-597878-03( )	10-597879-03( )	.460 <sup>+.000</sup> <sub>-.015</sub>	.873±.005	1.496	
10-597878-04( )	10-597879-04( )	.460 <sup>+.000</sup> <sub>-.015</sub>	.733±.005	1.356	
10-597878-05( )	10-597879-05( )	.460 <sup>+.000</sup> <sub>-.015</sub>	1.031±.005	1.654	
10-597878-06( )	10-597879-06( )	1.000 <sup>+.000</sup> <sub>-.015</sub>	1.393±.005	2.016	
10-597878-07( )	10-597879-07( )	.460 <sup>+.000</sup> <sub>-.015</sub>	.671±.005	1.294	
10-597878-08( )	10-597879-08( )	.460 <sup>+.000</sup> <sub>-.015</sub>	.768±.005	1.391	I
10-597878-09( )	10-597879-09( )	.525 <sup>+.000</sup> <sub>-.015</sub>	.700±.005	1.323	
10-597878-10( )	10-597879-10( )	.460 <sup>+.000</sup> <sub>-.015</sub>	.553±.005	1.176	
10-597878-11( )	10-597879-11( )	.460 <sup>+.000</sup> <sub>-.015</sub>	1.091±.005	1.714	
10-597878-12( )	10-597879-12( )	.525 <sup>+.000</sup> <sub>-.015</sub>	.665±.005	1.288	
10-597878-13( )	10-597879-13( )	.840±.005	1.090±.005	1.713	
10-597878-14( )	10-597879-14( )	.900 <sup>+.000</sup> <sub>-.015</sub>	1.139 <sup>+.000</sup> <sub>-.015</sub>	1.762	
10-597878-15( )	10-597879-15( )	.460±.005	.948±.005	1.571	

ASSEMBLY NUMBER	BODY	F	L	(M)	TYPE
10-597878-16( )	10-597879-16( )	.340±.005	.453±.005	1.076	
10-597878-17( )	10-597879-17( )	1.200 <sup>+.000</sup> <sub>-.015</sub>	2.392±.005	3.015	
10-597878-18( )	10-597879-18( )	.280 <sup>+.000</sup> <sub>-.015</sub>	.585±.005	1.208	
10-597878-19( )	10-597879-19( )	.303±.005	.454±.003	1.077	
10-597878-20( )	10-597879-20( )	1.123 <sup>+.000</sup> <sub>-.015</sub>	1.427±.005	2.050	I
10-597878-21( )	10-597879-21( )	.275±.003	.477±.005	1.100	
10-597878-22( )	10-597879-22( )	.439±.010	.590±.005	1.213	
10-597878-23( )	10-597879-23( )	.485±.005	.739±.003	1.362	
10-597878-24( )	10-597879-24( )	.415±.007	.790±.003	1.413	
10-597878-25( )	10-597879-25( )	.729±.003	.953±.005	1.576	II
10-597878-26( )	10-597879-26( )	.486 <sup>+.000</sup> <sub>-.015</sub>	1.048±.010	1.671	
10-597878-27( )	10-597879-27( )	.525 <sup>+.000</sup> <sub>-.015</sub>	1.102±.003	1.725	I
10-597878-28( )	10-597879-28( )	.621±.005	.801±.005	1.424	
10-597878-29( )	10-597879-29( )	.876±.005	1.073±.005	1.696	II
10-597878-30( )	10-597879-30( )	.590±.003	.690±.002	1.313	

9

9

NOTES: SEE SHEET I

THE USE OF THIS DOCUMENT IS UNLIMITED. HOWEVER, DOCUMENTS REFERENCED HEREON MAY CONTAIN LIMITED RIGHTS DATA.

10-597878-( ) SHEET 2 OF 4 REV. B

RELEASE STATE Released REVISION B 0

C

D

10-597878-( )

SHEET 3 OF 4

REV B

C

B

A

ASSEMBLY NUMBER	BODY	F	L	(M)	TYPE
10-597878-31( )	10-597879-31( )	.460 <sup>+.000</sup> <sub>-.015</sub>	.783±.005	1.406	I
10-597878-32( )	10-597879-32( )	.804±.005	1.129±.003	1.752	
10-597878-33( )	10-597879-33( )	.479±.005	.754±.003	1.377	
10-597878-34( )	10-597879-34( )	.460±.005	1.203±.003	1.826	II
10-597878-35( )	10-597879-35( )	.450±.005	.880±.005	1.503	
10-597878-36( )	10-597879-36( )	.520±.003	.747±.005	1.370	I
10-597878-37( )	10-597879-37( )	.730±.003	.830±.002	1.453	
10-597878-38( )	10-597879-38( )	.460 <sup>+.000</sup> <sub>-.015</sub>	1.017±.003	1.640	II
10-597878-39( )	10-597879-39( )	1.577±.005	1.687±.005	2.310	
10-597878-40( )	10-597879-40( )	.280 <sup>+.000</sup> <sub>-.015</sub>	.782±.005	1.405	I
10-597878-41( )	10-597879-41( )	.588 <sup>+.003</sup> <sub>-.000</sub>	.730±.003	1.353	
10-597878-42( )	10-597879-42( )	.623±.005	.748±.005	1.371	I
10-597878-43( )	10-597879-43( )	.340±.005	.460±.005	1.083	
10-597878-44( )	10-597879-44( )	.280 <sup>+.000</sup> <sub>-.015</sub>	.782±.005	1.405	II
10-597878-45( )	10-597879-45( )	1.450 <sup>+.000</sup> <sub>-.015</sub>	2.167±.003	2.790	
10-597878-46( )	10-597879-46( )	.520±.005	.833±.002	1.456	I
10-597878-47( )	10-597879-47( )	.600±.003	.700±.003	1.323	
10-597878-48( )	10-597879-48( )	.280 <sup>+.000</sup> <sub>-.015</sub>	.550±.005	1.173	I
10-597878-49( )	10-597879-49( )	.280±.005	.805±.005	1.428	
10-597878-50( )	10-597879-50( )	.257±.005	.503±.005	1.126	

9

NOTES: SEE SHEET 1

THE USE OF THIS DOCUMENT IS UNLIMITED. HOWEVER, DOCUMENTS REFERENCED HEREON MAY CONTAIN LIMITED RIGHTS DATA.

ASEEMBLY NUMBER	BODY	F	L	(M)	TYPE
10-597878-51( )	10-597879-51( )	.280 <sup>+.000</sup> <sub>-.015</sub>	.715±.005	1.338	I
10-597878-52( )	10-597879-52( )	.580±.003	.830±.005	1.453	
10-597878-53( )	10-597879-53( )	.460 <sup>+.000</sup> <sub>-.015</sub>	.965±.003	1.588	
10-597878-54( )	10-597879-54( )	.479±.005	1.054±.005	1.677	II
10-597878-55( )	10-597879-55( )	.750±.005	1.060±.005	1.683	
10-597878-56( )	10-597879-56( )	.800±.005	.986±.005	1.609	I
10-597878-57( )	10-597879-57( )	.280 <sup>+.000</sup> <sub>-.015</sub>	.420±.003	1.043	
10-597878-58( )	10-597879-58( )	.637±.003	1.075±.004	1.698	II
10-597878-59( )	10-597879-59( )	.460 <sup>+.000</sup> <sub>-.015</sub>	.850±.005	1.473	
10-597878-60( )	10-597879-60( )	.600±.005	.938±.005	1.561	I
10-597878-61( )	10-597879-61( )	.410±.003	.690±.003	1.313	
10-597878-62( )	10-597879-62( )	.438±.005	.754±.003	1.377	I
10-597878-63( )	10-597879-63( )	.280 <sup>+.000</sup> <sub>-.015</sub>	.825±.005	1.448	
10-597878-64( )	10-597879-64( )	.590±.005	.901±.005	1.524	I
10-597878-65( )	10-597879-65( )	.460±.005	.915±.005	1.538	
10-597878-66( )	10-597879-66( )	.460±.005	.645±.003	1.268	I
10-597878-67( )	10-597879-67( )	.280±.005	1.015±.005	1.638	
10-597878-68( )	10-597879-68( )	.735±.005	1.169±.005	1.792	I
10-597878-69( )	10-597879-69( )	.376±.005	.995±.005	1.618	

9

D

C

0

B

Released

SHEET 3 OF 4

10-597878-( )

ASSEMBLY NUMBER	BODY	F	L	(M)	TYPE
10-597878-70( )	10-597879-70( )	.665±.002	.921±.002	1.544	II
10-597878-71( )	10-597879-71( )	.460±.005	.655±.003	1.278	I
10-597878-72( )	10-597879-72( )	.515±.003	.830±.005	1.453	II
10-597878-73( )	10-597879-73( )	.455±.005	.603±.003	1.226	
10-597878-74( )	10-597879-74( )	.984±.005	1.215±.005	1.838	I
10-597878-75( )	10-597879-75( )	.279±.005	.754±.003	1.377	
10-597878-76( )	10-597879-76( )	.381±.005	.645±.003	1.268	II
10-597878-77( )	10-597879-77( )	.555±.005	.840±.005	1.463	
10-597878-78( )	10-597879-78( )	.690±.005	1.260±.005	1.883	I
10-597878-79( )	10-597879-79( )	.607±.005	.895±.005	1.518	
10-597878-80( )	10-597879-80( )	.685 <sup>+.000</sup> <sub>-.015</sub>	.915±.003	1.538	II
10-597878-81( )	10-597879-81( )	.270±.005	.645±.005	1.228	I

9

**NOTES:**

THE USE OF THIS DOCUMENT IS UNLIMITED. HOWEVER, DOCUMENTS REFERENCED HEREON MAY CONTAIN LIMITED RIGHTS DATA.

DOCUMENT NO. 10-597878-( )  
SHEET 4 OF 4  
REV. B

DOCUMENT NO. 10-597878-( )  
SHEET 4 OF 4  
REV. B  
Eng. PDM Information For Reference Only  
REVISION B  
VERSION 0

SIZE C	CAGE CODE 77820	DOCUMENT NO. 10-597878-( )	REV. B
SCALE: 10.0	REF: 10-597872-451	SHEET 4 OF 4	

# Mouser Electronics

Authorized Distributor

Click to View Pricing, Inventory, Delivery & Lifecycle Information:

[Amphenol:](#)

[10-597878-031](#) [10-597878-041](#) [10-597878-011](#)