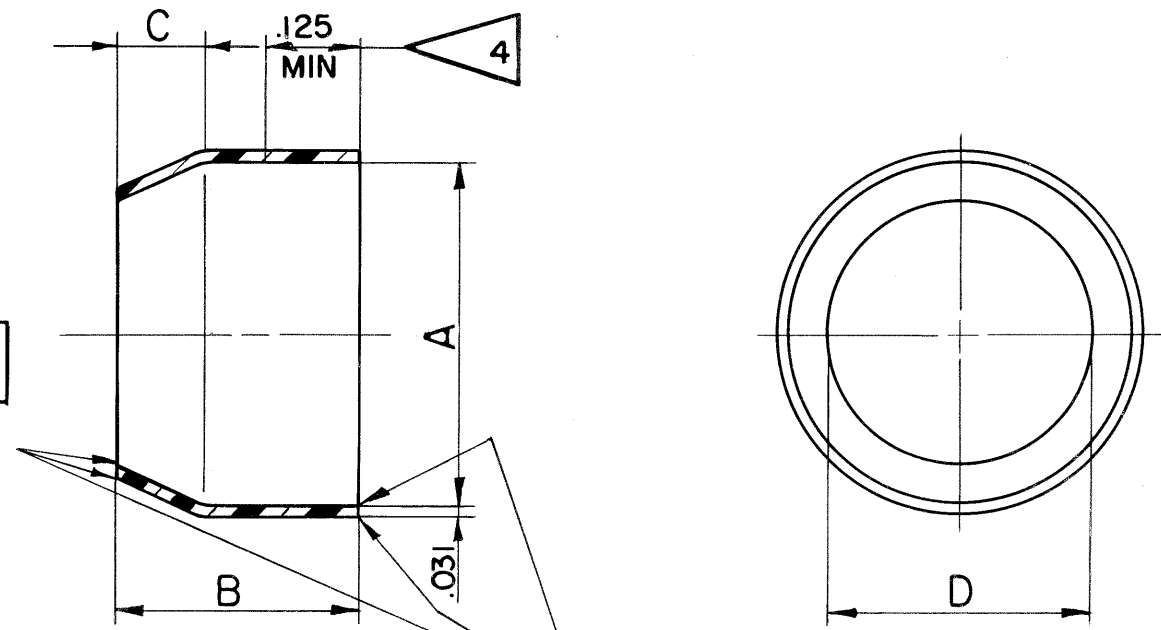


PART NUMBER	DIMENSIONS				RELEASE	COMMENT	WT-LB
	A DIA +.000 -.010	B	C	D DIA			
10-117913-6	.392	.484	.234	.202	32032-13	22446-244	
-8	.516			.327			
-10	.642			.444			
-12	.766			.558			
-14	.892			.683			
-16	1.018			.808			
-18	1.142			.909			
-20	1.268	.578		1.034	31525-299	22446-333	
-22	1.392	.578		1.159			
-24	1.518	.578		1.284	33524-638	22697-15	
-28	1.642	.578		1.409	47524-1098		INACTIVATED SUPSD BY -26
-26	1.642	.578	.234	1.409	47525-680		

10-117913

REL	32032-13	WAS	DATE	D'MAN	APPD.
1	31525-299	REDRAWN, SAME SIZE; ADD 8 REL -20, -22 & DATA	5-17-56	NOREIKA	<i>[Signature]</i>
2	33524-573	ADD -24 & DATA	6-9-58	A. NILES	<i>[Signature]</i>
3	33524-638	REL -24	8-25-58	COOPER	<i>[Signature]</i>
4	36878-1	ADD .125 MIN; NOTE 4.	5-30-60	RICKS	<i>[Signature]</i>
A1	42525-948	(MFG); ADD. -28 & DATA	9-15-64	Randall	<i>[Signature]</i>
A2	47524-1098	REL -28	5-16-67	CARR	<i>[Signature]</i>
A3	47525-680	ADD. 8 REL -26; INACTIVATED -28, SUPSD BY -26	6-12-67	Randall	<i>[Signature]</i>
B	21248-1	(CL II) ADDED NOTE 5	11-11-88	SHERRER	<i>[Signature]</i>
C	26178	(CL II) REM NOTE 5	5-14-92	ELLIOTT	<i>[Signature]</i>



PART NUMBER USAGE RE-SELECTED TO ELECTRICAL CONNECTOR DESIGN GROUP

4. TOLERANCE OF A DIAMETER TO BE APPLICABLE FOR INDICATED LENGTH.
 3. PARTS TO BE TRANSPARENT TO TRANSLUCENT.
 2. E. I. DUPONT DE NEMOURS & CO, INC ZYTEL 101.
 1. ENGINEERING SOURCE APPROVAL REQUIRED.
- NOTES: REF SYMBOL ◁

MATERIAL SPEC. NYLON SEE NOTES 1 & 2	PROCESS SPEC.	SCINTILLA MAGNETO DIVISION BENDIX AVIATION CORPORATION SIDNEY, N. Y., U.S.A.					TOLERANCES UNLESS OTHERWISE SPECIFIED FRACTIONS ± 1/32 DECIMALS ± .010 ANGLES ± 3° CONCENTRICITY .015 FIR. BREAK SHARP EDGES .810-.800 SQUAREDNESS .010 PER INCH OF LENGTH MACHINED SURFACES MUST BE FLAT AND PARALLEL WITHIN THE TOLERANCE OF THE APPLICABLE DIMENSION AND SMOOTH WITHIN 200 MICRO-INCHES RMS.		
HEAT TREAT SPEC.	FINISH SPEC.	NAME END BELL, POTTING, ELECTRICAL CONNECTOR, TYPE PC()					NEXT ASSEMBLY	10-105606 THRU 10-105650	WEIGHT - LBS SEE
							10-105006 THRU 10-105050	WT COL	
							SUPERSEDES 10-101913 AND IS NOT INTERCHANGEABLE		
							SUPERSEDED BY		
							10-117913		
							REF. 10-36298 TAB.		
TOOL ACC.	COM. REC 22446-244	5-10-56	6-27-56	6-20-56	6-29-56	6-29-56	6-29-56	NONE	

Mouser Electronics

Authorized Distributor

Click to View Pricing, Inventory, Delivery & Lifecycle Information:

[Amphenol:](#)

[10-117913-012](#) [10-117913-014](#) [10-117913-022](#) [10-117913-008](#) [10-117913-016](#) [10-117913-018](#)