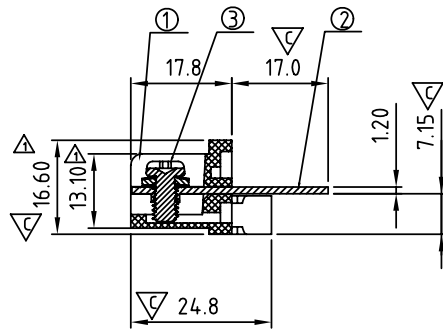
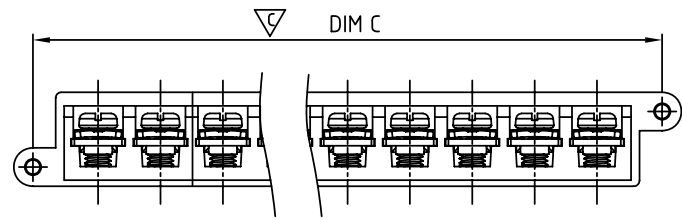
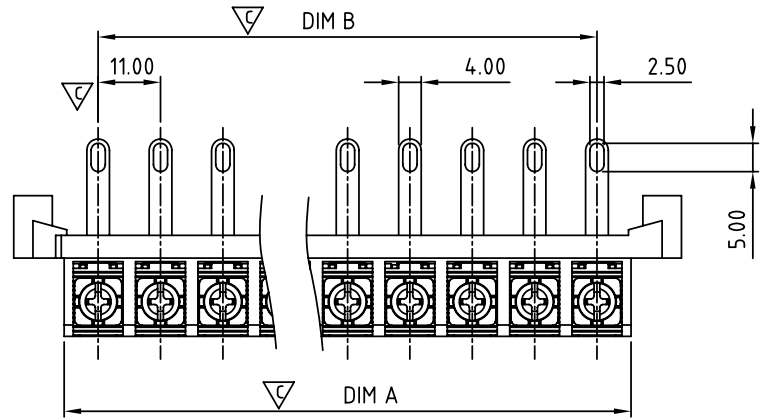


SIGN	DATE	DESCRIPTION	APPROVER
△	10/23'06	Added demention 16.60 and 13.10	Steady
△	5/20'09	Voltage & Current changed from DC 24V,30A to 300V,20A	Eris
△	5/20'09	Temperature changed from -40°C-105°C to -40°C-115°C	Eris
△	5/20'09	Screw torque value changed from 10Kgf.cm to 11lb-In	Eris
△	5/20'09	Add approval "CULUS"	Eris
△	01/12'10	The Dimension is changed from : N×11.0+0.6 to N×11.0+0.2	Seamus
△	10/22'12	Change the screw plating specification	Jacky
<i>THIS IS CAD DRAWING, DO NOT REVISE MANUALLY!!!</i>			



MATERIALS ELECTRICAL

△ RATED VOLTAGE & CURRENT: 300V, 20 A
 WITHSTAND VOLTAGE: AC 2000 V/Min
 INSULATION RESISTANCE: 1000 MΩ OR MORE AT DC 500 V
 △ OPERATING TEMPERATURE RANG: -40 °C ~ +115 °C
 △ SCREW TORQUE VALUE: 11Lb-In
 WIRE RANGE: 22-12 AWG
 1) MOLDED PARTS: Thermoplastic (UL 94 V-0)
 2) TERMINAL: BRASS, 1.2t, Tin PLATED
 △ 3) TERMINAL SCREWS: STEEL, M4
 △ APPROVAL:
 PART NO.:
 Critical dimension:

YK 111 xx 3 x x 00G

NO. OF POLES
 02: 2 POLES
 03: 3 POLES
 04: 4 POLES
 ...
 30: 30 POLES

G:RoHS compliant(lead<4%
 in copper alloy
 MARK
 0: "@ " MARK
 1: "ANY " MARK
 ...
 TERMINAL & SCREW PLATED
 0: TERMINAL & SCREW: G/F
 △ 1: TERMINAL: G/F, SCREW: Zinc
 2: TERMINAL: Sn, SCREW: G/F
 △ 3: TERMINAL: Sn, SCREW: Zinc

Dimension A&B&C

DIM A	N×11.0+0.2	△
DIM B	(N-1)×11.0	
DIM C	(N+1)×11+1	

N=Number of contacts

Poles	A&B Tolerance
2P-8P	±0.20
9P-14P	±0.30
15P-20P	±0.40
21P-24P	±0.50
25P-30P	±0.60

ANYTEK

CUSTOMER COPY

ALL RIGHTS RESERVED. REPRODUCTION OR ISSUE TO THIRD PARTIES IN ANY FORM WHATSOEVER IS NOT PERMITTED WITHOUT WRITTEN AUTHORITY FROM THE PROPRIETOR. PROPERTY OF ANYTEK TECHNOLOGY CO., LTD

TITLE		YK-111 W/Flange Series			
PART NO.		YK111xx3xx00G		DWG NO.	8YK0001-111
APPROVED	CHECKED	DESIGNED	DRAWN	CUST NO.	
		Jacky 2012.10.22	Jacky 2012.10.22		
				Tolerance	
				X. ±0.50	
				X.X ±0.30	
				X.XX ±0.10	
				X° ±1°	
				UNIT: mm	
				SCALE: NONE	
				SHEET: 01/01	
				REV.: F	

Mouser Electronics

Authorized Distributor

Click to View Pricing, Inventory, Delivery & Lifecycle Information:

Amphenol:

[YK1110233000G](#) [YK1110333000G](#) [YK1110433000G](#) [YK1110533000G](#) [YK1110633000G](#) [YK1110733000G](#)
[YK1110833000G](#) [YK1110933000G](#) [YK1111033000G](#) [YK1111133000G](#) [YK1111233000G](#) [YK1111333000G](#)
[YK1111433000G](#) [YK1111533000G](#) [YK1111633000G](#) [YK1111733000G](#) [YK1111833000G](#) [YK1111933000G](#)
[YK1112033000G](#) [YK1112133000G](#) [YK1112233000G](#) [YK1112333000G](#) [YK1112433000G](#) [YK1112533000G](#)
[YK1112633000G](#) [YK1112733000G](#) [YK1112833000G](#) [YK1112933000G](#) [YK1113033000G](#)