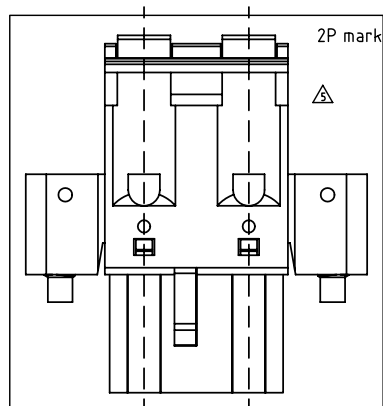
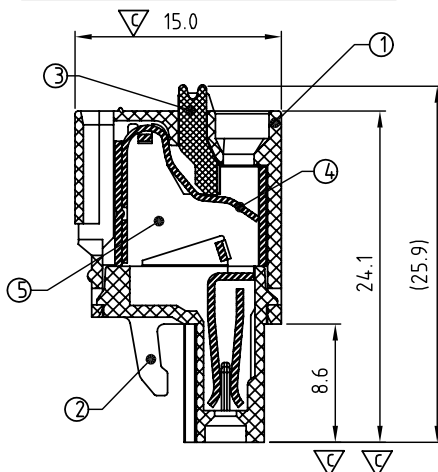


△ Dimension

DIM L	$(N-1) \times 7.62 + 5.7$
DIM A	$(N-1) \times 7.62 + 5.0$
DIM B	$(N-1) \times 7.62$

N=Number of poles

POLES	Tolerance
2p-6p	±0.15
7p-12p	±0.20
13p-16p	±0.30



SIGN	DATE	DESCRIPTION	APPROVER
△	12/02'08	Flange screw changed from "-" to "+/-"	Tony
△	11/21'09	The normal grey No. changed from RAL7004/P to RAL7035/D	Kind
△	03/03'10	The wire strip length is changed from 7~8mm to 8~9mm	Welch
△	03/03'10	Add the glue on the top	Welch
△	04/06'10	Add the 2P mark	RUNNER
△	02/21'13	add the safety certification icon or update the drawing	Da cheng

THIS IS CAD DRAWING, DO NOT REVISE MANUALLY!!!

Material

- Item 1 Terminal body:Thermoplastic (UL94V-0)
- Item 2 Terminal body:Thermoplastic (UL94V-0)
- Item 3 Terminal lever:Thermoplastic (UL94V-0) Orange(RAL2011/P)
- Item 4 Wire guard:Stainless Steel
- Item 5 Female contact:PhBz (CuSn) Tin plated
- Item 6 High flange screw:Steel Zinc plating M2.5 "+/-"solt type

△ Electrical

cULus

- Voltage rating: 300V
- Current rating: 10A
- Solid wire(AWG): 12-26
- Stranded wire(AWG): 12-26
- Wire strip length: 8-9mm
- Withstanding Voltage: 1.6KV
- Operating temperature: -40°C to +115°C
- Safety Approval:
- Critical dimension:

HW xx 00 x 2 xxxx G

△ RoHS compliant (lead<4%)
In copper Alloy

No. OF POLES
02 2 POLES
03 3 POLES
... ..
16 16 POLES

- △ Body Color
 - 0 Black (RAL9005)
 - 2 Red (RAL3001/D)
 - 3 Orange(RAL2011/P)
 - 4 Yellow(RAL1018/A)
 - 5 Green(RAL6018/T)
 - 6 Blue (RAL5015/A)
 - △ 8 Grey(RAL7035/D)
 - C Green(RAL6018/U)
- 0000 Standard @ Logo
000A Standard ANY Logo
Any special item by customer request, please contact sales department.

ANYTEK

CUSTOMER COPY

ALL RIGHTS RESERVED. REPRODUCTION OR ISSUE TO THIRD PARTIES IN ANY FORM WHATSOEVER IS NOT PERMITTED WITHOUT WRITTEN AUTHORITY FROM THE PROPRIETOR. PROPERTY OF ANYTEK TECHNOLOGY CO., LTD

TITLE		HW 7.62 Series Contact on down side (W/F)				
PART NO.	HWxx00x2xxxxG	DWG NO.	8HW0504			
APPROVED	CHECKED	DESIGNED	DRAWN	CUST NO.	Tolerance	
		Da cheng 2013.02.21	Da cheng 2013.02.21		X. ±0.50 X.X ±0.30 X.XX ±0.10 X° ±1°	
					UNIT: mm	
					SCALE: NONE	
				SHEET: 01/01	REV.: G	

Mouser Electronics

Authorized Distributor

Click to View Pricing, Inventory, Delivery & Lifecycle Information:

Amphenol:

[HW0200520000G](#) [HW0300520000G](#) [HW0400520000G](#) [HW0500520000G](#) [HW0600520000G](#) [HW0700520000G](#)
[HW0800520000G](#) [HW0900520000G](#) [HW1000520000G](#) [HW1100520000G](#) [HW1200520000G](#) [HW1300520000G](#)
[HW1400520000G](#) [HW1500520000G](#) [HW1600520000G](#) [HW0900820000G](#) [HW1400020000G](#) [HW1600820000G](#)
[HW1200820000G](#) [HW1600020000G](#) [HW0700820000G](#) [HW1200020000G](#) [HW1300820000G](#) [HW1000820000G](#)
[HW1300020000G](#) [HW1500020000G](#) [HW0400020000G](#) [HW0300020000G](#) [HW0500020000G](#) [HW0600820000G](#)
[HW0700020000G](#) [HW1100820000G](#) [HW0800820000G](#) [HW0400820000G](#) [HW0900020000G](#) [HW0500820000G](#)
[HW0200820000G](#) [HW0600020000G](#) [HW1000020000G](#) [HW1100020000G](#) [HW1400820000G](#) [HW1500820000G](#)
[HW0200020000G](#) [HW0800020000G](#) [HW0300820000G](#)