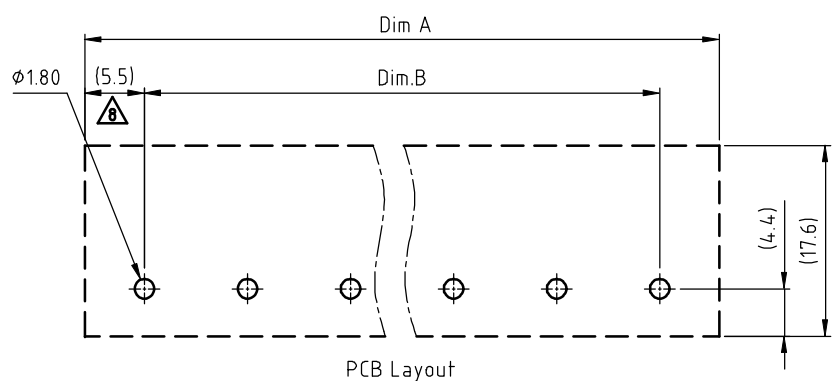
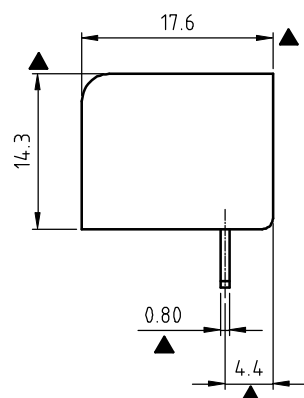
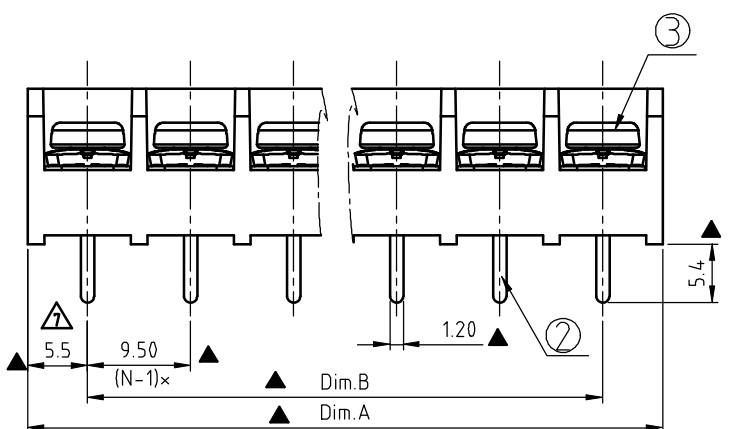
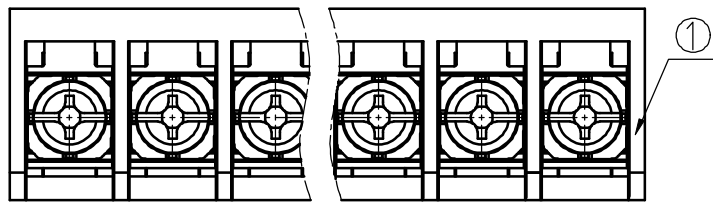


Rev.	SIGN	DATE	DESCRIPTION	APPROVER
D	△	10/17'08	Add APPROVAL: : CQC	Kind
E	△	3/5'09	The terminal material changed from Brass to PHBZ.	Kind
F	△	4/17'09	Explanation changed	Eris
G	△	06/04'11	Critical dimension is changed.	Tason
H	△	06/04'11	The Wire Range is changed from 20-14AWG to 22-14AWG	Tason
	△	06/04'11	The tolerance table is changed.	Tason
I	△	06/16'11	The dimension is changed from 5.55 to 5.5	Tason
	△	06/16'11	The dimension is changed from (5.6) to (5.5)	Tason
	△	06/16'11	The dimension is changed from 1.6 to 1.5	Tason
J	△	11/10'12	Change the screw plating specification	Jacky
K	△	12/19'13	Change the withatand voltage , current, Screw Torque.	Jacky
L	△	05/08'17	Add the TUV electrical.	Guoxue

THIS IS CAD DRAWING, DO NOT REVISE MANUALLY!!!



N = Number of poles  
 Dim A = N x 9.5 + 1.5  
 Dim B = (N - 1) x 9.5

Poles	Tol.	Dim A & B
2-4p		±0.20
5-8p		±0.25
9-16p		±0.35
17-23p		±0.40
24-30p		±0.50

**MATERIALS ELECTRICAL**  
 △ RATED VOLTAGE & CURRENT: 300 V, 30A / 300V 24A △ 300V 24A  
 WITHSTAND VOLTAGE: AC2500V/min △ AC2500V/min  
 INSULATION RESISTANCE: 1000 MΩ OR MORE AT DC 500 V  
 OPERATING TEMPERATURE RANG: -40 °C ~ +15 °C  
 SCREW TORQUE VALUE: 10.54 Lb-In. / 0.8Nm △ 1.2Nm  
 △ WIRE RANGE: 22 - 10 AWG / 22-14 AWG △ 0.34-2.5mm<sup>2</sup>  
 1) MOLDED PARTS: Thermoplastic, UL 94 V-0 BLACK  
 2) TERMINAL: BRASS, 0.8t.  
 3) TERMINAL SCREWS: STEEL, M3.5  
 △ Critical dimension: △  
 △ APPROVAL: △  
 PART NO.:

YK 441 xx 0 x x 00G

NO. OF POLES  
 02: 2 POLES  
 03: 3 POLES  
 04: 4 POLES  
 ...  
 30: 30 POLES

RoHS compliant (lead=4%)  
 In copper Alloy  
 MARK 0: "0" MARK  
 1: "ANY" MARK

TERMINAL & SCREW PLATED  
 0: TERMINAL & SCREW: G/F  
 1: TERMINAL: G/F, SCREW: Zinc  
 2: TERMINAL: Sn, SCREW: G/F  
 3: TERMINAL: Sn, SCREW: Zinc

<b>Amphenol ANYTEK</b>				<b>CUSTOMER COPY</b>			
ALL RIGHTS RESERVED. REPRODUCTION OR ISSUE TO THIRD PARTIES IN ANY FORM WHATSOEVER IS NOT PERMITTED WITHOUT WRITTEN AUTHORITY FROM THE PROPRIETOR. PROPERTY OF ANYTEK TECHNOLOGY CO., LTD							
TITLE		YK-441 Series		DWG NO.		8YK0001-441	
PART NO.		YK441xx0xx00G		DWG NO.		8YK0001-441	
APPROVED		DESIGNED	DRAWN	CUST NO.		Tolerance	
		Guoxue 2017.05.08	Guoxue 2017.05.08			X. ±0.50 X.X ±0.30 X.XX ±0.10 X° ±1°	
		SHEET: 01/01		UNIT: mm SCALE: NONE		REV.: L	

# Mouser Electronics

Authorized Distributor

Click to View Pricing, Inventory, Delivery & Lifecycle Information:

## Amphenol:

[YK4410203000G](#) [YK4410303000G](#) [YK4410403000G](#) [YK4410503000G](#) [YK4410603000G](#) [YK4410703000G](#)  
[YK4410803000G](#) [YK4410903000G](#) [YK4411003000G](#) [YK4411103000G](#) [YK4411203000G](#) [YK4411303000G](#)  
[YK4411403000G](#) [YK4411503000G](#) [YK4411603000G](#) [YK4411703000G](#) [YK4411803000G](#) [YK4411903000G](#)  
[YK4412003000G](#) [YK4412103000G](#) [YK4412203000G](#) [YK4412303000G](#) [YK4412403000G](#) [YK4412503000G](#)  
[YK4412603000G](#) [YK4412703000G](#) [YK4412803000G](#) [YK4412903000G](#) [YK4413003000G](#)