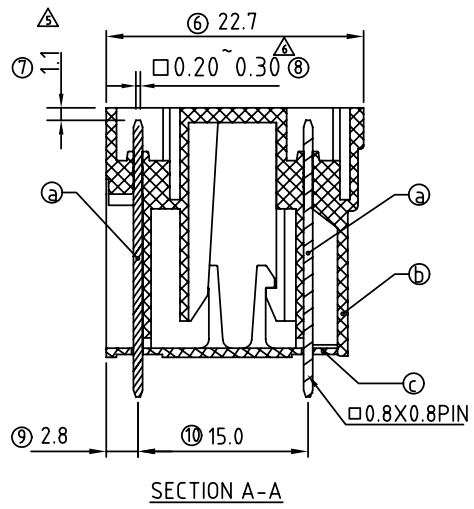
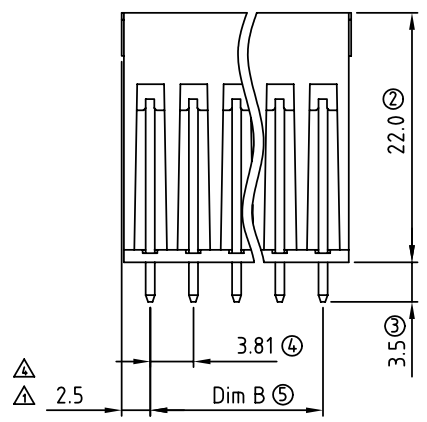


P.C.B. LAYOUT



SECTION A-A

| SIGN | DATE | DESCRIPTION | APPROVER |
|------|------------|---|----------|
| △ | 3/27'06 | Dim changed form 2.6mm to 2.3mm | Marvin |
| △ | 3/27'06 | Dim changed form (N-1)×3.81+5.0 to (N-1)×3.81+4.6 | Marvin |
| △ | 1/29'07 | Soldering temperature changed from 245° to 250° | Tony |
| △ | 2009.06.02 | Dim changed form 2.3mm to 2.5mm | Jacke |
| △ | 2010.01.22 | The demension is changed from 1.60mm to 1.10mm | Jacke |
| △ | 2010.01.22 | The demension is changed from 0.40mm to 0.20 0.30mm | Jacke |
| △ | 2010.03.31 | The material is changed from Brass to Copper | Jacke |

THIS IS CAD DRAWING, DO NOT REVISE MANUALLY!!!

Material:

- △ ● Item ① Male contact pin: Copper Tin plated
- Item ② Terminal(housing): Thermoplastic (UL94V-0)
- Item ③ Terminal(cover): Thermoplastic (UL94V-0)

Electrical:

- Voltage rating: 300V
- Current rating: 10A
- Withstanding Voltage: 1.6 KV
- Operating temperature: -40°C to +115°C
- △ ● Soldering temperature: 250°C±10°C/5 Sec
- Safety Approval: us

VL xx 3 1 x 0 xxxx G

- No. OF POLES ————
 - 04: 2×2 POLES
 - ⋮
 - 48: 2×24 POLES
- COLOR
- 0 Black (RAL9005)
 - 2 Red (RAL3001/D)
 - 3 Orange(RAL2011/P)
 - 4 Yellow(RAL1018/A)
 - 5 Green(RAL6018/T)
 - 6 Blue (RAL5015/A)
 - 8 Grey(RAL7035/D)
- G: Pb<40000ppm
- 0000: "@ " Logo (Standard)
 - 000A: "ANYTEK" Mark
- Any special item by customer request. please contact sales department.

| Poles | 02 | 03 | 04 | 05 | 06 | 07 | 08 | 09 | 10 | 11 | 12 | 13 | |
|-------|-------|-------|-------|-------|-------|-------|-------|-------|-------|-------|-------|-------|--|
| Dim L | 8.81 | 12.62 | 16.43 | 20.24 | 24.05 | 27.86 | 31.67 | 35.48 | 39.29 | 43.10 | 46.91 | 50.72 | |
| Dim B | 3.81 | 7.62 | 11.43 | 15.24 | 19.05 | 22.86 | 26.67 | 30.48 | 34.29 | 38.10 | 41.91 | 45.72 | |
| TOL | ±0.15 | | | ±0.20 | | | | ±0.25 | | | | | |
| Poles | 14 | 15 | 16 | 17 | 18 | 19 | 20 | 21 | 22 | 23 | 24 | | |
| Dim L | 54.53 | 58.34 | 62.15 | 65.96 | 69.77 | 73.58 | 77.39 | 81.20 | 85.01 | 88.82 | 92.63 | | |
| Dim B | 49.53 | 53.34 | 57.15 | 60.96 | 64.77 | 68.58 | 72.39 | 76.20 | 80.01 | 83.82 | 87.63 | | |
| TOL | ±0.30 | | | | ±0.35 | | | | | | | | |

| | | | | | | | |
|---|--|--------------------------------|------------|------------------------|----------|-------------|------------|
| <h1>ANYTEK</h1> | | | | <h2>CUSTOMER COPY</h2> | | | |
| ALL RIGHTS RESERVED. REPRODUCTION OR ISSUE TO THIRD PARTIES IN ANY FORM WHATSOEVER IS NOT PERMITTED WITHOUT WRITTEN AUTHORITY FROM THE PROPRIETOR. PROPERTY OF ANYTEK TECHNOLOGY CO., LTD | | | | | | | |
| TITLE | | VL-3.81mm Vertical 180° Series | | | | | |
| PART NO. | | VLxx31x0xxxxG | | | DWG NO. | | 8VL0101 |
| APPROVED | | CHECKED | DESIGNED | DRAWN | CUST NO. | | |
| | | | Jacke | Jacke | | | |
| | | | 2010.01.22 | 2010.01.22 | | | |
| | | | | | | UNIT: mm | X. ±0.50 |
| | | | | | | SCALE: NONE | X.X ±0.30 |
| | | | | | | | X.XX ±0.10 |
| | | | | | | | X° ±1° |
| | | | | SHEET: 01/01 | | REV: F | |

Mouser Electronics

Authorized Distributor

Click to View Pricing, Inventory, Delivery & Lifecycle Information:

[Amphenol:](#)

[VL1031500000G](#) [VL1631500000G](#) [VL1831500000G](#)