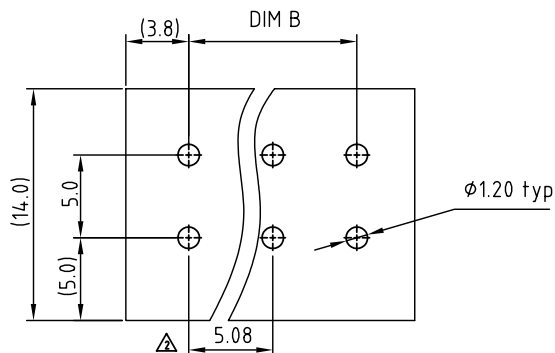
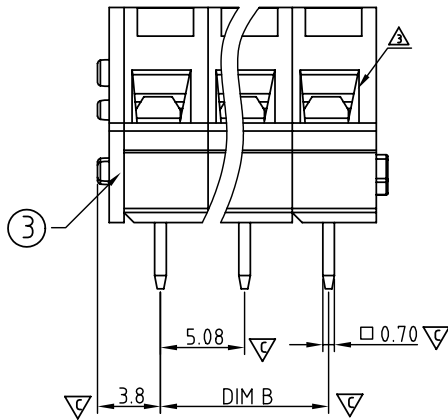
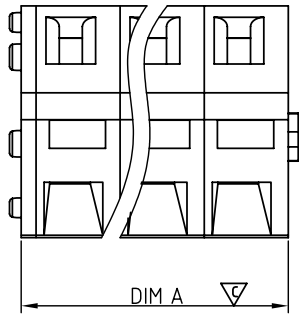
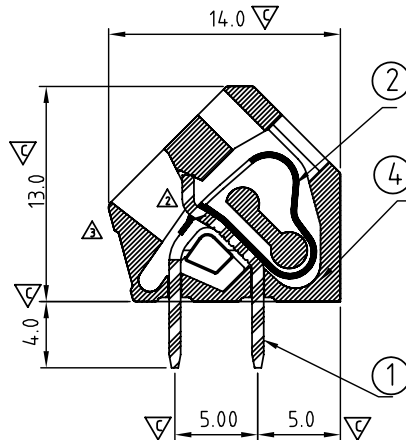


SIGN	DATE	DESCRIPTION	APPROVER
△	01/27'07	The Soldering temperature from 245° to 250°	Aaron
△	10/09'12	Update the drawing	Da cheng
△	04/18'13	Update the drawing	Da cheng

THIS IS CAD DRAWING, DO NOT REVISE MANUALLY!!!



△ P.C.B. LAYOUT
Bottom view



△ Dimension

DIM A	Nx5.08+0.9
DIM B	(N-1)×5.08

△ N=Number of poles

POLES	DIM B	DIM A
1P	/	±0.10
2p-6p	±0.15	±0.20
7p-12p	±0.20	±0.25
13p-18p	±0.25	±0.30
19p-24p	±0.35	±0.40

△ Material

- Item ① Terminal body (Contact pin): Brass, Tin plated
- Item ② Spring clamp: Stainless steel
- Item ③ Terminal Cover: Thermoplastic (UL94V-0)
- Item ④ Terminal Body: Thermoplastic (UL94V-0)

Electrical

- Voltage rating: 300V
- Current rating: 15A
- Wire range:
 - Solid wire(AWG): 12-28
 - Stranded wire(AWG): 12-28
- △ ● Wire strip length: 5-6mm
- Withstanding Voltage: 1.6KV
- △ ● Operating temperature: -40°C to +115°C
- △ △ ● Soldering temperature: 260°C±5°C/5 Sec
- △ ● Safety Approval:
- △ ● Critical dimension: ▽

HG xx 30 x 0 xxxx G

Poles 01 1Contacts 02 2Contacts . . . 24 24Contacts	△△ Color 0 Black (RAL9005) 2 Red (RAL3001/D) 3 Orange(RAL2011/P) 4 Yellow(RAL1018/A) 5 Green(RAL6018/T) 6 Blue (RAL5015/A) 8 Grey(RAL7004/P) 9 White(RAL1102) C Multiple colors	RoHS compliant (lead<4%) In copper Alloy 0000 Standard @ Logo 000A Standard ANY Logo Any special item by customer request, please contact sales department.
---	--	---

ANYTEK

CUSTOMER COPY

ALL RIGHTS RESERVED. REPRODUCTION OR ISSUE TO THIRD PARTIES IN ANY FORM WHATSOEVER IS NOT PERMITTED WITHOUT WRITTEN AUTHORITY FROM THE PROPRIETOR. PROPERTY OF ANYTEK TECHNOLOGY CO., LTD

TITLE		HG 5.08mm Series			
PART NO.	HGxx30x0xxxxG		DWG NO.	8HG0101	
APPROVED	CHECKED	DESIGNED	DRAWN	CUST NO.	Tolerance
		Da cheng 2013.04.18	Da cheng 2013.04.18		X. ±0.50 X.X ±0.30 X.XX ±0.10 X° ±1°
SHEET: 01/01				UNIT: mm	
				SCALE: NONE	
				REV.: F	

Mouser Electronics

Authorized Distributor

Click to View Pricing, Inventory, Delivery & Lifecycle Information:

Amphenol:

[HG0230800000G](#) [HG0330800000G](#) [HG0430800000G](#) [HG0530800000G](#) [HG0630800000G](#) [HG0730800000G](#)
[HG0830800000G](#) [HG0930800000G](#) [HG1030800000G](#) [HG1130800000G](#) [HG1230800000G](#) [HG1330800000G](#)
[HG1430800000G](#) [HG1530800000G](#) [HG1630800000G](#) [HG1730800000G](#) [HG1830800000G](#) [HG1930800000G](#)
[HG2030800000G](#) [HG2130800000G](#) [HG2230800000G](#) [HG2330800000G](#) [HG2430800000G](#) [HG0330500000G](#)