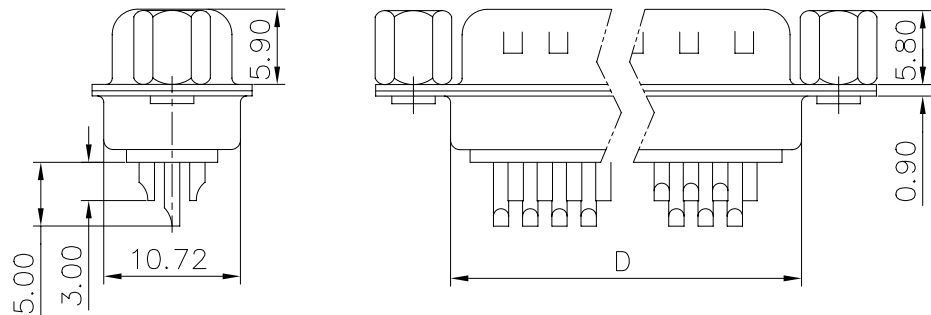
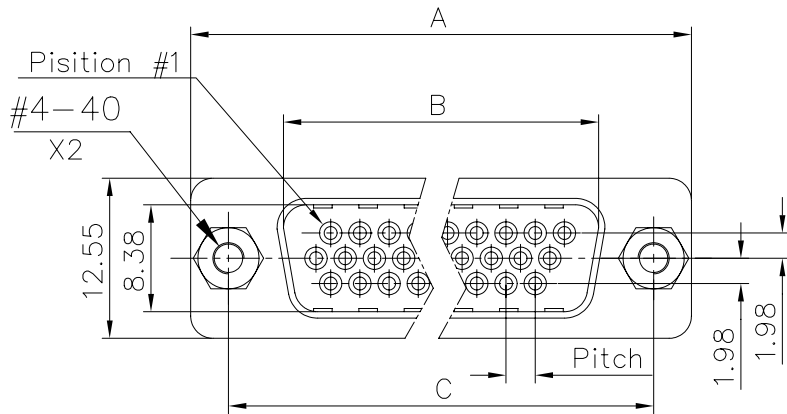


This document is the property of Amphenol Corporation and is delivered on the express condition that it is not to be disclosed, reproduced or used, in whole or in part, for manufacture or sale by anyone other than Amphenol Corporation without its prior consent, & that no right is granted to disclose or to use any information in this document.



Customer drawing

| DIM.S | A | B | C | D | Pitch |
|-------|-------|-------|-------|-------|-------|
| 15 | 30.84 | 16.92 | 24.99 | 19.28 | 2.29 |
| 26 | 39.24 | 24.70 | 33.32 | 27.51 | 2.29 |
| 44 | 53.04 | 38.96 | 47.04 | 41.30 | 2.29 |
| 62 | 69.32 | 55.42 | 63.50 | 57.71 | 2.41 |

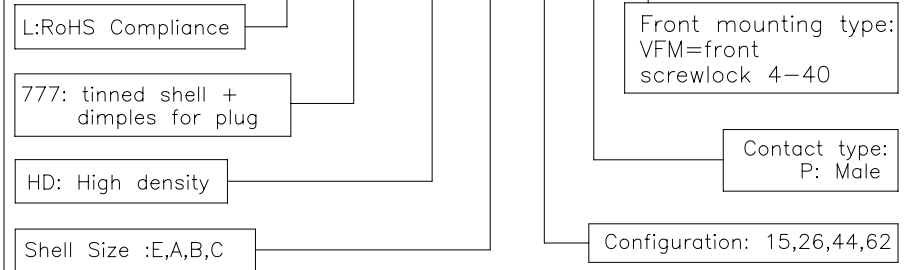
| REVISIONS | | | | |
|-----------|-----|-------------|----------|----------|
| SYM | ECN | DESCRIPTION | DATE | APPROVED |
| 1 | | | 10/10/08 | |

D-SUB TECHNICAL DATA

SHELL : Steel 2.5um (100u") min tin over 1.25um (50u") min nickel
 BODY : Glass filled thermoplastic.
 Flame retardant to UL94 V-0 Color Black
 CONTACTS : Brass
 15u" min gold over 50u" min nickel on mating area
 100u" min tin over 50u" min nickel on solder area
 SCREWLOCK : Brass, 50u" min nickel
 ELECTRICAL : Voltage rating : 1000 V RMS at 50 Hz
 Current rating 3A.
 Insulation resistance >1000 M Ohms
 Contact resistance 20 mOhms max.
 CLIMATIC : Temperature range -55 °C up to 125°C
 MARKING : Amphenol-...(Series No.)
 Commercial reference
 Manufacturing date

PRODUCT CODE

L 777 HD X XX P VF



| UNLESS OTHERWISE SPECIFIED TOLERANCES | APPROVAL | | DATE |
|---------------------------------------|----------|---------------------|------------------------|
| | U.S. | METRIC | |
| .X +/- | 0.50 | DRAWN | Christine.cui 10/10/08 |
| .XX +/- | 0.30 | CHECKED | lik.wang 10/10/08 |
| .XXX +/- | 0.20 | CHECKED | |
| FRACTIONS +/- | | DRAWING FILE : | |
| ANGLES +/- | 2° | ANGLE OF PROJECTION | |
| FOR MATERIALS AND FINISHES SEE NOTES | | DIMENSIONS | |
| REMOVE SHARP EDGES | | U.S. INCHES | |
| | | METRIC MM | |

| | | |
|--|-----------------|--------------|
| Amphenol® | | |
| TITLE stamped and formed connector, HD series | | |
| SIZE | DRAWING NO. | REV. |
| A4 | C L777HDXXXXPVF | 1 |
| SCALE | NONE | SHEET 1 OF 1 |

Mouser Electronics

Authorized Distributor

Click to View Pricing, Inventory, Delivery & Lifecycle Information:

[Amphenol:](#)

[L777HDE15PVF](#) [L777HDA26PVFM](#) [L777HDB44PVFM](#) [L777HDC62PVF](#) [L777HDB44PVF](#) [L777HDC62PVFM](#)
[L777HDE15PVFM](#) [L777HDA26PVF](#)