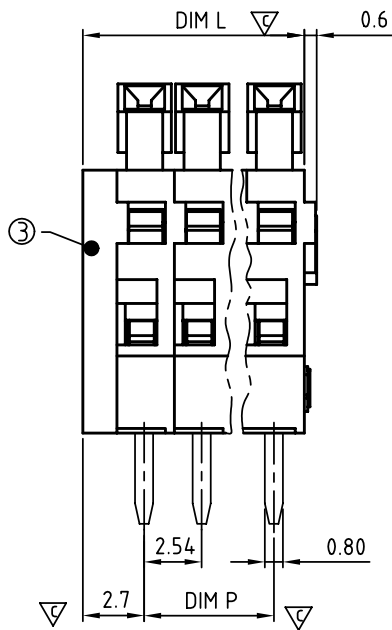
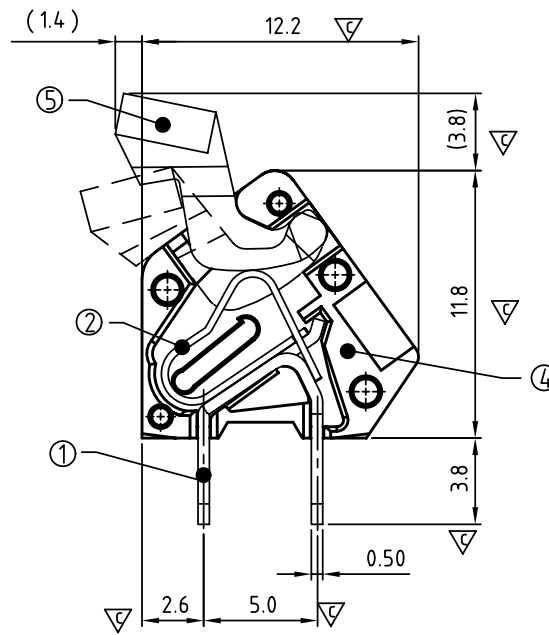


P.C.B LAYOUT



N=Number of poles



Dimension

| | |
|-------|-----------------------|
| DIM L | $N \times 2.54 + 1.5$ |
| DIM P | $(N-1) \times 2.54$ |

N=Number of poles

| POLES | DIM L | DIM P |
|--------|------------|------------|
| 2p-8p | ± 0.15 | ± 0.15 |
| 9p-12p | ± 0.25 | ± 0.20 |

| SIGN | DATE | DESCRIPTION | APPROVER |
|------|----------|---|----------|
| △ | 01/27/07 | The soldering temperature from 245° to 250° | Aaron |
| △ | 12/13/10 | The operating temperature from -30°C to +105°C to -40°C to +115°C | Runner |
| △ | 12/13/10 | The color is changed | Runner |
| △ | 05/05/12 | Lever material is changed | Runner |

THIS IS CAD DRAWING, DO NOT REVISE MANUALLY!!!

Material

- Item ① Solder Pin(Contact pin) : Brass ,Tin plated
 - Item ② Spring clamp : Stainless steel
 - Item ③ Terminal cover: Thermoplastic (UL94V-0)
 - Item ④ Terminal housing: Thermoplastic (UL94V-0)
 - Item ⑤ Lever: Thermoplastic (UL94 HB)
- Electrical cULus
- Voltage rating:150V
 - Current rating:4A
 - Wire range:
 - Solid wire(AWG):22-28
 - Stranded wire(AWG):22-28
 - Wire strip length:6-7mm
 - Withstanding Voltage:1.3KV
 - Operating temperature:-40°C to +115°C
 - Soldering temperature:250°C±10°C/5 Sec
 - Safety approval :
 - Critical dimension: ▽

HE xx 50 x 0 xxxx G

RoHS compliant
(lead<4%)
In copper Alloy

Poles
02 2 POLES
03 3 POLES
...
12 12 POLES

0 Black(RAL9005)
3 Orange(RAL2011/P)△
5 Green(RAL6018/T)
6 Blue(RAL5015/A)
8 Grey (RAL7004/P)

0000 Standard @ Logo
000A Standard ANY Logo
Any special item by
customer request,
please contact sales
department.

ANYTEK

CUSTOMER COPY

ALL RIGHTS RESERVED. REPRODUCTION OR ISSUE TO THIRD PARTIES IN ANY FORM WHATSOEVER IS NOT PERMITTED WITHOUT WRITTEN AUTHORITY FROM THE PROPRIETOR. PROPERTY OF ANYTEK TECHNOLOGY CO., LTD

| | | | | |
|--------------|---------------|---------------------------|---------------------|------------|
| TITLE | | HE 2.54 series With lever | | |
| PART NO. | HExx50x0xxxxG | DWG NO. | 8HE0101 | |
| APPROVED | CHECKED | DESIGNED | DRAWN | CUST NO. |
| | | Runner 2012.05.05 | Aaron 2007.01.27 | |
| SHEET: 01/01 | | | | Tolerance |
| UNIT: mm | | | | X. ±0.50 |
| SCALE: NONE | | | | X.X ±0.30 |
| | | | | X.XX ±0.10 |
| | | | | X° ±1° |

Mouser Electronics

Authorized Distributor

Click to View Pricing, Inventory, Delivery & Lifecycle Information:

Amphenol:

[HE0250300000G](#) [HE0350300000G](#) [HE0450300000G](#) [HE0550300000G](#) [HE0650300000G](#) [HE0750300000G](#)
[HE0850300000G](#) [HE0950300000G](#) [HE1050300000G](#) [HE1150300000G](#) [HE1250300000G](#)