

NOTES:

1. MATERIALS AND FINISH (IN MICRO-INCHES)

- BODY = ZINC DIECAST (PER ASTM B86, UNS Z33520), MATTE TIN PL. 100 MIN. THICK OVER NICKEL PL. 100 MIN. THICK OVER COPPER PL.(250 MIN./300 MAX.) THICK
- INSULATOR = PTFE PER ASTM D1710, COLOR: NATURAL
- HOUSING = PPE+PS, COLOR: PER TABLE
- FERRULE = COPPER (PER ASTM B75, UNS C11000 OR C12200) NICKEL PL. 100 MIN. THICK OVER COPPER STRIKE

CONTACT SUPPLIED SEPARATELY AS P/N: FKCP03301A (5,000 PCS. REEL)
 FERRULE MAY BE PURCHASED SEPARATELY AS P/N: 923-10168 (100 PCS. TRAY)
 CABLE DEFINITIONS PER AMPHENOL REPORT DE825

2. ELECTRICAL:

- A. IMPEDANCE: 50 OHM, NOMINAL
- B. FREQUENCY RANGE: DC-3.0 GHz
- C. VSWR(RETURN LOSS): 1.400 (-15.6dB) MAX.(DC-2.0 GHz) (MATED PAIR) 1.500 (-13.9dB) MAX.(2.0-3.0 GHz)
- D. DIELECTRIC WITHSTANDING VOLTAGE: 800 VRMS, MIN.

3. MECHANICAL:

- A. DURABILITY: 100 CYCLES MIN.
- B. TEMPERATURE RANGE: -40° C TO 85° C
- C. USCAR-17 COMPLIANT
- D. INTERFACE PER DIN 72594-1

4. PACKAGING:

- A. QUANTITY: TRAY PACK
- B. MARKING: TRAY TO BE MARKED "AMPHENOL,3FAI-NXSJ-COIWO, AND DATE CODE"

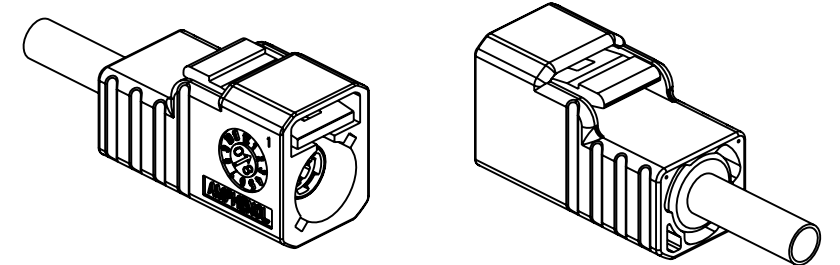
5. CABLE ASSEMBLY INSTRUCTIONS PER 349-50801

THIRD ANGLE PROJ.

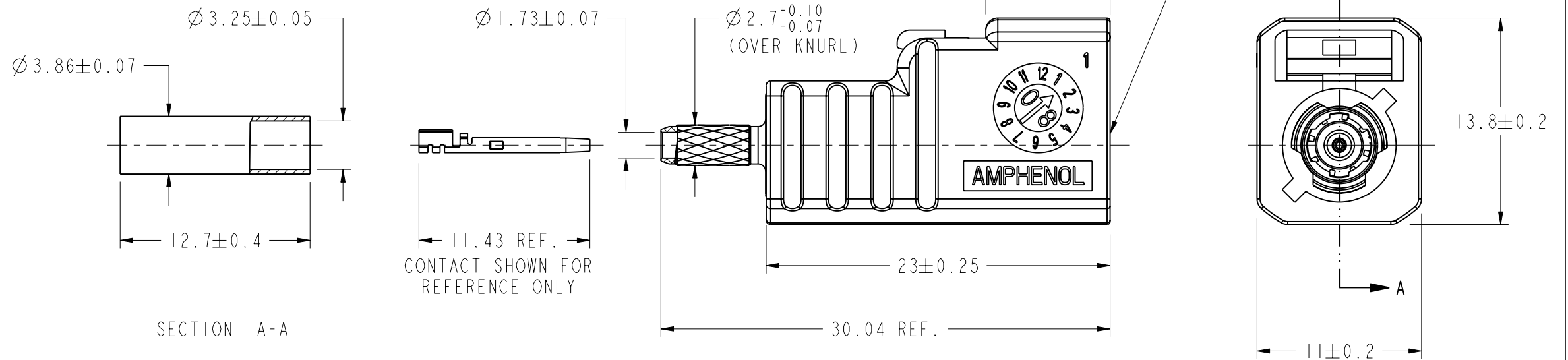
REVISIONS

| REV | DESCRIPTION | DATE | ECO | APPR |
|-----|-----------------|-----------|-------|------|
| A | RELEASE TO MFG. | 29-Dec-09 | ----- | SH |

**CONFIGURATION CONTROL:
NO CHANGES PERMITTED TO DRAWING WITHOUT
PPAP QUALIFIED CUSTOMER APPROVAL**



SCALE 1.500



SEE TABLE FOR
PART NUMBER, COLOR,
AND KEY CODING

- "C" KEYING SHOWN -

| CODING | DRAWING NO. | COLOR | RAL NO. |
|--------|-----------------|----------------|---------|
| A | 3FAI-NASJ-COIWO | JET BLACK | 9005 |
| B | 3FAI-NBSJ-COIWO | CREAM | 9001 |
| C | 3FAI-NCSJ-COIWO | SIGNAL BLUE | 5005 |
| D | 3FAI-NDSJ-COIWO | CLARET VIOLET | 4004 |
| E | 3FAI-NESJ-COIWO | LEAF GREEN | 6002 |
| F | 3FAI-NFSJ-COIWO | NUT BROWN | 8011 |
| G | 3FAI-NGSJ-COIWO | BLUE GREY | 7031 |
| H | 3FAI-NHSJ-COIWO | HEATHER VIOLET | 4003 |
| I | 3FAI-NISJ-COIWO | BEIGE | 1001 |
| K | 3FAI-NKSJ-COIWO | CURRY | 1027 |
| L | 3FAI-NLSJ-COIWO | CARMINE RED | 3002 |
| M | 3FAI-NMSJ-COIWO | PASTEL ORANGE | 2003 |
| N | 3FAI-NNSJ-COIWO | PASTEL GREEN | 6019 |
| Z | 3FAI-NZSJ-COIWO | WATER BLUE | 5021 |

CUSTOMER OUTLINE DRAWING

ALL OTHER SHEETS ARE FOR INTERNAL USE ONLY

UNLESS OTHERWISE SPECIFIED, DIMENSIONS ARE IN METRIC AND TOLERANCES ARE:
 <0.5mm ±0.05mm 0.5 - 6mm ±0.1mm 6 - 30mm ±0.2mm 30 - 120mm ±0.3mm ANGLES ±1°

NOTICE - These drawings, specifications, or other data (1) are, and remain the property of Amphenol corp. (2) must be returned upon request; and (3) are confidential and not to be disclosed to any person other than those to whom they are given by Amphenol Corp. the finishing of these drawings, specifications, or other data by Amphenol Corp., or to any other person to anyone for any purpose is not to be regarded by implication or otherwise in any manner licensing, granting rights to permitting such holder or any other person to manufacture, use or sell any product, process or design, patented or otherwise, that may in any way be related to or disclosed by said drawings, specifications, or other data.

| | | | | |
|---|--------------------------------------|-------------------|--|---|
| MATERIAL | DRAWN A.LIU | DATE 23-Sep-08 | TITLE GEN 3.0 FAKRA JACK, COI CABLE GROUP, TAPE AND REEL CONTACT (SUPPLIED SEPARATELY) | <p style="text-align: center;">Amphenol RF</p> Danbury CT USA, Tainan, Taiwan, Shenzhen, China www.amphenolrf.com |
| REFERENCE EAR # 2865 AND CONFIGURATION LEVEL: RELEASE | ENGINEER J.YANG | DATE 23-Sep-08 | SCALE: 3.0:1.0 SHEET 2 OF 2 | |
| FINISH | APPROVED B.C. GLEISSNER | DATE 23-Sep-08 | DWG SIZE B | DRAWING NO. 3FAI-NXSJ-COIWO |
| | CAD FILE I:\FAKRA\3FAI-NXSJ-COIWO | | REV A | ITEM NO. 3FAI-NXSJ-COIWO |
| | | | | PART NO. 3FAI-NXSJ-COIWO |

Mouser Electronics

Authorized Distributor

Click to View Pricing, Inventory, Delivery & Lifecycle Information:

[Amphenol:](#)

[3FA1-NCSJ-C01W0](#)