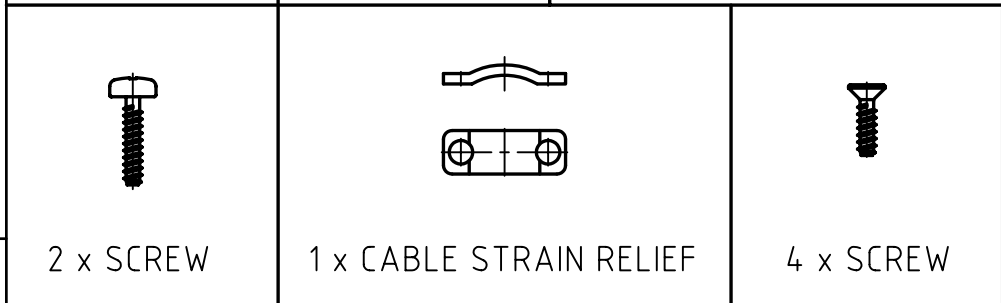
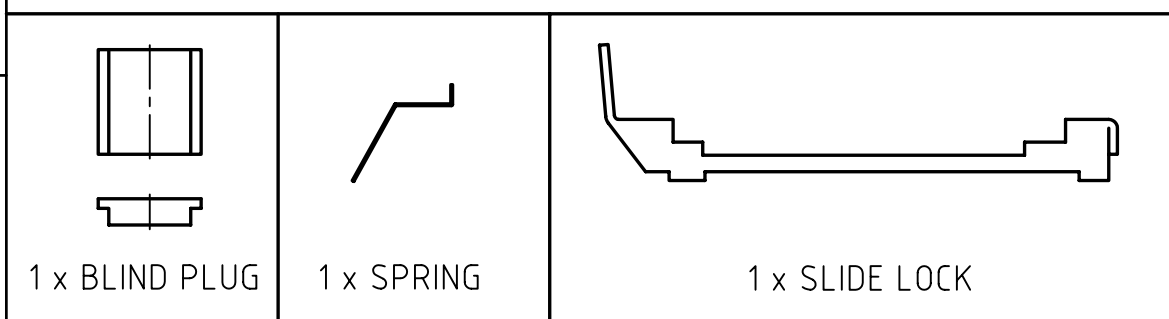
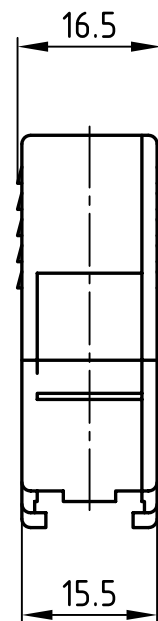
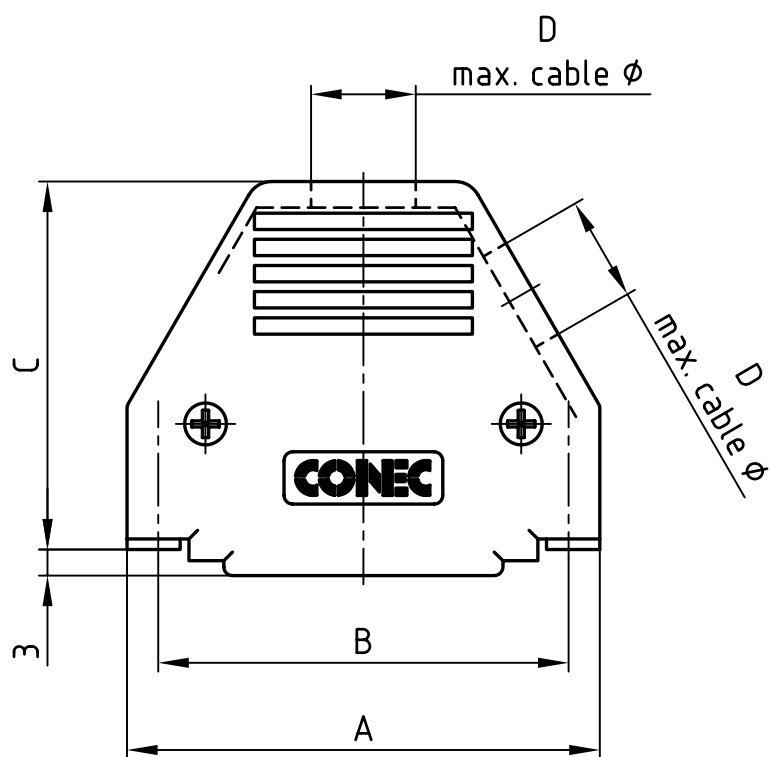


used for: D-SUB



POS.	A	B	C	D max. cable ϕ	Part No. Bulk package	Part No. Single package
9	32.0	25.0	36.7	6.3	165X11359X	165X11359XE
15	40.0	33.3	38.2	8.0	165X11369X	165X11369XE
25	54.2	47.0	42.2	10.5	165X11379X	165X11379XE
37	70.6	63.5	47.2	11.5	165X11389X	165X11389XE

Directive 2002/95/EC
"RoHS"
Compliant

MATERIAL:

HOOD: ABS UL 94 V-0; METALLIZED
 BLIND PLUG: ABS UL 94 V-0; METALLIZED
 SPRING: STAINLESS STEEL
 SLIDE LOCK: STEEL; NICKEL PLATED
 SCREWS: STEEL; NICKEL PLATED
 CABLE STRAIN RELIEF: STEEL; NICKEL PLATED

THIS DRAWING MAY NOT BE COPIED OR REPRODUCED IN ANY WAY, AND MAY NOT BE PASSED ON TO A THIRD PARTY WITHOUT WRITTEN PERMISSION.
 OWNERSHIP AND COPYRIGHT OF CONEC GmbH
 DO NOT ALTER CAD DRAWING BY HAND

				tolerance				scale: 1:1	
				material:		SEE NOTES			
				2010		date		name	
				drawn		14.04.		Lehmenkühler	
				appd.		14.04.		Koch	
				norm					
				d-old					
				a		Origin			
rev.		description		date		name			

title:		PLASTIC HOOD	
9-37pos. with top and side cable exit with slide lock			
dwg no:		AutoCAD 2006	
16K1A2630		DIN-A	
		4	
product no:		SEE TABLE	
		sh: 1/1	

4 3 2 1

F

F

E

E

D

D

C

C

B

B

A

A

4 3 2 1

Mouser Electronics

Authorized Distributor

Click to View Pricing, Inventory, Delivery & Lifecycle Information:

[Amphenol:](#)

[165X11369X](#)