

# D-SUB METAL HOOD

Variable cable entries – 9-50 pos. – Without jack screws



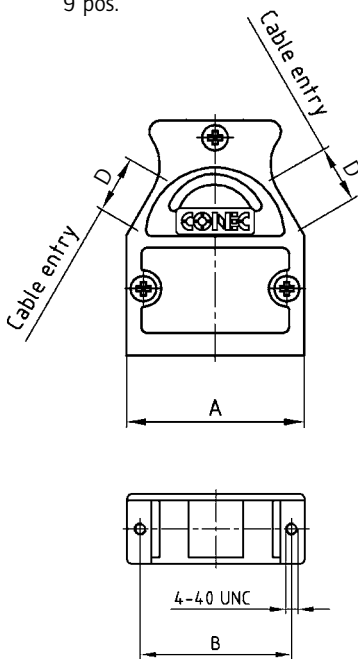
RoHS compliant – CSA listed, File No.: LR 115000-1 – UL listed, File No.: E202784

## DESCRIPTION

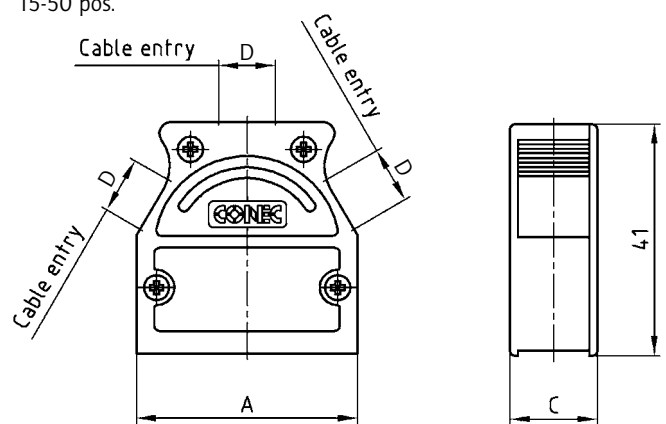
- Zinc die-cast hood, EMI/RFI shielding
- Design:
  - 9 pos. = two side cable entries,
  - 15-50 pos. = three cable entries
- Internal ground
- Cable clamp must be ordered separately
- Packaging: in bulk or in pack units as a single package

## PRODUCT DRAWING

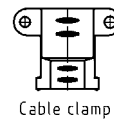
9 pos.



15-50 pos.



| No. of pos. | A     | B     | C     | D           |
|-------------|-------|-------|-------|-------------|
| 09          | 31.00 | 25.00 | 14.80 | 12 x 9.0    |
| 15          | 39.00 | 33.30 | 14.80 | 12 x 9.0    |
| 25          | 53.00 | 47.00 | 14.80 | 12 x 9.0    |
| 37          | 69.50 | 63.50 | 14.80 | 12 x 9.0    |
| 50          | 67.00 | 61.10 | 17.60 | 14.3 x 11.6 |



## ORDER DATA

| D-SUB METAL HOOD |  |             |
|------------------|--|-------------|
| No. of pos.      | Design   | Part Number |
| 09               | Hood / Two side cable entries                      | 600X51109X  |
| 15               | Hood / Three cable entries                         | 600X51115X  |
| 25               | Hood / Three cable entries                         | 600X51125X  |
| 37               | Hood / Three cable entries                         | 600X51137X  |
| 50               | Hood / Three cable entries                         | 600X51150X  |
| 09-37            | Cable clamp, accept cable diameter from 3 to 12 mm | 160X10139X  |
| 50               | Cable clamp, accept cable diameter from 5 to 14 mm | 160X10149X  |

For single packaged add the letter „E“ at the end of the part number.

# Mouser Electronics

Authorized Distributor

Click to View Pricing, Inventory, Delivery & Lifecycle Information:

[Amphenol:](#)

[600X51125X](#) [600X51137X](#)