

NOTES:

1. MATERIALS OF CONSTRUCTION:
 HOUSING, BODY, SPACER, HEX NUT & FERRULE = BRASS (ASTM-B16 H02, C36000), NICKEL PLATED (.000100 MIN THICK)
 CONTACT PIN = PHOSPHOR BRONZE (QQ-B-750), GOLD PLATED (.000030 MIN THICK)
 LOCKWASHER = BRASS (QQ-B-613), NICKEL PLATED (.000100 MIN THICK)
 INSULATOR & SLEEVE = PTFE PER ASTM D 1710 OR EQUIV.
 GASKET = SILICONE RUBBER, COLOR RED

2. ELECTRICAL:

- A. IMPEDANCE = 50 OHMS, NOMINAL
- B. FREQUENCY RANGE = DC - 3.0 GHz
- C. VSWR (RETURN LOSS) = 1.200 MAX. (20.8 dB)

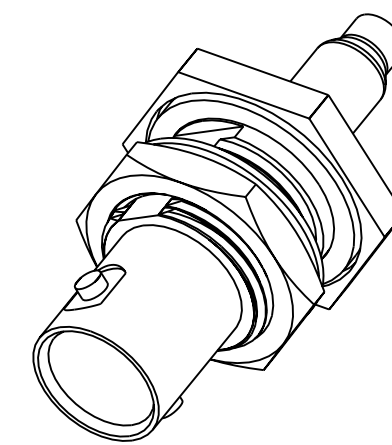
3. PHYSICAL:

- A. TEMPERATURE RANGE = -65°C TO +165°C (-85°F TO +329°F)
- B. INTERFACE = MEETS MIL-STD-348, BNC SERIES, FIGURE 301.2
- C. CRIMP TOOLS = CONTACT: .028 HEX, FERRULE: .130 HEX

4. PACKAGING:

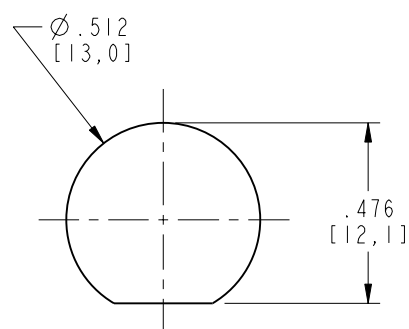
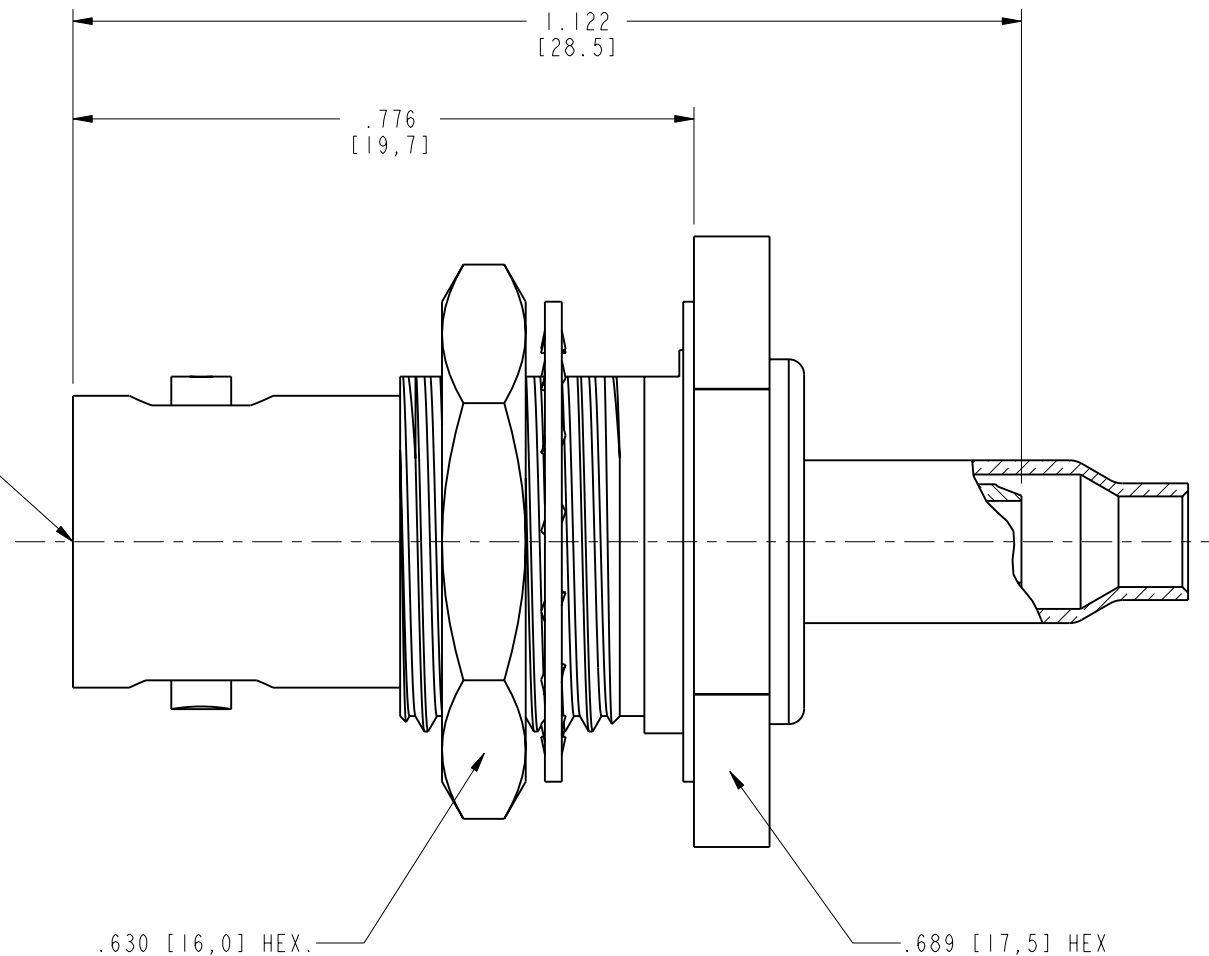
- A. INDIVIDUALLY BAG EACH CONNECTOR
- B. MARK BAG: NORTEL CPC: A0602206
 AMPHENOL P/N: 31-40706
 DATE CODE: (YYWW)

31-40706		REVISIONS			
DRAWING NO.	REV	DESCRIPTION	DATE	ECO	APPR
THIRD ANGLE PROJ.	A	RELEASE TO MFG.	7/17/03	44556	CPM

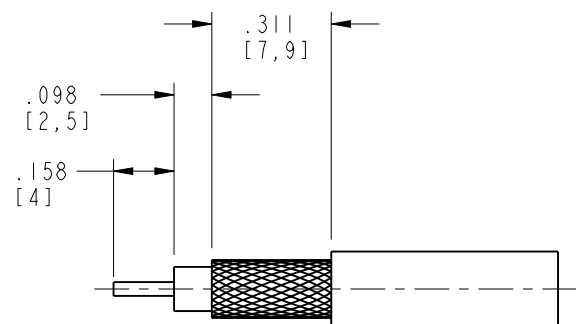


SCALE 2.000

INTERFACE PER
MIL-STD-348
BNC SERIES



RECOMMENDED MOUNTING
HOLE DIMENSIONS
SCALE 2.000



RECOMMENDED CABLE
STRIPPING DIMENSIONS
SCALE 2.000

CUSTOMER OUTLINE DRAWING
ALL OTHER SHEETS ARE FOR INTERNAL USE ONLY

UNLESS OTHERWISE SPECIFIED, DIMENSIONS ARE IN MM (INCHES) AND TOLERANCES ARE: 0.5 - 6mm ±0.2mm 6 - 30mm ±0.4mm 30 - 120mm ±0.6mm	MATERIAL	DRAWN C. McGRATH	DATE 7/10/03	TITLE BNC BULKHEAD CRIMP JACK (FOR RG-316/U, 174/U, 188A/U CABLE)		Amphenol Amphenol Corporation Communication and Network Products Division Danbury, CT U.S.A. 06810	
	REFERENCE NORTEL CPC A0602206	ENGINEER B.C. GLEISSNER	DATE 7/10/03				
NOTICE - These drawings, specifications, or other data (1) are, and remain the property of Amphenol Corp. (2) must be returned upon request; and (3) are confidential and not to be disclosed to any person other than those to whom they are given by Amphenol Corp. The furnishing of these drawings, specifications, or other data by Amphenol Corp., or to any other person to anyone for any purpose is not to be regarded by implication or otherwise in any manner licensing, granting rights or permitting such holder or any other person to manufacture, use or sell any product, process or design, patented or otherwise, that may in any way be related to or disclosed by said drawings, specifications, or other data.	EAR# 1045 GEN# 31-71016-rfxb Assy.asm	APPROVED O. BARTHELMES	DATE 7/17/03	CODE ID 74868	DWG SIZE B	DRAWING NO. 31-40706	SCALE: 4.0:1 SHEET 2 OF 2
							REV A

Mouser Electronics

Authorized Distributor

Click to View Pricing, Inventory, Delivery & Lifecycle Information:

[Amphenol:](#)

[031-40706](#)