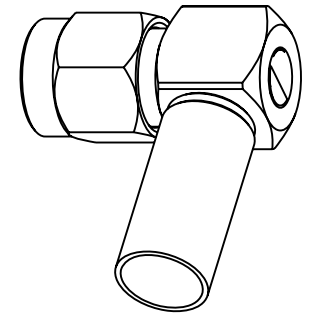


- NOTES:
- MATERIALS AND FINISHES:
 BODY - BRASS, GOLD PLATING
 CONTACT - BRASS, GOLD PLATING
 INSULATOR - PTFE, NATURAL
 COUPLING NUT - BRASS, GOLD PLATING
 - ELECTRICAL:
 A. IMPEDANCE: 50 OHM
 B. FREQUENCY RANGE: DC-12.4 GHz
 C. VSWR (RETURN LOSS): 1.35 MAX.
 D. DIELECTRIC WITHSTANDING VOLTAGE: 1000 VRMS, MIN.
 - MECHANICAL:
 A. DURABILITY: 500 CYCLES MIN.
 B. TEMPERATURE RANGE: - 65°C to +165°C
 - CRIMPED FERRULE
 HEX CRIMP SIZE .213"
 CONTACT PIN TO SOLDER

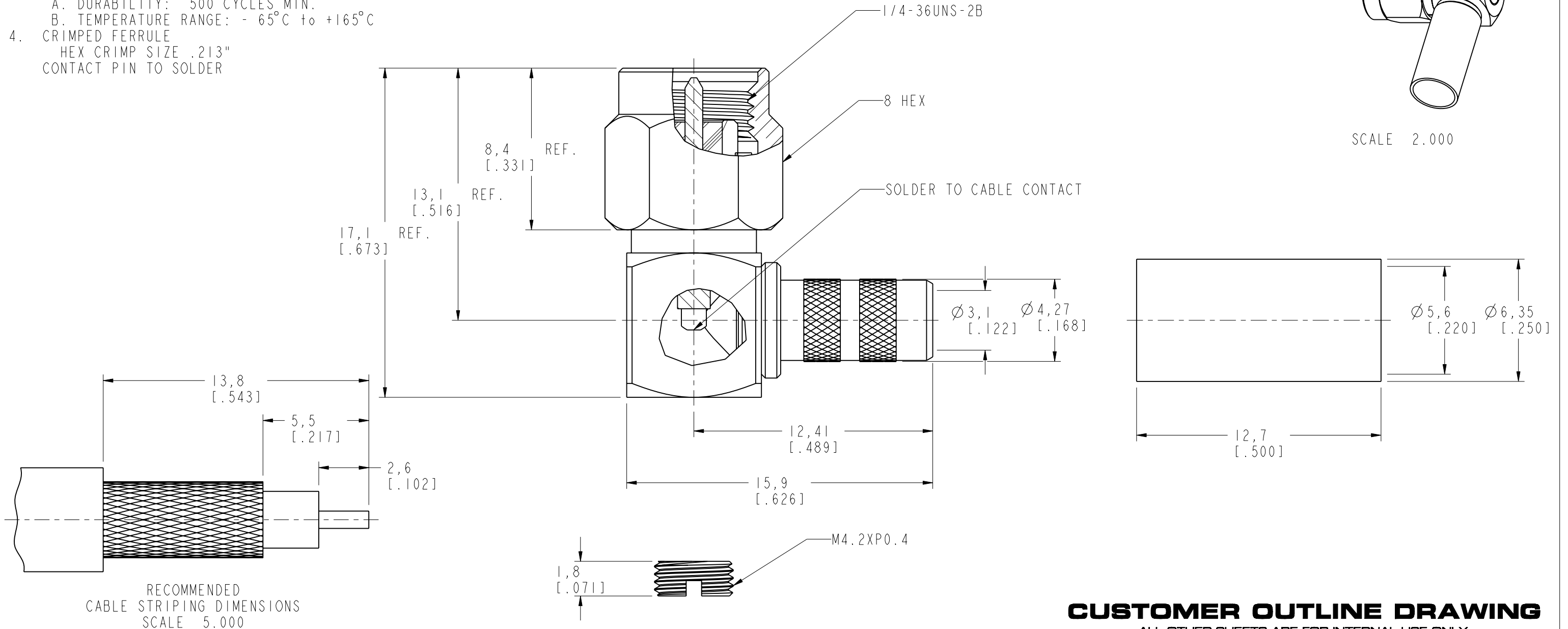
THIRD ANGLE PROJ.

REVISIONS

REV	DESCRIPTION	DATE	ECO	APPR
A	RELEASE TO MFG.	4/7/95	40351	PB/RAV
B	REDRAWN ON AUTO-CAD; ALL NOTES REWRITTEN & UPDATED	8/28/96	41528	CPM
C	SEE SHEET I.	9/6/02	44186	CPM
D	SEE SHEET I.	11-Dec-13	49829	SH



SCALE 2.000



CUSTOMER OUTLINE DRAWING
 ALL OTHER SHEETS ARE FOR INTERNAL USE ONLY

UNLESS OTHERWISE SPECIFIED, DIMENSIONS ARE IN METRIC AND TOLERANCES ARE:
 <0.5mm ±0.05mm 0.5 - 6mm ±0.1mm 6 - 30mm ±0.2mm 30 - 120mm ±0.3mm ANGLES ±1°

NOTICE - These drawings, specifications, or other data (1) are, and remain the property of Amphenol corp. (2) must be returned upon request; and (3) are confidential and not to be disclosed to any person other than those to whom they are given by Amphenol Corp. the furnishing of these drawings, specifications, or other data by Amphenol Corp., or to any other person to anyone for any purpose is not to be regarded by implication or otherwise in any manner licensing, granting rights to permitting such holder or any other person to manufacture, use or sell any product, process or design, patented or otherwise, that may in any way be related to or disclosed by said drawings, specifications, or other data.

MATERIAL	
REFERENCE	EAR 111-964413 EAR 966279-0
FINISH	

DRAWN	J.CHENG	DATE	06-Dec-13
ENGINEER	S.LI	DATE	06-Dec-13
APPROVED	S.HSIEH	DATE	11-Dec-13
CAD FILE			

TITLE	
SMA R/A CRIMP PLUG (FOR RG-55/U, 142A/U, RG-223/U, 400/U)	
SCALE: 5.0:1.0	SHEET 2 OF 2
DWG SIZE	REV
B	D

Amphenol RF	
Danbury CT USA, Tainan, Taiwan, Shenzhen, China www.amphenolrf.com	
DRAWING NO. SMA1112A4-10GT50G-223U-50	
ITEM NO. 11112AAC26GK5F	
PART NO. 901-9874	

Mouser Electronics

Authorized Distributor

Click to View Pricing, Inventory, Delivery & Lifecycle Information:

[Amphenol:](#)

[901-9874](#)