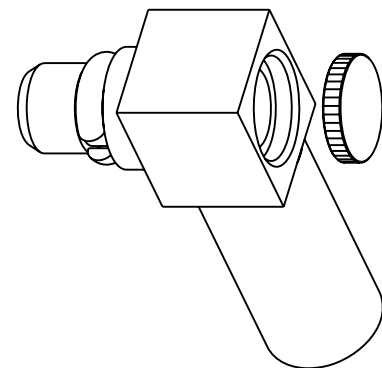


NOTES:

1. MATERIALS AND FINISH: (PLATING THICKNESS IN MICRO-INCHES)
 BODY BRASS, GOLD PLATED (.000030 [0.8UM] MIN THICK OVER NICKEL)
 CONTACT BRASS, GOLD PLATED (.000030 [0.8UM] MIN THICK OVER NICKEL)
 CAP BRASS, GOLD PLATED (.000005 [0.1UM] MIN THICK OVER NICKEL)
 FERRULE ANNEALED COPPER, GOLD PLATED (.000005 [0.1UM] MIN THICK OVER NICKEL)
 INSULATOR PTFE, NATURAL
2. ELECTRICAL:
 A. IMPEDANCE: 50 OHM
 B. FREQUENCY RANGE: DC - 6 GHZ
 C. DIELECTRIC WITHSTANDING VOLTAGE: 500 VRMS. MIN.
3. PHYSICAL:
 A. OPERATING TEMPERATURE = -65°C TO +165°C
 B. DURABILITY = 500 MATING CYCLES MINIMUM
4. FOR CABLE STRIPPING AND ASSEMBLY INSTRUCTIONS
 SEE 349-50598. USE CRIMP TOOL 227-944, DIE 227-1221-03,
 CAVITY "B" (.105 HEX)

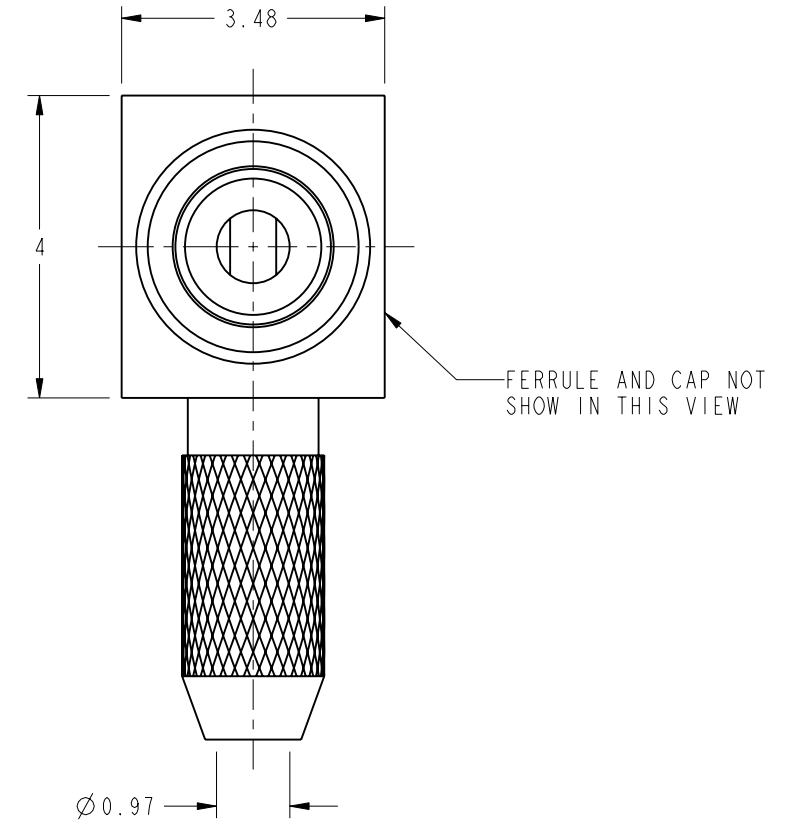
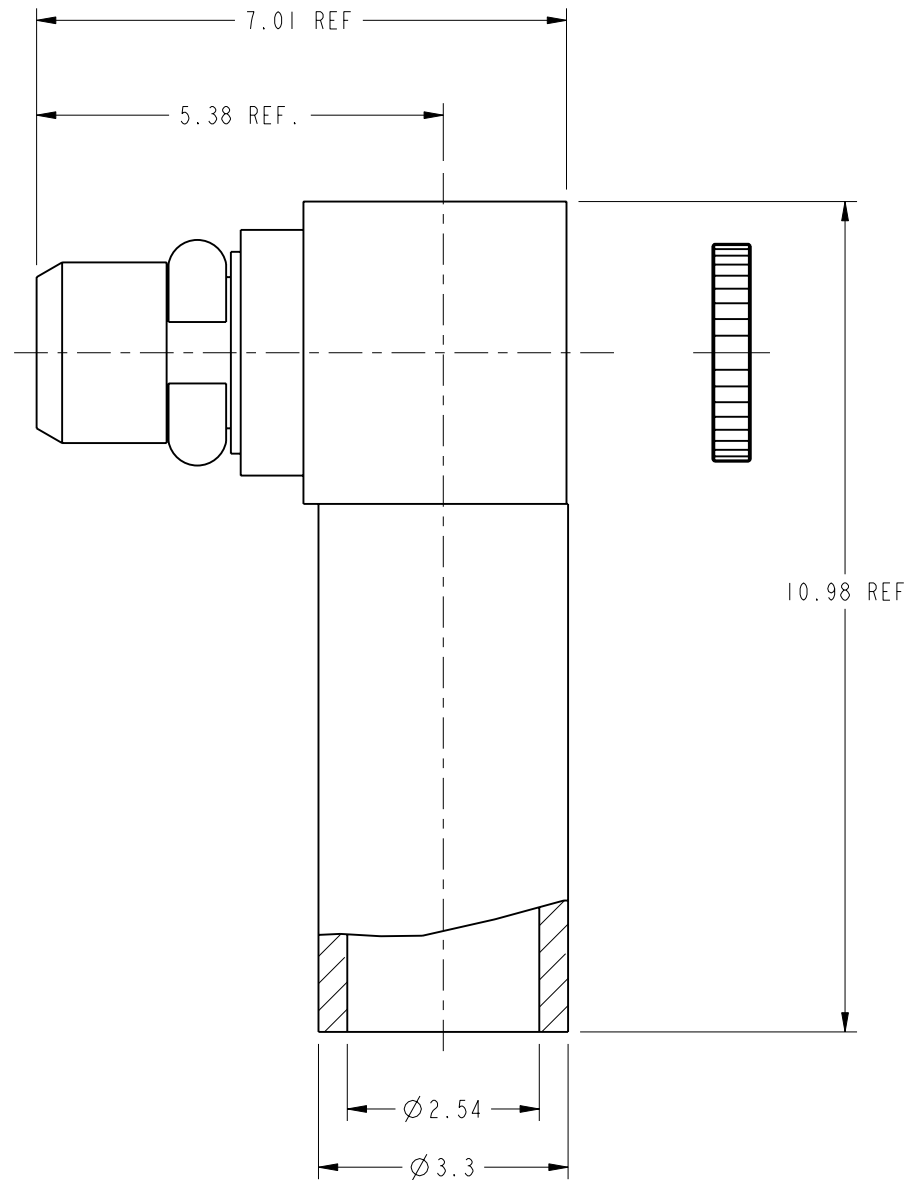


SCALE 5.000

THIRD ANGLE PROJ.

REVISIONS

REV	DESCRIPTION	DATE	ECO	APPR
A	RELEASE TO MFG.	29-Mar-95	40413	GT/RV
F	BODY WAS CHANGED	31-Mar-11	48431	SH
G	SEE SHEET 1	20-Dec-13	49752	RM



CUSTOMER OUTLINE DRAWING
 ALL OTHER SHEETS ARE FOR INTERNAL USE ONLY

UNLESS OTHERWISE SPECIFIED, DIMENSIONS ARE IN METRIC AND TOLERANCES ARE: <0.5mm ±0.05mm 0.5 - 6mm ±0.1mm 6 - 30mm ±0.2mm 30 - 120mm ±0.3mm ANGLES ±1°	MATERIAL	DRAWN R. MAO	DATE 19-Dec-13	TITLE MMCX RIGHT ANGLE PLUG FOR RG-178/U	Amphenol RF www.amphenolrf.com	
	NOTICE - These drawings, specifications, or other data (1) are, and remain the property of Amphenol corp. (2) must be returned upon request; and (3) are confidential and not to be disclosed to any person other than those to whom they are given by Amphenol Corp. the furnishing of these drawings, specifications, or other data by Amphenol Corp., or to any other person to anyone for any purpose is not to be regarded by implication or otherwise in any manner licensing, granting rights to permitting such holder or any other person to manufacture, use or sell any product, process or design, patented or otherwise, that may in any way be related to or disclosed by said drawings, specifications, or other data.	REFERENCE EAR 964571 0 615X-1320-950 GEN# ASSYM6 MMCX CONFIGURATION LEVEL:	ENGINEER S. LI			DATE 19-Dec-13
FINISH		APPROVED S. HSIEH	DATE 20-Dec-13	DWG SIZE B	REV G	ITEM NO. 908-43200
						PART NO. 908-43200

Mouser Electronics

Authorized Distributor

Click to View Pricing, Inventory, Delivery & Lifecycle Information:

[Amphenol:](#)

[908-43200](#)